



Chipsmall Limited consists of a professional team with an average of over 10 year of expertise in the distribution of electronic components. Based in Hongkong, we have already established firm and mutual-benefit business relationships with customers from,Europe,America and south Asia,supplying obsolete and hard-to-find components to meet their specific needs.

With the principle of “Quality Parts,Customers Priority,Honest Operation,and Considerate Service”,our business mainly focus on the distribution of electronic components. Line cards we deal with include Microchip,ALPS,ROHM,Xilinx,Pulse,ON,Everlight and Freescale. Main products comprise IC,Modules,Potentiometer,IC Socket,Relay,Connector.Our parts cover such applications as commercial,industrial, and automotives areas.

We are looking forward to setting up business relationship with you and hope to provide you with the best service and solution. Let us make a better world for our industry!



## Contact us

Tel: +86-755-8981 8866 Fax: +86-755-8427 6832

Email & Skype: info@chipsmall.com Web: www.chipsmall.com

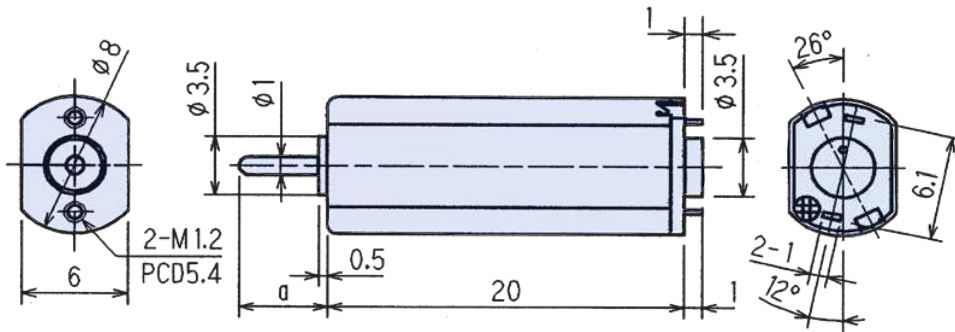
Address: A1208, Overseas Decoration Building, #122 Zhenhua RD., Futian, Shenzhen, China





Weight: 3.8 g

■ Outline UNIT:mm



■ Specifications

Model	Operating Voltage (V)	Rated Voltage (V)	No Load Speed (min <sup>-1</sup> )	No Load Current (mA)	Rated Load		Rated Load Speed (min <sup>-1</sup> )	Rated Load Current (mA)	Starting Torque		Starting Current (mA)	Shaft Length (mm)
					(gf·cm)	(mN·m)			(gf·cm)	(mN·m)		
PNN13RB08RD	1 to 3.5	3.0	12213	32	1.0	0.1	9765	81	5.1	0.5	280	a=6.9
PNN13RE85HD	1 to 3.5	3.0	13950	34	1.0	0.1	11525	91	5.9	0.6	361	a=6.0
PNN13RE09HD	1 to 3.5	3.0	16426	42	1.0	0.1	13833	109	6.5	0.6	467	a=6.0
PNN13RE09JD	1 to 3.5	3.0	16426	42	1.0	0.1	16426	109	6.5	0.6	467	a=10.5

■ Characteristics

