



Chipsmall Limited consists of a professional team with an average of over 10 year of expertise in the distribution of electronic components. Based in Hongkong, we have already established firm and mutual-benefit business relationships with customers from,Europe,America and south Asia,supplying obsolete and hard-to-find components to meet their specific needs.

With the principle of “Quality Parts,Customers Priority,Honest Operation,and Considerate Service”,our business mainly focus on the distribution of electronic components. Line cards we deal with include Microchip,ALPS,ROHM,Xilinx,Pulse,ON,Everlight and Freescale. Main products comprise IC,Modules,Potentiometer,IC Socket,Relay,Connector.Our parts cover such applications as commercial,industrial, and automotives areas.

We are looking forward to setting up business relationship with you and hope to provide you with the best service and solution. Let us make a better world for our industry!



Contact us

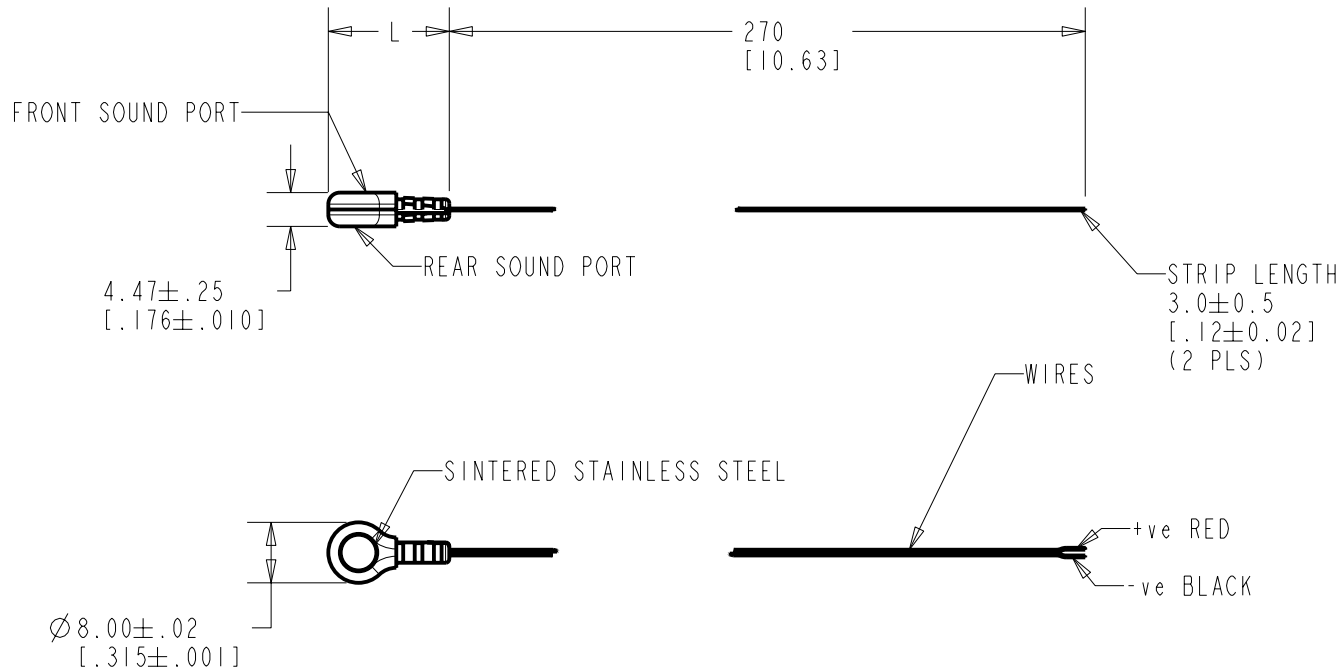
Tel: +86-755-8981 8866 Fax: +86-755-8427 6832

Email & Skype: info@chipsmall.com Web: www.chipsmall.com

Address: A1208, Overseas Decoration Building, #122 Zhenhua RD., Futian, Shenzhen, China



PNR-23868-000
SHT 1.1



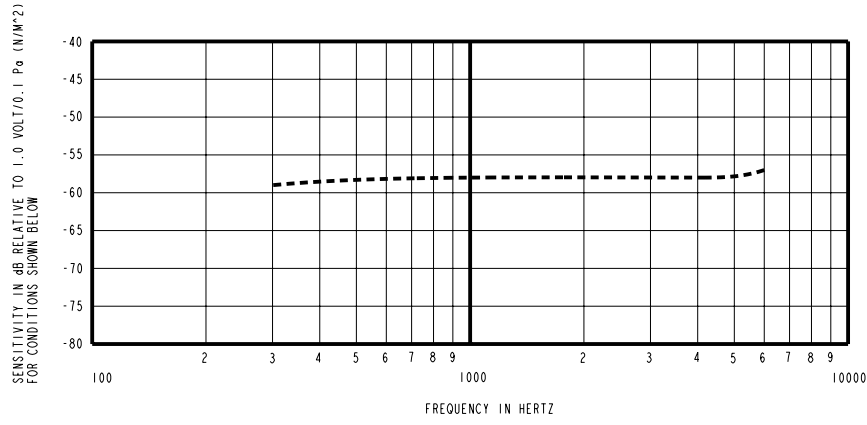
LENGTH	WIRE COLOR		WEIGHT GRAMS
	+ve	-ve	
L	RED	BLACK	13.1

DIMENSIONS IN MILLIMETERS [INCHES]

Revision	C.O. #	Implementation Date	RELEASE LEVEL	REVISION
A	MI0101431	4-3-07	Released	A

KNOWLES ELECTRONICS
ITASCA, ILLINOIS U.S.A.

SCALE: 1:1		DR. BY: LSY	DATE: 4-3-07
DO NOT SCALE DRAWING		CK. BY: GJP	DATE: 4-6-07
TITLE: BOOM MICROPHONE	PNR-23868-000	APP. BY: GJP	DATE: 4-6-07
OUTLINE DRAWING	SHT 1.1		



NOTES:

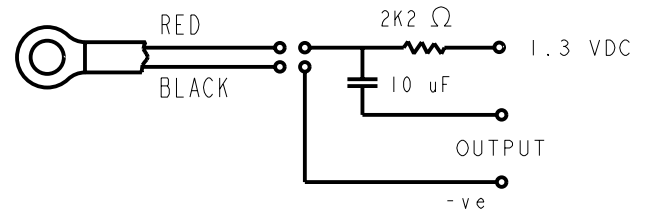
1. MICROPHONE TO BE FUNCTIONAL WITH 10 VDC SUPPLY.
2. SENSITIVITY VALUES INDICATED ON THIS SPECIFICATION ARE VALID AT 50% HUMIDITY.

3. SENSITIVITY

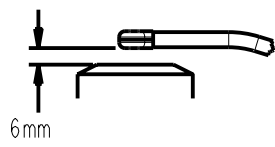
<u>FREQUENCY</u>	<u>MIN</u>	<u>NOM</u>	<u>MAX</u>
300	-65.0	-59.0	-57.0
1000	-62.0	-58.0	-56.0
4000	-62.0	-57.0	-54.0

4. TEST CONDITIONS:
HEAD OF BOOM EXPOSED TO 94 dB SPL SWEPT SOUND FIELD AT 6mm FROM VOICE APERTURE.
ARTIFICIAL VOICE:
B & K 4227 MOUTH SIMULATOR.

5. FOR MICROPHONE CAPSULE SPEC. SEE NR-25994-C97 SHEET 2.1



LEAD IDENTIFICATION
& TEST CIRCUIT



Revision	C.O. #	Implementation Date	RELEASE LEVEL	REVISION
A	MI0101431	4-3-07	Released	A

KNOWLES ELECTRONICS
ITASCA, ILLINOIS U.S.A.

SCALE:	1:1	DR. BY	DATE
DO NOT SCALE DRAWING		LSY	4-3-07
TITLE:	BOOM MICROPHONE	CK. BY	DATE
OUTLINE DRAWING	PNR-23868-000	GJP	4-6-07
	SHT 2.1	APP. BY	DATE
		GJP	4-6-07