



Chipsmall Limited consists of a professional team with an average of over 10 year of expertise in the distribution of electronic components. Based in Hongkong, we have already established firm and mutual-benefit business relationships with customers from,Europe,America and south Asia,supplying obsolete and hard-to-find components to meet their specific needs.

With the principle of “Quality Parts,Customers Priority,Honest Operation,and Considerate Service”,our business mainly focus on the distribution of electronic components. Line cards we deal with include Microchip,ALPS,ROHM,Xilinx,Pulse,ON,Everlight and Freescale. Main products comprise IC,Modules,Potentiometer,IC Socket,Relay,Connector.Our parts cover such applications as commercial,industrial, and automotives areas.

We are looking forward to setting up business relationship with you and hope to provide you with the best service and solution. Let us make a better world for our industry!



Contact us

Tel: +86-755-8981 8866 Fax: +86-755-8427 6832

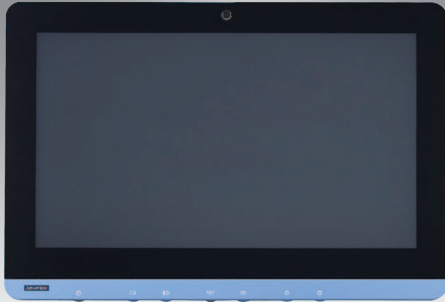
Email & Skype: info@chipsmall.com Web: www.chipsmall.com

Address: A1208, Overseas Decoration Building, #122 Zhenhua RD., Futian, Shenzhen, China



POC-W152C

15.6" Widescreen Point-of-Care Terminal



Features

- Runs on an Intel® Bay Trail J1900 processor with a fanless, high performance profile
- 15.6" HD resolution with edge-to-edge and bezel-less design
- USB 3.0 and PCIe(x1) expansion slot, mini PCIe slot x 1
- Offers a multi-touch option to deliver a truly unmatched touchscreen experience
- IP43 enclosure to protect against dust and water splashing for ease of cleaning
- Isolated design provides unique electric leakage protection for COM ports, LAN ports, and optional USB port
- Optional Bluetooth, RFID, inner WLAN module, Li-ion battery pack, and auto-focus 5MP camera

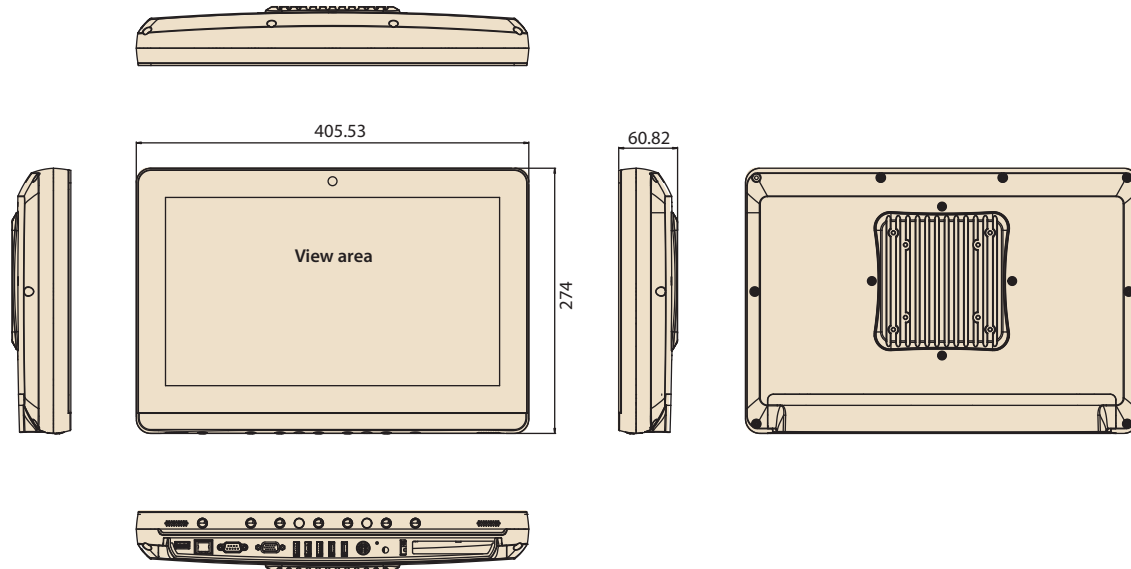


Specifications

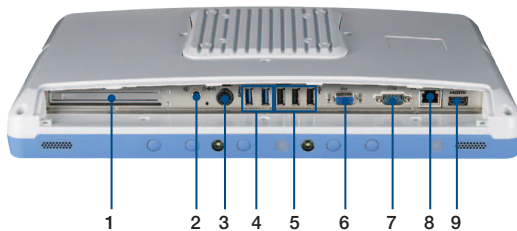
Computing System	CPU	Intel® Bay Trail J1900 Processor
	Memory	Up to 8GB DDR3L 1600MHz
	Graphics Controller	Intel HD Graphics
	Operating System	Windows 7, Windows 8 Embedded Standard, Windows 8 Industry Pro, Windows 10
Display	Display Size	15.6" TFT LCD (16:9)
	Type	VA
	Max Resolution	1366 x 768
	Max. Colors	16.7 M colors (6-bits+A-FRC)
	Pixel Pitch (mm)	0.252 x 0.252
	Viewing Angle	160°/160°
	Luminance	300 cd/m ²
	Contrast Ratio	500:1
Expansion Slot	Mini PCIe	1 x mini PCIe (half-size)
	mSATA	(optional)
	PCIe	1 x PCIe (x1)
Storage	HDD	1 x 2.5" SATA, Support 5V/12V, Height up to 9.5mm, Easy installation
I/O Ports	Serial Ports	1 x RS-232/422/485 serial port
	USB Ports	2 x USB 3.0 ports 3 x USB 2.0 ports
	HDMI	1 x HDMI
	VGA Port	1 x VGA
	LAN	1 x Gigabit Ethernet (RJ45 isolation)
	Audio	2 x speakers (2 W)
Power Supply	AC Model	External Power Adapter
	Input Voltage	100 ~ 240 V _{AC} , 1.2 ~ 0.5 A, 47 ~ 63 Hz
	Output Voltage	+18 V _{DC} , 5.55 A max. (100 watts)
Optional Function	UPS Battery	3S2P 4200mAH, supports at least 0.5 hr backup operation
	WLAN	Integrated wireless 802.11 a/b/g/n
	Bluetooth	Bluetooth 4.0
	Smart Card Reader	Complies with ISO7816-1,2,3,T=1 and T=0 protocol
	RFID	Passive RFID / Active RFID
	Web cam	2MP Camera / 5MP Camera
Touch Screen	Type	P-cap Multi-touch or Res TS, True Flat Design
	Light transmission	P-cap 90%; Res. TS 75%
	Controller	USB interface
	Surface	P-cap. AR / Res. AG
IP Rating	Front Panel	IP65
	Entire Panel	IP43
Certification		CE, FCC Class B, UL60601-1, EN60601-1 approved
Environment	Temperature	0 ~ 40° C (Operating); -20 ~ 60° C (Storage/Transportation)
	Humidity	10 ~ 90% @ 40° C (Non-condensing) (Operating), 5 ~ 90% (Storage/Transportation)
	Shock Resistance	20G peak acceleration (11ms duration)
Physical Characteristics	Dimensions (W x H x D)	405.53 x 274 x 60.82 mm
	Weight	4.65 Kg (10.25 lb)

Dimensions

Unit: mm

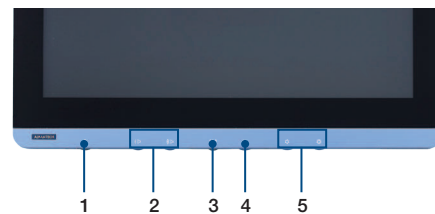


I/O Ports



- 1. PCIe (x4) card slot
- 2. Equipotential Terminal Pin
- 3. Power DC-in
- 4. 2 x USB 3.0 ports
- 5. 3 x USB 2.0 ports
- 6. VGA port
- 7. COM port
- 8. Gigabit Ethernet Interfaces (RJ-45)
- 9. HDMI-out port

Function Keys



- 1. Power
- 2. Volume Down/Up
- 3. Touchscreen Status Control
- 4. Read Light control
- 5. Brightness Decrease/Increase

Ordering Information

Part Number	Description	HDD	RAM
POC-W152-C11D-ACE	POC-152 bare w/J1900/P-cap	-	4G
POC-W152-C11D-ATE	POC-152 bare w/J1900/Res.	-	4G

Option Modules

Part Number	Description
POC-W152-BTTE	Battery module (4200mAh Li-ion battery)
POC-W152-WF0E	802.11 ac/a/b/g/n + Bluetooth 4.1

Accessories

Part Number	Description
PDC-W215-Stand-H1E (black, 2-8kg)	PDC-W215 STAND_H1-741 type_2-8kg Black
1702002600	Power Cable (USA) 1.8 M
1702002605	Power Cable (Europe) 1.8 M