



Chipsmall Limited consists of a professional team with an average of over 10 year of expertise in the distribution of electronic components. Based in Hongkong, we have already established firm and mutual-benefit business relationships with customers from,Europe,America and south Asia,supplying obsolete and hard-to-find components to meet their specific needs.

With the principle of “Quality Parts,Customers Priority,Honest Operation,and Considerate Service”,our business mainly focus on the distribution of electronic components. Line cards we deal with include Microchip,ALPS,ROHM,Xilinx,Pulse,ON,Everlight and Freescale. Main products comprise IC,Modules,Potentiometer,IC Socket,Relay,Connector.Our parts cover such applications as commercial,industrial, and automotives areas.

We are looking forward to setting up business relationship with you and hope to provide you with the best service and solution. Let us make a better world for our industry!



Contact us

Tel: +86-755-8981 8866 Fax: +86-755-8427 6832

Email & Skype: info@chipsmall.com Web: www.chipsmall.com

Address: A1208, Overseas Decoration Building, #122 Zhenhua RD., Futian, Shenzhen, China



POC-W211

21.5" Widescreen Point-of-Care Terminal with Fanless and Slim Design



Features

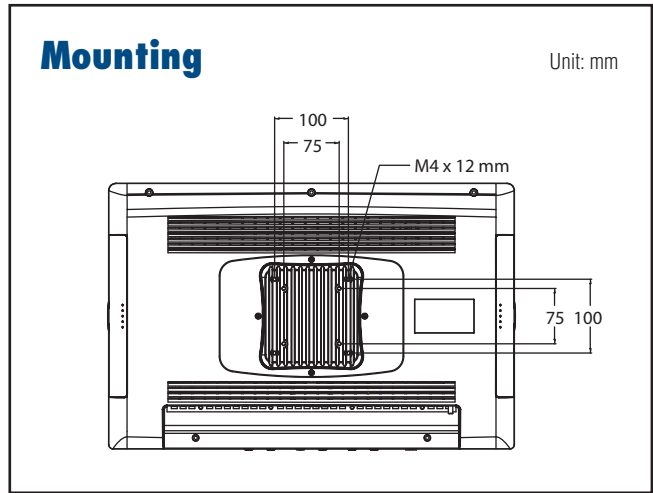
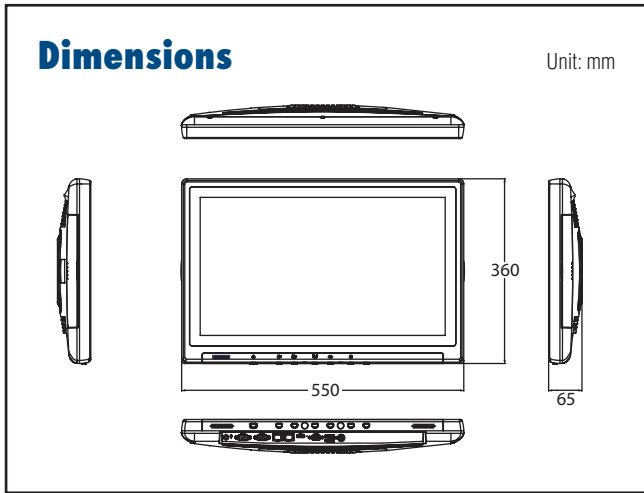
- Runs on an AMD processor with a fanless, high graphical profile
- Ultra-thin display, only 65 mm slim at its widest point
- Capable of displaying crystal clear images on its 21.5" wide-screen display
- Isolated design provides unique electric leakage protection for COM ports and LAN ports
- IPX1 water resistant enclosure with additional IP65 dust-tight front panel
- UL60601-1/EN60601-1 third edition certified ensures highest levels of safety and reliability
- Optional Bluetooth, RFID, Blu-ray RW, inner WLAN module, Li-ion battery pack and smart card



Specifications

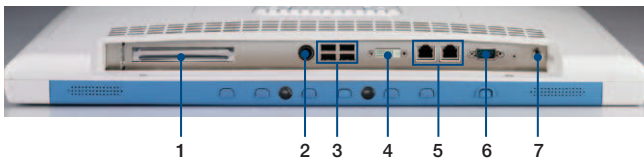
Computing System	Chipset	AMD eONTARIO + A55E	
	CPU	AMD Dual Core T56N 1.65 GHz (Dual Core 18W TDP)	
	Memory	Up to 8 GB DDR3 1333 MHz SDRAM	
	Graphics Controller	ATI Radeon RV7x0, support DX11, UVD3	
	Operating System	XPP, Win 7	
Display	Display Size	21.5" wide TFT color LCD (16:9)	
	Type	IPS	
	Max. Resolution	1920 x 1080 (H x V)	
	Max. Colors	16.7 M colors (6-bits+A-FRC)	
	Pixel Pitch (um)	247.5 x 247.5	
	Viewing Angle	178°/178°	
	Luminance	250 cd/m ²	
	Backlight	LED	
	LCD MTBF	30,000 Hours	
Expansion Slot	Mini PCIe	1 x Mini PCIe slot	
	PCI	1 x PCI (x1) slot	
I/O Ports	Serial Ports	1 x RS-232/422/485 (isolated) serial port	
	USB 2.0 Ports	6	
	VGA/DVI Port	1x DVI-I	
	Speakers (1W)	2	
	LAN	2 x Gigabit Ethernet (isolated) interfaces (RJ-45)	
Storage	HDD	1 x 2.5" SATA	
	DC Model	AC/DC adapter (Sinpro Model no.HPU101-107)	
Power Supply	Input Voltage	90 ~ 260 V _{AC} , 1.35 ~ 0.5 A, 47 ~ 63 Hz	
	Output Voltage	+18 V _{DC} 5.55 A max. (100 watts)	
Optional Functions	Battery	3S2P 4200mAH, support 2hr13min backup operation Adding the battery will prevent the PCIe card from being inserted	
	Smart Card Reader	Complies with ISO7816-1,2,3,T=1 and T=0 protocol	
	WLAN	Integrated wireless 802.11 a/b/g/n connection & internal antenna	
	RFID	13.56 MHz with ISO-15693 & ISO-14443A/B and active tag function	
	Bluetooth	Integrated Bluetooth v2.0 + EDR	
	Optical Devices	DVD-RW SATA, Blu-ray RW option	
Optional Touchscreen	Type	Analog Resistive (Clear & AG)	Projected Capacitive 2-points (AR)
	Resolution	Continuous	Continuous
	Light Transmission	80±3%	90±3%
	Controller	COM interface	USB interface
	Durability	350 million touches	Over 50 million touches
IP Rating	Front Panel	IP65	
	Entire System	IPX1	
Certifications	UL60601-1/EN60601-1, CE & FCC Class B certified, CCC		
Environment	Temperature	0 ~ 40° C (32 ~ 104° F) (Operating)	
	Humidity	10 ~ 95% @ 40° C (Non-condensing)	
	Shock Resistance	20 G peak acceleration (11 ms duration)	
Physical Characteristics	Dimensions (W x D x H)	550 x 360 x 65 mm (21.65" x 14.17" x 2.56")	
	Weight	6.9 kg (15.2 lb)	

*Test results by Passmark BatteryMon V2.1 with a minimum of peripherals connected.



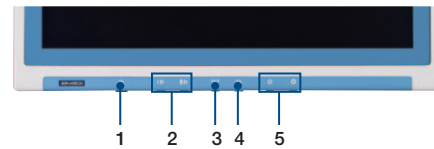
Rear I/O Ports

POC-W211-C01D-ATE Version



- (1) PCI card slot
- (2) Power DC-IN
- (3) 4 x USB 2.0 ports
- (4) DVI-I port
- (5) 2 x Gigabit Ethernet interfaces (RJ-45)
- (6) 1 x RS-232/422/485 (isolated) serial port
- (7) Equipotential Terminal Pin

Function Keys

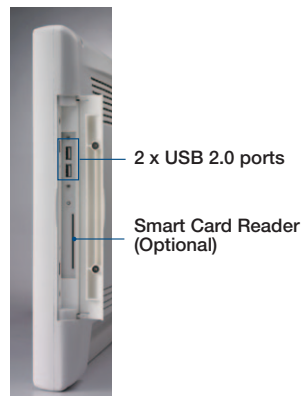


- (1) Power
- (2) Volume Up/Down
- (3) Touchscreen Status Control
- (4) Read Light Control
- (5) Brightness Increase/Decrease

Left Side I/O



Right Side I/O



Ordering Information

Part Number	Description
POC-W211-C01D-ATE	AMD T56N 1.65G/4G RAM/RES. TS/AG Type
POC-W211-C11D-ALE	AMD T56N 1.65G/4G RAM/RES. TS/Clear Type

Accessories

Part Number	Description
1702002600	Power Cable (USA) 1.8 M
1702002605	Power Cable (Europe) 1.8 M

Optional Modules

Part Number	Description
POC-W211-BTTAE	Battery module (4200mAh Li-ion battery) for POC-W211 AMD series
POC-W211-RF0E	RFID module for POC-W211
POC-W211-BT0E	Bluetooth module for POC-W211
POC-W211-WF0E	Wireless module (802.11a/b/g/n) for POC-W211
*POC-W211-SC0E	Smart Card module for POC-W211
*POC-W211-RW0E	DVD+/-RW module (LG SLIM 8X SATA) for POC-W211

*: modules only apply to POC-W211-C01D-ATE