



Chipsmall Limited consists of a professional team with an average of over 10 year of expertise in the distribution of electronic components. Based in Hongkong, we have already established firm and mutual-benefit business relationships with customers from,Europe,America and south Asia,supplying obsolete and hard-to-find components to meet their specific needs.

With the principle of "Quality Parts,Customers Priority,Honest Operation,and Considerate Service",our business mainly focus on the distribution of electronic components. Line cards we deal with include Microchip,ALPS,ROHM,Xilinx,Pulse,ON,Everlight and Freescale. Main products comprise IC,Modules,Potentiometer,IC Socket,Relay,Connector.Our parts cover such applications as commercial,industrial, and automotives areas.

We are looking forward to setting up business relationship with you and hope to provide you with the best service and solution. Let us make a better world for our industry!



## Contact us

Tel: +86-755-8981 8866 Fax: +86-755-8427 6832

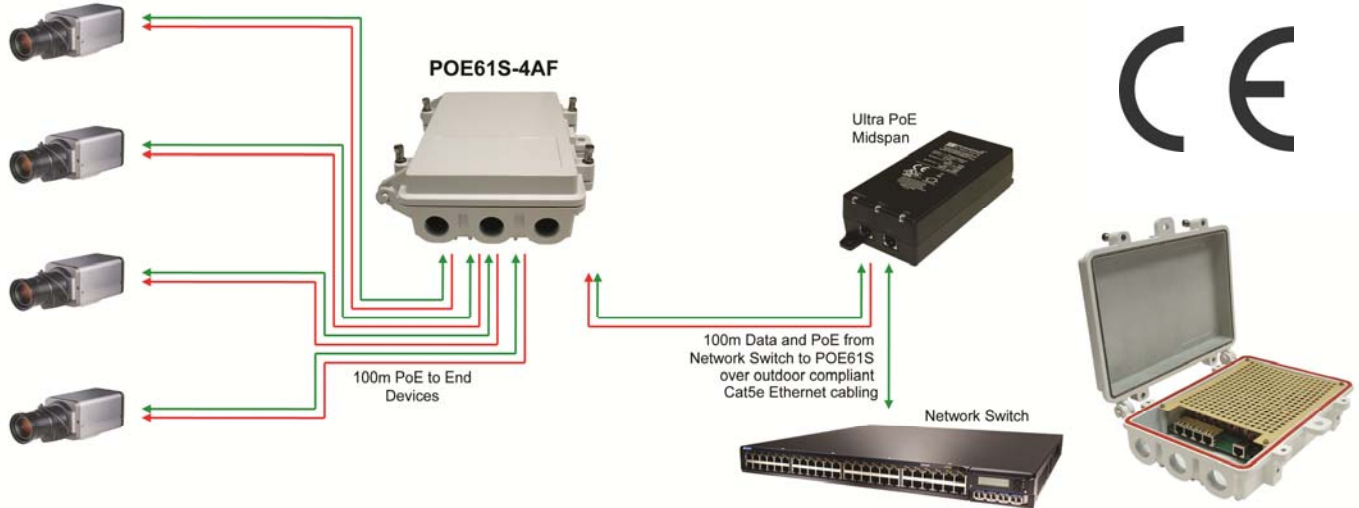
Email & Skype: info@chipsmall.com Web: www.chipsmall.com

Address: A1208, Overseas Decoration Building, #122 Zhenhua RD., Futian, Shenzhen, China





## 5 Port PoE Switch Powered by ULTRA PoE Extends Ethernet Data and PoE to External Devices



### Features

- 4 Ports 15.4W per port
- 10/100 Base-T Data Rates
- Circuit Boost to Compensate for Wire Drops
- IP67 Rating (Waterproof)
- -40-60°C operation
- Powered by Ultra PoE (No AC or DC input)
- Full power Every Port
- Extends Ethernet to 200meters from the network switch
- Optional Cable Glands for Waterproof Operation

### Applications

- IP Cameras
- Access Controls
- Wireless Access Points
- IP Telephones

### Safety Approvals

- CE

### Mechanical Characteristics

- Length: 252.1mm (9.93in)
- Width: 176mm (6.93in)
- Height: 78mm (3.07in)
- Weight: 1.7Kg (3.75lb)

### Mechanical Characteristics (With Mounting Bracket)

- Length: 300mm (11.81in)
- Width: 184mm (7.24in)
- Height: 82mm (3.23in)
- Weight: 2.83Kg (6.25lb)

### Output Specifications

Model	Output
POE61S-4AF-R	15.4W per port on 4 ports Total power-62W

Phihong is not responsible for any error, and reserves the right to make changes without notice. Please visit our website at [www.phihong.com](http://www.phihong.com) for the most up-to-date specifications and contact information.

**INPUT:**

The PoE extender can only receive power from an “Ultra PoE” midspan, “Mega PoE” midspan, or equivalent.

**DC Input Voltage Range**

45-57VDC

**Ripple and Regulation**

100mV maximum

**DC Input Current**

2.5A at 45VDC at maximum load

2.0A at 57VDC at maximum load

**Efficiency**

84% (typical) at full load and 48VDC

**PoE Standard Compliance**

**Input**

12.5K Internal Signature Resistance

**Output**

Detects a 25K Signature Resistance

**ENVIRONMENTAL:**

**Temperature**

Operation -40 to +60°C

Non-operation -40 to +85°C

**Humidity**

Operation 5 to 90%

**Cable**

Designed to operate up to 100 meters per IEEE 802.3, Cat 5e or Cat 6 rated for outdoor use

**Weather Proof Enclosure**

IP67 Compliant

**Warranty**

Limited Lifetime

**Immunity**

ESD: EN61000-4-2. Level 3

RS: EN61000-4-3. Level 3

EFT/Burst: EN61000-4-4. Level 2

Surge: EN61000-4-5. Level 2

CS: EN61000-4-6. Level 2

Note: RS and CS tested with POE75U-1UP

**EMC**

EN55022 Class B

FCC Part 15, Class B

**Isolation Test**

Input to Field Ground: 2121VDC for 1 minute

Output to Field Ground: 2121VDC for 1 minute

**Insulation Resistance**

Input and Output to field ground: >10 OHM

500VDC

**FEATURE:**

**Over Voltage/Current, Short Circuit Protection**

Outputs equipped with short circuit protection and overload protection as per 802.3af specification

**Indicators**

Ethernet Green Full Duplex, otherwise Half Duplex

Green 100M, otherwise 10M

Yellow blinking, Ethernet activity

POE INPUT On: Input power OK  
Off: No power or voltage low

OUTPUT On: POE output OK  
Off: No POE output

**Input and Output Data Connector**

RJ45

**Input/Output Case Ports**

3 ¾ NPT holes compatible with standard ¾ NPT conduit piping or Pihong wire glands

PGLAND750/PGLAND750-2 with fully waterproof AC and Ethernet cables.

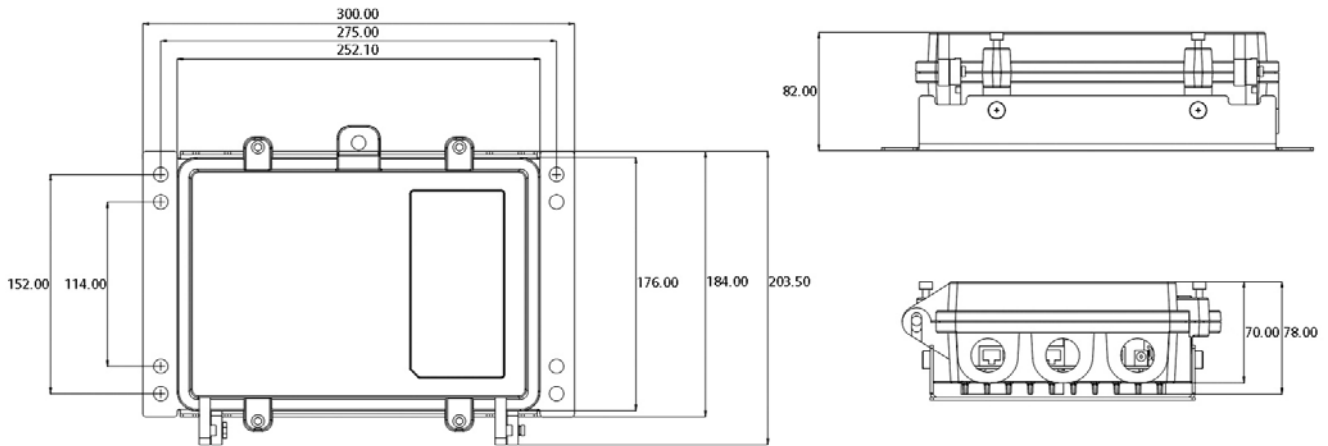
**Network Switch**

Network Switch must be Environment Rated B as per paragraph 33.4.1.1 of the IEEE802.3at standard.

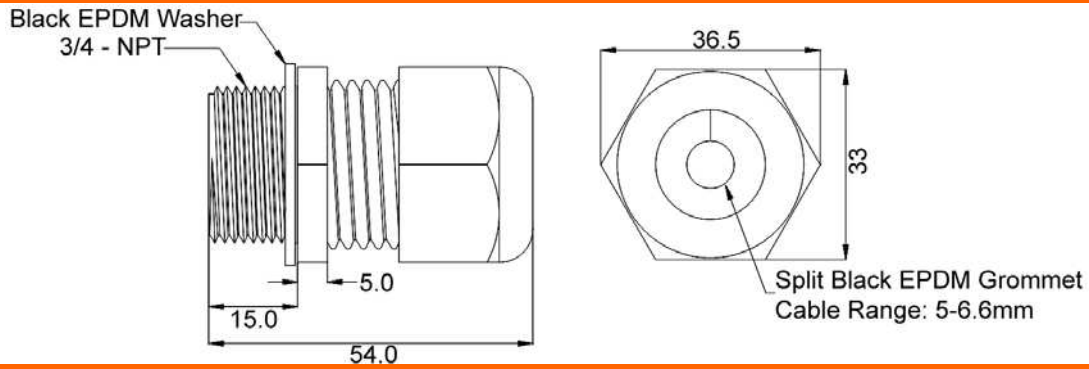


**POE61S Dimension Diagram unit:mm**

**WWW.PHIHONG.COM**



**Single Cable Gland - PGLAND750 Dimension Diagram unit:mm**



**Double Cable Gland - PGLAND750-2 Dimension Diagram unit:mm**

