



Chipsmall Limited consists of a professional team with an average of over 10 year of expertise in the distribution of electronic components. Based in Hongkong, we have already established firm and mutual-benefit business relationships with customers from,Europe,America and south Asia,supplying obsolete and hard-to-find components to meet their specific needs.

With the principle of "Quality Parts,Customers Priority,Honest Operation,and Considerate Service",our business mainly focus on the distribution of electronic components. Line cards we deal with include Microchip,ALPS,ROHM,Xilinx,Pulse,ON,Everlight and Freescale. Main products comprise IC,Modules,Potentiometer,IC Socket,Relay,Connector.Our parts cover such applications as commercial,industrial, and automotives areas.

We are looking forward to setting up business relationship with you and hope to provide you with the best service and solution. Let us make a better world for our industry!



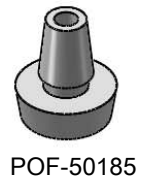
Contact us

Tel: +86-755-8981 8866 Fax: +86-755-8427 6832

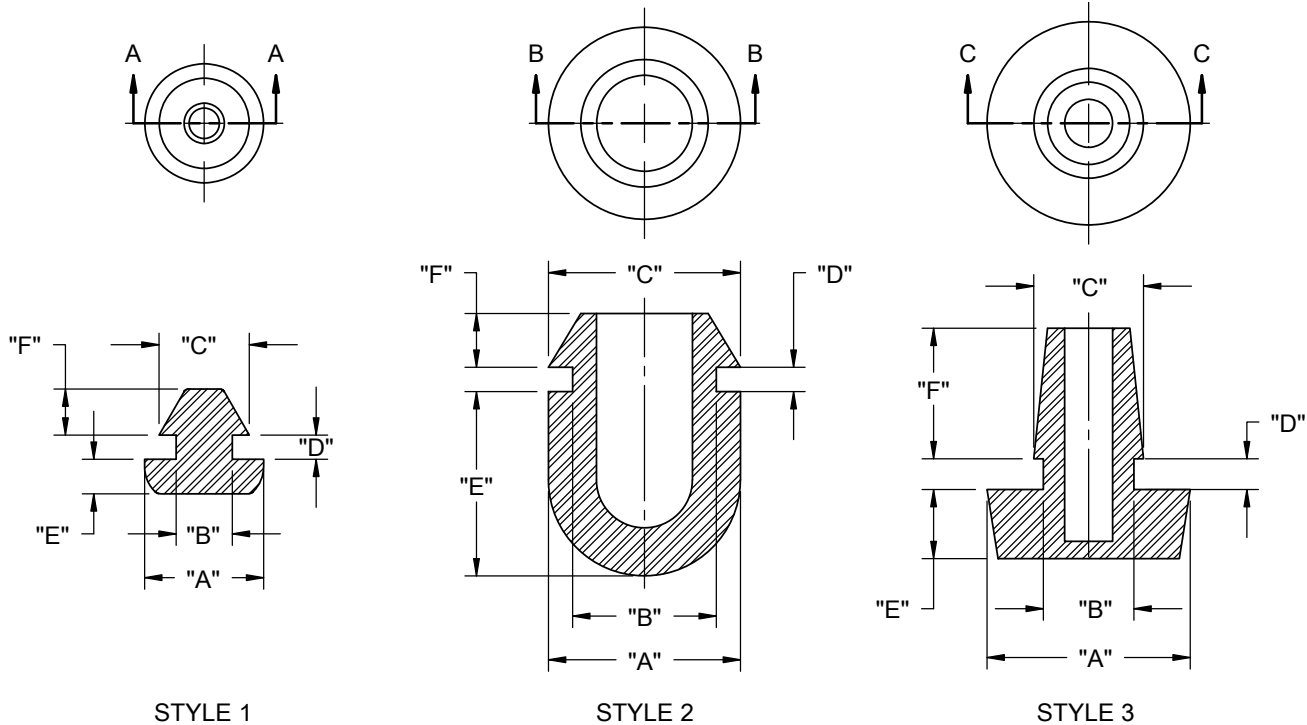
Email & Skype: info@chipsmall.com Web: www.chipsmall.com

Address: A1208, Overseas Decoration Building, #122 Zhenhua RD., Futian, Shenzhen, China





PART NO.	RECOMMENDED MOUNTING HOLE	RECOMMENDED PANEL THICKNESS	"A" DIA.	"B" DIA.	"C" DIA.	"D"	"E"	"F" REF	STYLE NO.
POF-40022	.146-.150 [3.7-3.8]	.126 [3.2]	.31 [7.9]	.126 [3.2]	.17 [4.4]	.13 [3.3]	.06 [1.6]	.13 [3.3]	1
POF-40048	.177-.181 [4.5-4.6]	.059 [1.5]	.31 [7.9]	.146 [3.7]	.24 [6.1]	.06 [1.6]	.09 [2.3]	.12 [3]	1
POF-40059	.374-.378 [9.5-9.6]		.50 [12.7]	.374 [9.5]	.50 [12.7]				
POF-50185	.236-.240 [6-6.1]	.075 [1.9]	.53 [13.4]	.236 [6]	.29 [7.3]	.08 [2]	.18 [4.6]	.34 [8.6]	3
POF-12664	.276-.280 [7-7.1]	.047 [1.2]	.62 [15.7]	.276 [7]	.34 [8.6]	.05 [1.3]	.20 [5.1]	.16 [4.1]	3



- NOTES:
 1. MATERIAL: THERMOPLASTIC ELASTOMER, UL 94 HB (RMS-262)
 2. COLOR: BLACK

REV.			TITLE: PUSH ON FEET			UNITS= INCH [mm]		FINAL	
K	CORRECTED POF-40022 DIMENSIONS, CO#200657	SK 04/14/11	CREATED USING SOLIDWORKS	FILE #: POF	DWN: SK	APP: R.T.	PART #		PRINT TYPE
J	SEE CO #200182 FOR CHANGES	SK 05/15/08	TOLERANCES UNLESS NOTED	SHEET: 1 OF 1	SHEET SIZE: A	DT: 11/06/06	CHKD: S.J.	SEE TABLE	CA
I	SEE CO #200012 FOR CHANGES	SK 09/14/07	.XX=±.010	RE: RICHCO, INC.		RICHCO, INC.			
-	SEE ENGINEERING FOR REV A-H	---	.XXX=±.005	RICHCO, INC.		ENG@RICHCO-INC.COM			
REV.	DESCRIPTION	ENGR. DATE	FRAC.=±1/64	RICHCO, INC.		(773) 539-4060			
			ANG.=±1°						