



Chipsmall Limited consists of a professional team with an average of over 10 year of expertise in the distribution of electronic components. Based in Hongkong, we have already established firm and mutual-benefit business relationships with customers from,Europe,America and south Asia,supplying obsolete and hard-to-find components to meet their specific needs.

With the principle of “Quality Parts,Customers Priority,Honest Operation,and Considerate Service”,our business mainly focus on the distribution of electronic components. Line cards we deal with include Microchip,ALPS,ROHM,Xilinx,Pulse,ON,Everlight and Freescale. Main products comprise IC,Modules,Potentiometer,IC Socket,Relay,Connector.Our parts cover such applications as commercial,industrial, and automotives areas.

We are looking forward to setting up business relationship with you and hope to provide you with the best service and solution. Let us make a better world for our industry!



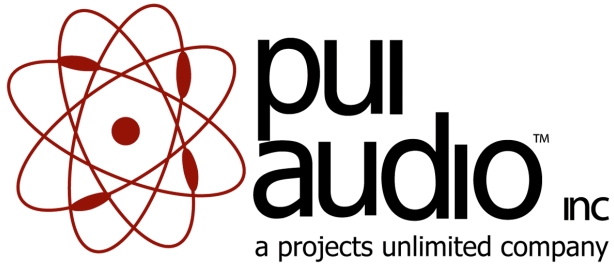
## Contact us

Tel: +86-755-8981 8866 Fax: +86-755-8427 6832

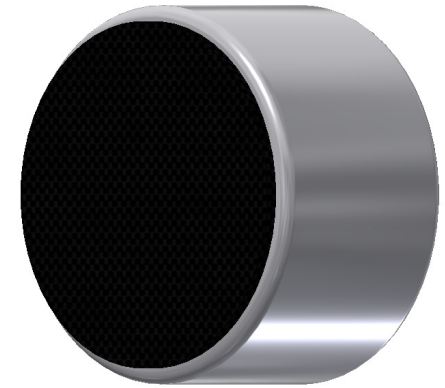
Email & Skype: info@chipsmall.com Web: www.chipsmall.com

Address: A1208, Overseas Decoration Building, #122 Zhenhua RD., Futian, Shenzhen, China





# POM-3535L-3-R Omni-Directional Microphone

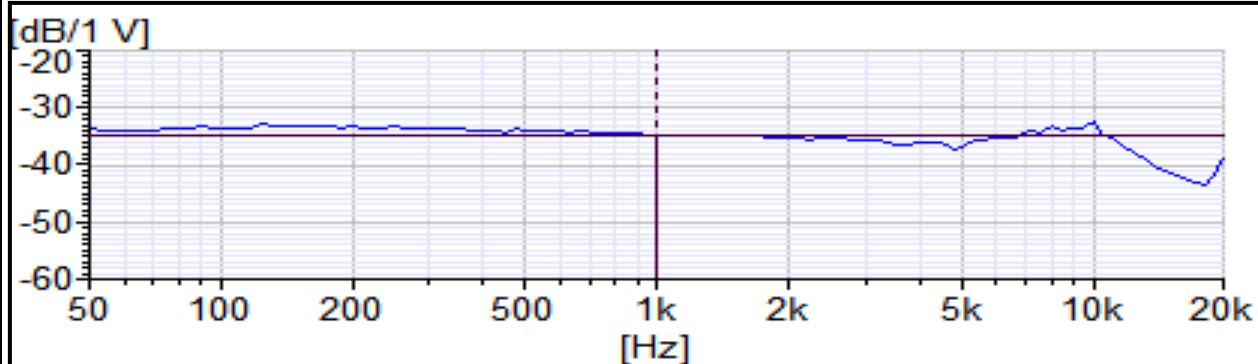


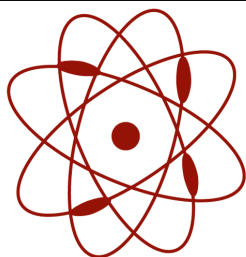
3541 Stop Eight Road • Dayton, Ohio 45414

## Product Overview

- 6mm overall diameter and 3.5mm height with solder pads
- -35 dB sensitivity for picking up low level sound
- Wide 2 to 10 VDC operating voltage and 50-16,000 Hz frequency response
- >68 dB signal-to-noise ratio and 2.2 kOhm impedance
- Omni-directional polar pattern for great off-axis response
- Built-in 33 pf and 10 pf capacitors filter out GSM TDMA noise

Typical Frequency Response and Sensitivity

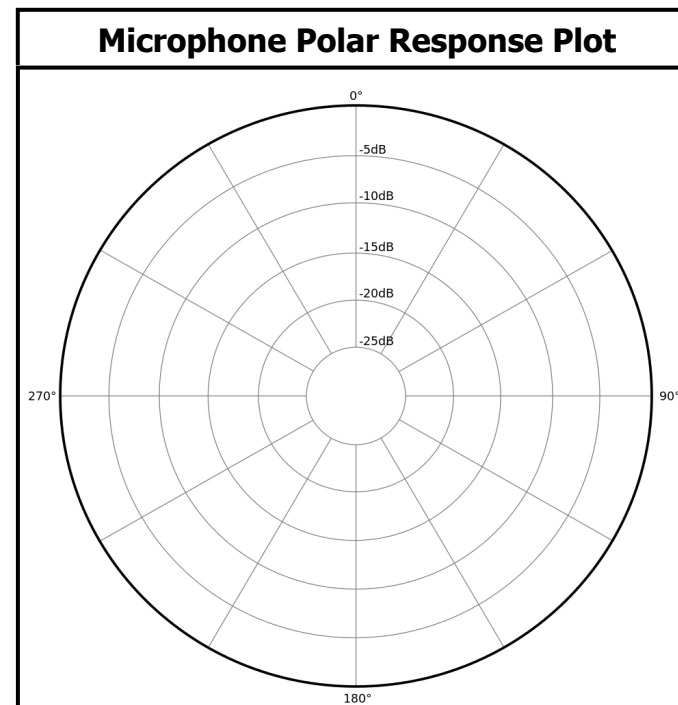
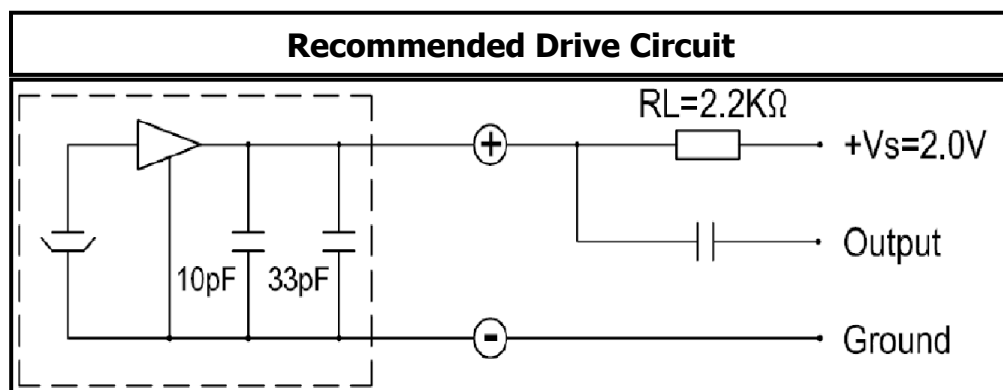




**pui**  
**audio**™ inc  
a projects unlimited company

## POM-3535L-3-R Omni-Directional Microphone

| Mechanical and Environment Testing |  |
|------------------------------------|--|
| Test Description                   | Test Condition   |
| High Temperature                   | 70°C with random humidity for 200 hours                |
| Low Temperature                    | -25°C with random humidity for 200 hours               |
| Humidity                           | 40°C with 90% relative humidity for 200 hours          |
| Vibration                          | 3 mm movement for 3 minutes in each of 3 axis          |
| Drop Test                          | 70 cm free fall onto 20 mm thick board, two directions |
| Temperature Cycle Test             | -10°C to 50°C, 5 cycles                                |



# SPECIFICATIONS

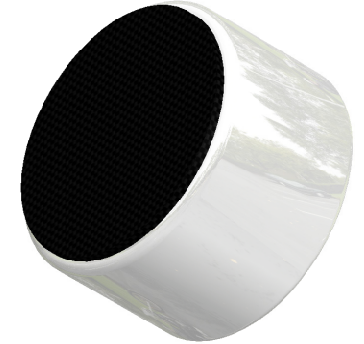
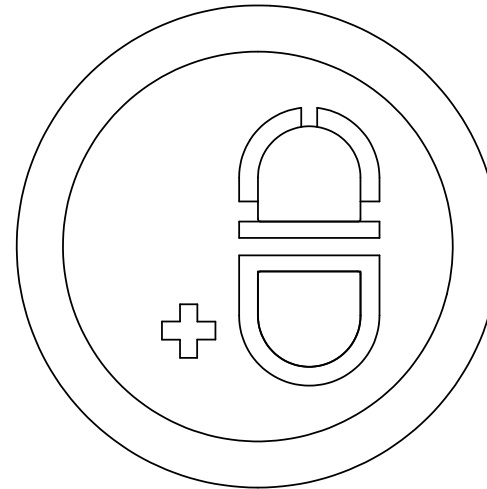
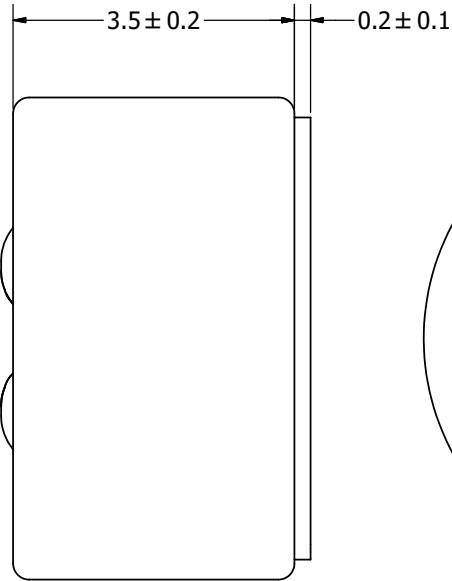
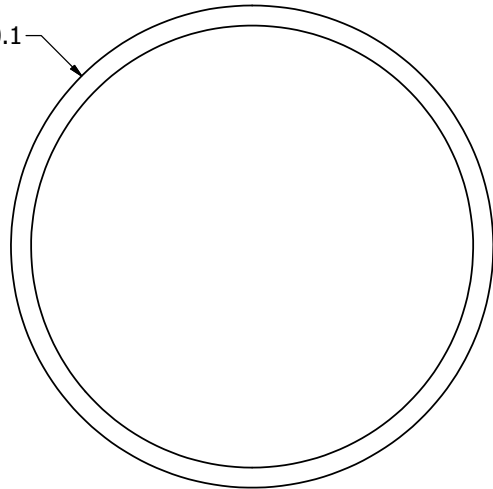
| PARAMETERS                   | VALUES      | UNIT |
|------------------------------|-------------|------|
| DIRECTIVITY                  | OMINI       | -    |
| SENSITIVITY                  | -35 ± 4     | dB   |
| STANDARD OPERATING VOLTAGE   | 2           | Vdc  |
| MAX OPERATING VOLTAGE        | 10          | Vdc  |
| CURRENT CONSUMPTION (MAX)    | 0.5         | mA   |
| IMPEDANCE                    | 2.2         | KOhm |
| SIGNAL TO NOISE RATIO (MIN.) | 68          | dB   |
| TERMINAL                     | SOLDER PADS | -    |
| INTERNAL CAPACITOR           | 10 & 33     | pF   |

THIS DOCUMENT CONTAINS DATA PROPRIETARY TO PROJECTS UNLIMITED, INC. ANY USE OR REPRODUCTION, IN ANY FORM, WITHOUT PRIOR WRITTEN PERMISSION OF PROJECTS UNLIMITED, INC. IS PROHIBITED.  
©2003, Projects Unlimited Inc.

# REVISION HISTORY

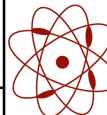
| LTR | DESCRIPTION                              | DATE       | APPROVED |
|-----|--|------------|----------|
| -   | RELEASED FROM ENGINEERING                | 11/21/2012 |          |
| A   | REVISED SIGNAL TO NOISE & CAPACITOR      | 5/9/2013   | B.R.     |
| B   | REVISED TO INVENTOR 3-D DRAWING TEMPLATE | 7/22/2013  | B.R.     |
| C   | REVISED SOLDER PAD LAYOUT                | 3/18/2014  | M.L.     |

∅6 ± 0.1



## NOTES:

1. ALL DIMENSIONS ARE IN MILLIMETERS.
2. SPECIFICATIONS SUBJECT TO CHANGE OR WITHDRAWAL WITHOUT NOTICE.
3. THIS PART IS RoHS 2011/65/EU COMPLIANT.
4. THIS PART IS BACK ELECTRET.

| UNLESS OTHERWISE SPECIFIED:<br>DIMENSIONS ARE IN MILLIMETERS,<br>TOLERANCES ARE ±0.5 AND ANGLES ARE ±3°. | SIZE<br><b>A3</b> | Designed by   | Date       | Checked by                                | Date       | Approved by | Date         | Drawn Date     |
|--|-------------------|---|------------|---|------------|-------------|--------------|----------------|
|  |                   | B.M.  | 11/21/2012 | M.L.                                      | 11/21/2012 | B.R.        | 11/21/2012   | 7/22/2013      |
| POM-3535L-3-R.idw  |                   |  <b>pui audio</b><br><small>INC</small><br><small>a projects unlimited company</small> |            | <b>POM-3535L-3-R</b><br><b>Microphone</b> |            |             | Edition<br>- | Sheet<br>1 / 1 |