



Chipsmall Limited consists of a professional team with an average of over 10 year of expertise in the distribution of electronic components. Based in Hongkong, we have already established firm and mutual-benefit business relationships with customers from,Europe,America and south Asia,supplying obsolete and hard-to-find components to meet their specific needs.

With the principle of “Quality Parts,Customers Priority,Honest Operation,and Considerate Service”,our business mainly focus on the distribution of electronic components. Line cards we deal with include Microchip,ALPS,ROHM,Xilinx,Pulse,ON,Everlight and Freescale. Main products comprise IC,Modules,Potentiometer,IC Socket,Relay,Connector.Our parts cover such applications as commercial,industrial, and automotives areas.

We are looking forward to setting up business relationship with you and hope to provide you with the best service and solution. Let us make a better world for our industry!



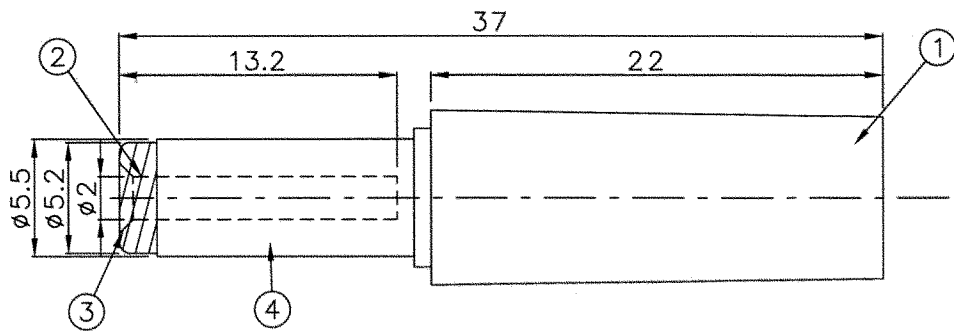
Contact us

Tel: +86-755-8981 8866 Fax: +86-755-8427 6832

Email & Skype: info@chipsmall.com Web: www.chipsmall.com

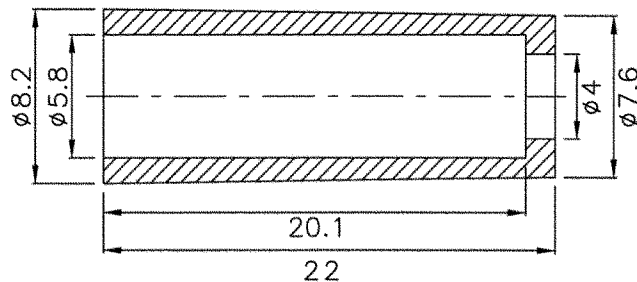
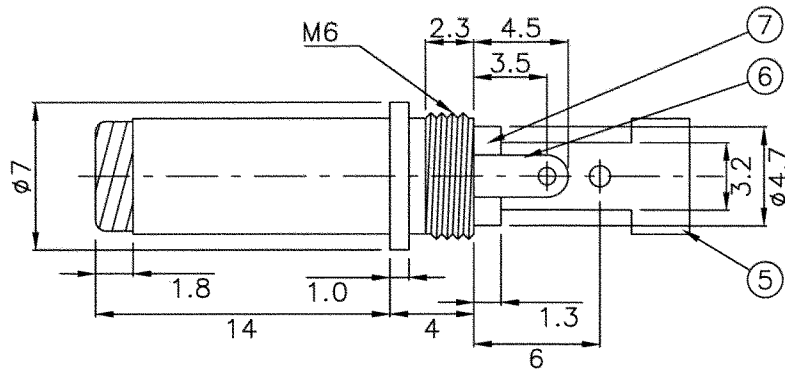
Address: A1208, Overseas Decoration Building, #122 Zhenhua RD., Futian, Shenzhen, China





No	DESCRIPTION	MATERIAL	FINISH
1.	HOUSING	BAKELITE	BLACK
2.	INSULATOR RING	POM	BLACK
3.	INNER BARREL	BRASS	NICKEL PLATED
4.	OUTER SLEEVE	BRASS	NICKEL PLATED
5.	GROUND TERMINAL	BRASS 0.3T	NICKEL PLATED
6.	TERMINAL	BRASS 0.2T	NICKEL PLATED
7.	INSULATOR	POM	RED COLOR

TOLERANCE: $\pm 0.3\text{MM}$ UNLESS OTHERWISE SPECIFIED



PC FILE NAME:
PP_002A.DWG

COPYRIGHT 1997 BY CUI INC.



9615 SW Allen, Suite 103
Beaverton, OR 97005
Phone: (503) 643-4899
800-275-4899
Fax: (503) 643-6129
Website: www.cui.com

TITLE: DC PLUG		
PART NO. PP-002A	UNITS: MM [INCHES]	
DRAWN BY: Todd R. White	APPROVED BY:	SCALE: 3X