



Chipsmall Limited consists of a professional team with an average of over 10 year of expertise in the distribution of electronic components. Based in Hongkong, we have already established firm and mutual-benefit business relationships with customers from,Europe,America and south Asia,supplying obsolete and hard-to-find components to meet their specific needs.

With the principle of “Quality Parts,Customers Priority,Honest Operation,and Considerate Service”,our business mainly focus on the distribution of electronic components. Line cards we deal with include Microchip,ALPS,ROHM,Xilinx,Pulse,ON,Everlight and Freescale. Main products comprise IC,Modules,Potentiometer,IC Socket,Relay,Connector.Our parts cover such applications as commercial,industrial, and automotives areas.

We are looking forward to setting up business relationship with you and hope to provide you with the best service and solution. Let us make a better world for our industry!



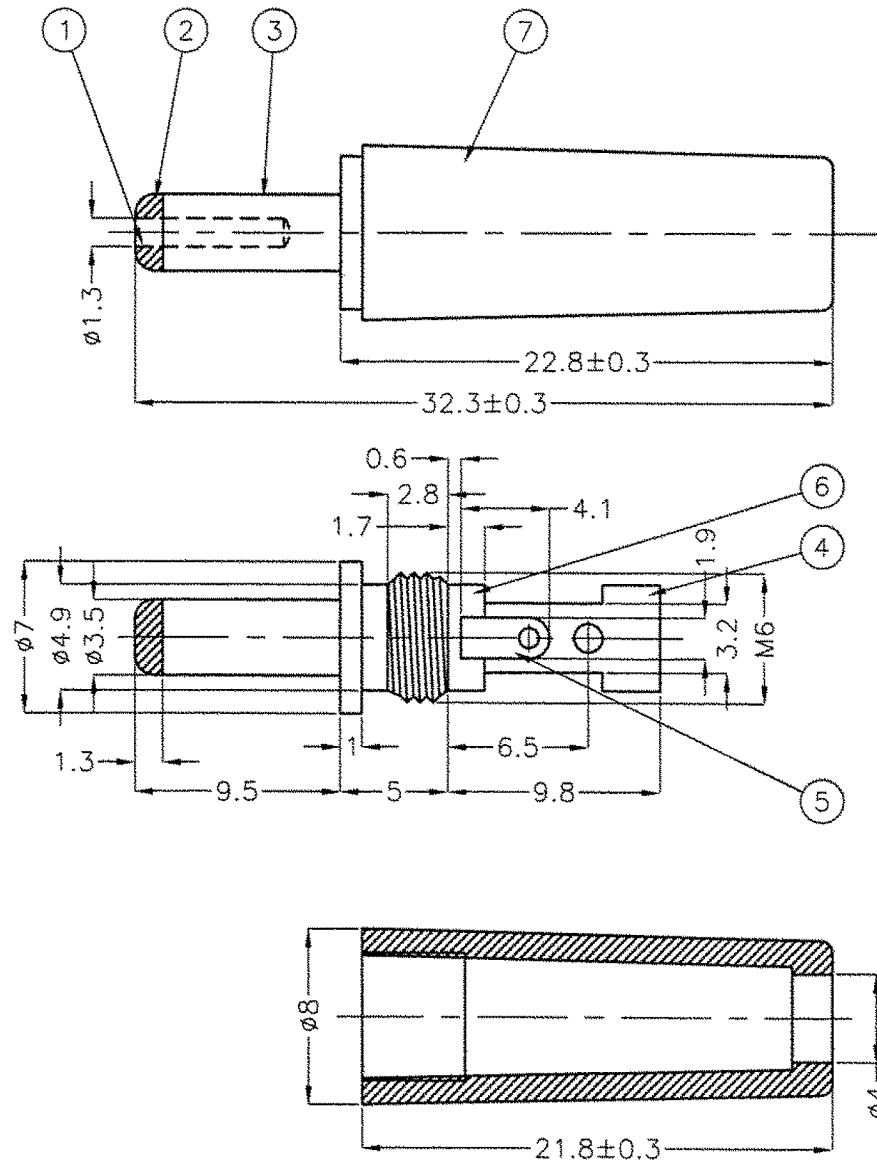
## Contact us

Tel: +86-755-8981 8866 Fax: +86-755-8427 6832

Email & Skype: info@chipsmall.com Web: www.chipsmall.com

Address: A1208, Overseas Decoration Building, #122 Zhenhua RD., Futian, Shenzhen, China





TOLERANCE: ±0.3mm UNLESS OTHERWISE SPECIFIED

NO.	DESCRIPTION	MATERIAL	FINISH
1.	INNER BARREL	BRASS	NICKEL PLATED
2.	INSULATOR RING	POM	BLACK COLOR
3.	OUTER SLEEVE	BRASS	NICKEL PLATED
4.	GROUND TERMINAL	BRASS	NICKEL PLATED
5.	TERMINAL	BRASS	NICKEL PLATED
6.	INSULATOR	PC	WHITE COLOR
7.	HOUSING	BAKELITE	BLACK COLOR



9615 SW Allen, Suite 103  
 Beaverton, OR 97005  
 Phone: (503) 643-4899  
 800-275-4899  
 Fax: (503) 643-6129  
 Website: www.cui.com

TITLE: 1.30mm POWER PLUG		
PART NO. PP-002D	UNITS: Millimeters	
DRAWN BY: Todd R. White	APPROVED BY:	SCALE: 3X