



Chipsmall Limited consists of a professional team with an average of over 10 year of expertise in the distribution of electronic components. Based in Hongkong, we have already established firm and mutual-benefit business relationships with customers from,Europe,America and south Asia,supplying obsolete and hard-to-find components to meet their specific needs.

With the principle of “Quality Parts,Customers Priority,Honest Operation,and Considerate Service”,our business mainly focus on the distribution of electronic components. Line cards we deal with include Microchip,ALPS,ROHM,Xilinx,Pulse,ON,Everlight and Freescale. Main products comprise IC,Modules,Potentiometer,IC Socket,Relay,Connector.Our parts cover such applications as commercial,industrial, and automotives areas.

We are looking forward to setting up business relationship with you and hope to provide you with the best service and solution. Let us make a better world for our industry!



Contact us

Tel: +86-755-8981 8866 Fax: +86-755-8427 6832

Email & Skype: info@chipsmall.com Web: www.chipsmall.com

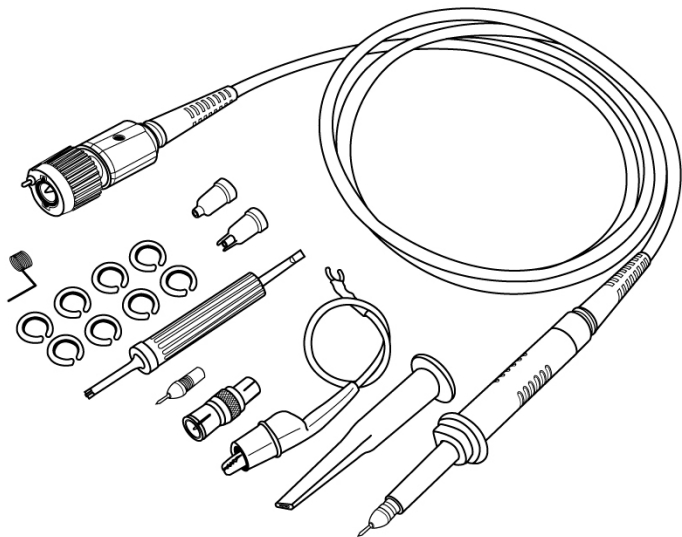
Address: A1208, Overseas Decoration Building, #122 Zhenhua RD., Futian, Shenzhen, China





TELEDYNE LECROY
Everywhereyoulook™

PP019/PP020 Passive Probe Instruction Manual



CE



TELEDYNE LECROY
Everywhereyoulook™

700 Chestnut Ridge Road
Chestnut Ridge, NY, 10977-6499
Tel: (845) 425-2000, Fax: (845) 578 5985
teledynelecroy.com

PP019/PP020 Passive Probe Instruction Manual

© 2014 Teledyne LeCroy, Inc. All rights reserved.

Unauthorized duplication of Teledyne LeCroy documentation materials other than for internal sales and distribution purposes is strictly prohibited. However, clients are encouraged to distribute and duplicate Teledyne LeCroy documentation for their own internal educational purposes.

Teledyne LeCroy is a trademark of Teledyne LeCroy, Inc. Other product or brand names are trademarks or requested trademarks of their respective holders. Information in this publication supersedes all earlier versions. Specifications are subject to change without notice.

923445-00 Rev A

May, 2014

Warranty

NOTE: THE WARRANTY BELOW REPLACES ALL OTHER WARRANTIES, EXPRESSED OR IMPLIED, INCLUDING BUT NOT LIMITED TO ANY IMPLIED WARRANTY OF MERCHANTABILITY, FITNESS, OR ADEQUACY FOR ANY PARTICULAR PURPOSE OR USE. TELEDYNE LECROY SHALL NOT BE LIABLE FOR ANY SPECIAL, INCIDENTAL, OR CONSEQUENTIAL DAMAGES, WHETHER IN CONTRACT OR OTHERWISE. THE CUSTOMER IS RESPONSIBLE FOR THE TRANSPORTATION AND INSURANCE CHARGES FOR THE RETURN OF PRODUCTS TO THE SERVICE FACILITY. TELEDYNE LECROY WILL RETURN ALL PRODUCTS UNDER WARRANTY WITH TRANSPORT PREPAID.

Teledyne LeCroy warrants this oscilloscope accessory for normal use and operation within specification for a period of one year from the date of shipment. Spare parts, replacement parts and repairs are warranted for 90 days.

In exercising its warranty, Teledyne LeCroy, at its option, will either repair or replace any assembly returned within the warranty period to the Customer Service Department of an authorized service center. However, this will be done only if the product is determined by Teledyne LeCroy's examination to be defective because of workmanship or materials, and the defect is not caused by misuse, neglect, accident, abnormal conditions of operation; or, damaged by attempted repair or modifications by a non-authorized service facility.

The customer will be responsible for the transportation and insurance charges for the return of products to the service facility. Teledyne LeCroy will return all products under warranty with transportation charges prepaid.

This warranty replaces all other warranties, expressed or implied, including, but not limited to, any implied warranty of merchantability, fitness, or adequacy for any particular purposes or use. Teledyne LeCroy shall not be liable for any special, incidental, or consequential damages, whether in contract or otherwise.

PP019/PP020 Passive Probe

Terms and Symbols

The following terms appear in this manual:



CAUTION of potential damage to equipment, or **WARNING** of potential for bodily injury. Attend to the accompanying information to protect against personal injury or damage. Do not proceed until conditions are fully understood and met.

The following symbols may appear on the product:



DANGER High Voltage, risk of electric shock or burn.



ATTENTION Refer to Manual



DOUBLE INSULATION



PROTECTIVE (EARTH) TERMINAL

Introduction

The Teledyne LeCroy PP019 and PP020 are passive high impedance voltage oscilloscope probes designed and calibrated for use with general purpose oscilloscopes having an input impedance of 1 M Ω shunted by 16 pF. However, they may be compensated for use with instruments having an input capacitance between 10 to 30 pF for PP019, and 8 to 20 pF for PP020. They are compatible with oscilloscopes that automatically detect probe attenuation and adjust their readout accordingly.

Specifications

| Model | Attn. | Input Imped. | | B/W (MHz) | Rise Time (ns) | Length (m) | Compensation Range (pF) |
|--------------|-------|--------------|-------|--------------|-------------------|---------------|----------------------------|
| | | R(MΩ) | C(pF) | | | | |
| PP019 | 10x | 10 | 12 | 250 | 1.4 | 1.2 | 10 - 30 |
| PP020 | 10x | 10 | 11 | 500 | 0.7 | 1.2 | 8 - 20 |

Attenuation Ratio10:1 ± 1%

Max. Input VoltageMeasurement Category I: 500 Vrms CAT I
1500 V transient overvoltage
(see voltage derating curve on page 10)
Measurement Category II: 400 Vrms CAT II

Pollution DegreePollution Degree 2 (as defined in EN 61010-031)

Operating AltitudeUP to 3000 meters

Max. Operating Temp0° C to +50° C

Humidity5% to 95% RH (10° C to 30° C)
5% to 75% RH (30° C to 40° C)
5% to 50% RH (above 40° C)
RH not controlled below 10° C

Definitions:

Measurement Category I (CAT I): measurements performed on circuits not directly connected to mains.

Measurement Category II (CAT II): measurements performed on circuits directly connected to the low-voltage installation.

Pollution Degree 2: operating environment where normally only dry, non-conductive pollution occurs.

Temporary conductivity caused by condensation must be expected.

PP019/PP020 Passive Probe

EC Declaration of Conformity



The product is marked with this symbol to indicate that it conforms to the applicable European Union requirements per Low Voltage Directive (LVD) 2006/95/EC. Compliance was demonstrated to the following specification as listed in the Official Journal of the European Communities:

EN 61010-031/A1:2008 Safety requirements for electrical equipment for measurement, control and laboratory use – Part 031: Safety requirements for handheld probe assemblies for electrical measurement and test.

EU RoHS Compliance

The probe and its accessories conform to the 2011/65/EU RoHS2 Directive, as they have been classified as Industrial Monitoring and Control Equipment (per Article 3, Paragraph 24) and are exempt from RoHS compliance until 22 July 2017 (per Article 4, Paragraph 3).

General Safety Information



Observe generally accepted safety procedures in addition to those listed here to avoid personal injury or damage to equipment. **The overall safety of any system incorporating this accessory is the responsibility of the assembler of the system.**

Connect only to grounded instruments. Use only with compatible Teledyne LeCroy oscilloscopes that have their BNC input connected to an earth ground. Do not connect the probe reference lead to any point which is at a potential other than earth ground.

Connect and disconnect properly. Connect probe to the oscilloscope before connecting it to the test circuit. Disconnect the probe input and reference lead from the test circuit before disconnecting from the oscilloscope. Do not connect or disconnect probes while they are connected to a voltage source.

Do not overload. Do not apply any potential to the probe leads that exceeds the maximum rating of the probe. **Always comply with the Voltage vs. Frequency Derating Curve.**

Observe all terminal ratings. Observe all markings on the oscilloscope before connecting. Consult the oscilloscope product manual for further ratings information.

Do not remove probe casing. Touching exposed connections may result in electric shock.

Use indoors only within operational environment listed. Do not use in wet or explosive atmospheres. Keep product surfaces clean and dry.

Handle with care. Probe tips are extremely sharp and may puncture skin or cause other bodily injury if not handled properly.

Keep fingers behind the finger guard of probe body and accessories.

Do not operate with suspected failures. Before each use, inspect the probe and accessories for any potential damage such as tears or other defects in the probe body, cable jacket, accessories, etc. If any part is damaged, cease operation immediately and sequester the probe from inadvertent use.

Cleaning


- Clean only the exterior of the probe, cables, and accessories. Use a soft cotton cloth moistened with a mild detergent and water solution. Do not allow any portion of the probe to be submerged at any time.
- Dry the probe and accessory thoroughly before attempting to make any voltage measurement.
- Do not subject the probe to solvents or solvent fumes as these can cause deterioration of the probe body, cables, and accessories.

PP019/PP020 Passive Probe

Disposal



The probe is marked with this symbol to indicate that it complies with the applicable European Union requirements to Directives 2002/96/EC and 2006/66/EC on Waste Electrical and Electronic Equipment (WEEE) and Batteries.

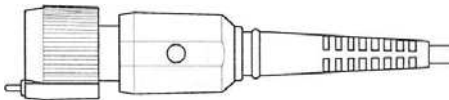
 This electronic product is subject to disposal and recycling regulations that vary by country and region. Many countries prohibit the disposal of waste electronic equipment in standard waste receptacles. For more information about proper disposal and recycling of your Teledyne LeCroy product, visit teledynelecroy.com/recycle.

Probe Compensation

Proper compensation of the probe is required to assure amplitude accuracy of the waveform being measured by matching the probe to the oscilloscope's input capacitance. Compensation should be adjusted whenever the probe is connected to or transferred between oscilloscopes.

Low Frequency (PP019 and PP020)

1. Apply a 1 kHz square wave to the probe or connect to the oscilloscope's calibrator output.
2. Adjust the low-frequency trimmer located on the PP019/PP020 BNC Compensation Box until you achieve a flat-topped square wave like the center illustration in the second figure below.



Single, low-frequency trimmer on PP019 and PP020



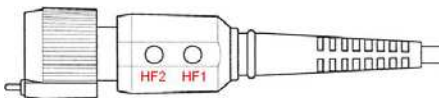
Over-compensated, correct, and under-compensated waveforms

PP019/PP020 Passive Probe

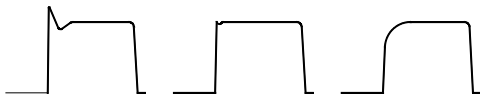
High Frequency (PP020 only)

High frequency should rarely require adjustment. However, if adjustment is required:

1. Apply a 1 MHz square wave to the probe (< 0.7 ns rise-time).
2. Remove the plastic caps from the two, high-frequency trimmers on the PP020 BNC Compensation Box.
3. Adjust HF2 then HF1 until you achieve a flat-topped square wave like the center illustration in the second figure below.

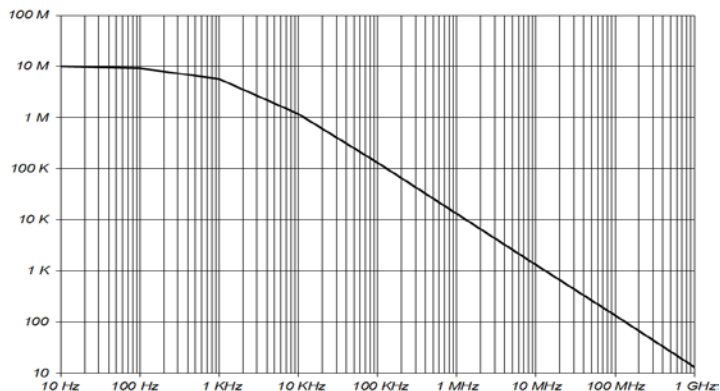


Dual, high-frequency trimmers on PP020

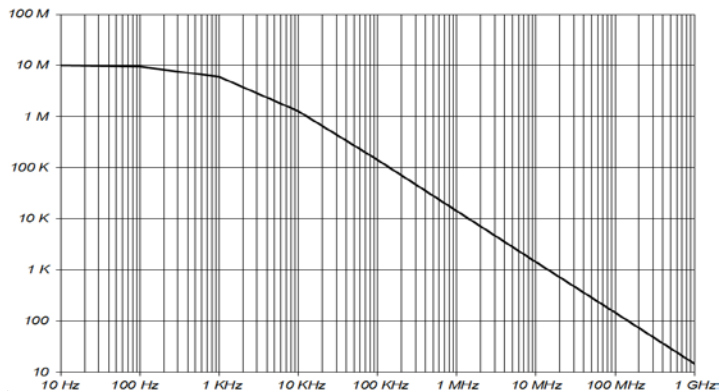


Over-compensated, correct, and under-compensated waveforms

PP019 Input Impedance Profile

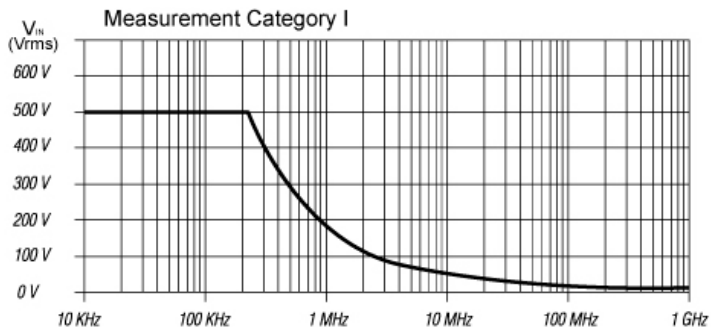


PP020 Input Impedance Profile

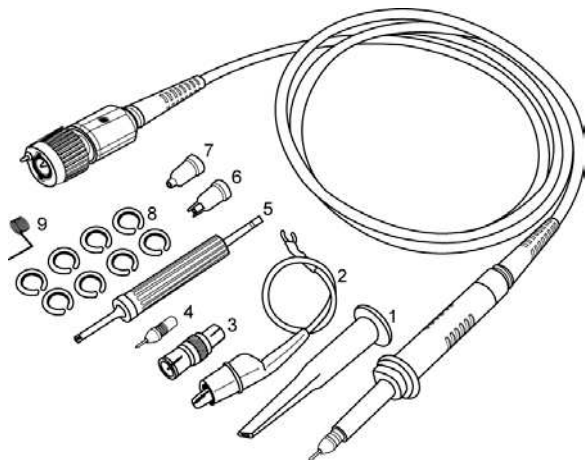


PP019/PP020 Passive Probe

Voltage vs. Frequency Derating Curve



Replaceable Parts



| Item | Description | Quantity |
|------|-------------------------------|----------|
| 1 | Sprung Hook, 5 mm, Black | 1 |
| 2 | GND Lead w/Alligator Clip | 1 |
| 3 | BNC Adapter, 5 mm | 1 |
| 4 | Replacement Tip, Black | 1 |
| 5 | Deluxe Trimmer Tool | 1 |
| 6 | IC Tip Insulator, 5 mm, Black | 1 |
| 7 | Tip Insulator, 5 mm, Black | 1 |
| 8 | Identifier Rings | 1 |
| 9 | Probe Tip GND | 1 |

Standard Accessory Replacement Kit part number is **PKIT4-5MM-101**.

Contact Teledyne LeCroy

Teledyne LeCroy Offices World Wide

United States and Canada - World Wide Corporate Office

Teledyne LeCroy Corporation
700 Chestnut Ridge Road
Chestnut Ridge, NY, 10977-6499
Ph: 800-553-2769 (Sales 1, Applications 2, Service 3) or 845-425-2000
Fax: 845-578-5985
contact.corp@teledynelecroy.com
teledynelecroy.com

US Protocol Solutions Group

Teledyne LeCroy Corporation
3385 Scott Boulevard
Santa Clara, CA, 95054
Sales and Service:
Ph: 800-909-7211/408-727-6600
Fax: 408-727-0800
contact.corp@teledynelecroy.com
www.teledynelecroy.com

Support:

Ph: 800-909-7112/408-653-1260
psgsupport@teledynelecroy.com

Europe

Teledyne LeCroy Europe
4, Rue Moïse Marcinhes
Case postale 341
1217 Meyrin 1
Geneva, Switzerland
Ph: +41 22 719 2228/2323/2277
Fax: +41 22 719 2233
contact.sa@teledynelecroy.com,
applications.indirect@teledynelecroy.com
teledynelecroy.com/europe

Protocol Analyzers:

Ph: +44 12 765 0397 1

China

Teledyne LeCroy Beijing
Rm. 2001 Unit A, Horizon Plaza
No. 6, Zhichun Rd., Haidian Dist.
Beijing 100088, China
Ph: ++86 10 8280 0318/0319/0320
Fax: +86 10 8280 0316
www.teledynelecroy.com.cn
Service: Rm. 2002
Ph: ++86 10 8280 0245

Taiwan

LeColn Technology Co Ltd.
Far East Century Park, C3, 9F
No. 2, Chien-8th Road,
Chung-Ho Dist., New Taipei City,
Taiwan
Ph: ++ 886 2 8226 1366
Fax: ++ 886 2 8226 1368
sales_twn@teledynelecroy.com.tw
teledynelecroy.com.tw

Teledyne LeCroy Offices World Wide

Japan

Teledyne LeCroy Japan
 Hobunsha Funchu Bldg, 3F
 3-11-5, Midori-cho, Fuchu-Shi
 Tokyo, 183-0006 Japan
 Ph: ++ 81 4 2402 9400
 Fax: ++ 81 4 2402 9586
 teledynelecroy.com/japan

Korea

Teledyne LeCroy Korea
 10th fl. Ildong Bldg.
 968-5 Daechi-dong, Gangnam-gu
 Seoul 135-280, Korea
 Ph: ++82 2 3452 0400
 Fax: ++82 2 3452 0490
 teledynelecroy.com.kr

Singapore (Oscilloscopes)

Teledyne LeCroy Singapore Pte Ltd.
 Blk 750C Chai Chee Road #02-08
 Technopark@ChaiChee
 Singapore 469003
 Ph: ++ 65 64424880
 Fax: ++ 65 64427811

Singapore (Protocol Analyzers)

Genetron Singapore Pte Ltd.
 37 Kallang Pudding Road, #08-08
 Tong Lee Building Block B
 Singapore 349315
 Ph: ++ 65 9760-4682



700 Chestnut Ridge Road
Chestnut Ridge, NY 10977
USA

teledynelecroy.com