



Chipsmall Limited consists of a professional team with an average of over 10 year of expertise in the distribution of electronic components. Based in Hongkong, we have already established firm and mutual-benefit business relationships with customers from,Europe,America and south Asia,supplying obsolete and hard-to-find components to meet their specific needs.

With the principle of "Quality Parts,Customers Priority,Honest Operation,and Considerate Service",our business mainly focus on the distribution of electronic components. Line cards we deal with include Microchip,ALPS,ROHM,Xilinx,Pulse,ON,Everlight and Freescale. Main products comprise IC,Modules,Potentiometer,IC Socket,Relay,Connector.Our parts cover such applications as commercial,industrial, and automotives areas.

We are looking forward to setting up business relationship with you and hope to provide you with the best service and solution. Let us make a better world for our industry!



## Contact us

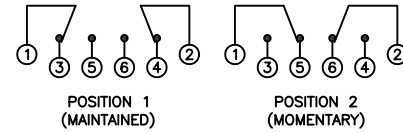
Tel: +86-755-8981 8866 Fax: +86-755-8427 6832

Email & Skype: info@chipsmall.com Web: www.chipsmall.com

Address: A1208, Overseas Decoration Building, #122 Zhenhua RD., Futian, Shenzhen, China



**SCHEMATIC**



**SPECIFICATIONS**

**FUNCTION:**  
2P2T ON-(ON)

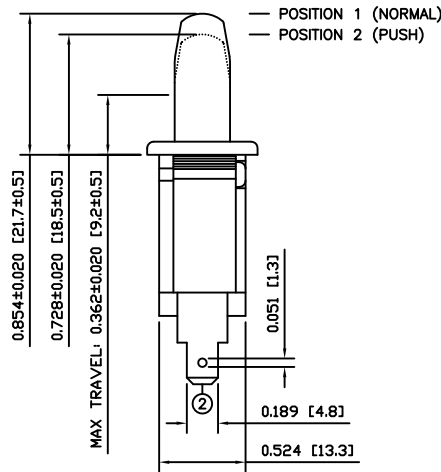
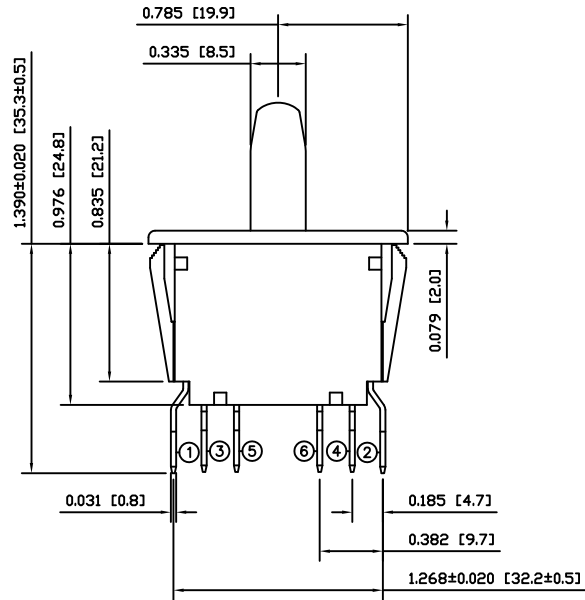
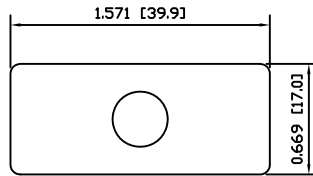
**RATING:**  
ANSI/UL 1054 and CAN/CSA C22.2 No.55 (E194579):  
16A 125VAC [cURus]  
12A 250VAC [cURus]  
1HP 125/250VAC [cURus]

**CONTACT RESISTANCE:**  
Initial: 50mΩ Max.

**TEMPERATURE:**  
Operating: 0°C to 85°C [cURus]

**ELECTRICAL LIFE:**  
6,000 Cycles [cURus]

**APPROVALS:**



**COLORS**

**BODY:**  
White

**ACTUATOR:**  
White

**MATERIALS**

**BODY:**  
Polyamide 6/6 (PA66)

**ACTUATOR:**  
Polyamide 6/6 (PA66)

**SPRING POLE:**  
Polyamide 6/6 (PA66)

**SPRING:**  
Steel (65Mn)

**HOOK SPRING:**  
Stainless Steel (1Cr13)

**MOBILE CONTACT:**  
Silver Alloy (AgNi10)

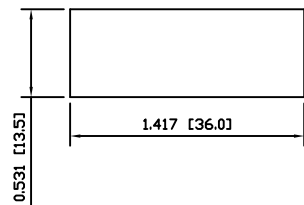
**STATIONARY CONTACT:**  
Silver Alloy Clad Copper (AgNi10/Cu)

**MOBILE CONTACT ARM:**  
Silver Plated Bronze (QSn6.5-0.1)

**TERMINALS:**  
Silver Plated Brass (H62)

**ACTUATION LEVER:**  
Brass (H62)

**SUGGESTED PANEL CUTOUT**



|                |      |          |     |
|----------------|------|----------|-----|
| ACTUATOR       | A    | 09/10/26 | CAB |
| BODY           | A    | 09/10/26 | CAB |
| COLORS         | A    | 09/10/26 | CAB |
| MATERIALS      | A    | 09/10/26 | CAB |
| SPECIFICATIONS | B    | 09/12/09 | CAB |
| REFERENCE      | REV. | DATE     | BY  |

THE INFORMATION CONTAINED IN THIS DOCUMENT IS PROPRIETARY TO E-SWITCH AND IS NOT TO BE COPIED OR TRANSFERRED

|      |                          |          |          |          |
|------|--------------------------|----------|----------|----------|
| B    | CORRECTED SPECIFICATIONS | PCRD0243 | 09/12/09 | CAB      |
| A    | INITIAL RELEASE          | PCRD0195 | 09/11/05 | CAB      |
| REV. | DESCRIPTION              | PCR      | DATE     | DRAWN BY |

|                      |            |
|----------------------|------------|
| DIMENSIONS           |            |
| INCHES [MILLIMETERS] |            |
| GENERAL TOLERANCES   |            |
| ±0.008 [±0.2] / ±1'  |            |
| SCALE                | PROJECTION |
| DRAWING NOT TO SCALE | 1st Angle  |

**PP2-1H7-2A2**

|                                |                          |               |
|--------------------------------|--------------------------|---------------|
| DRAWING NUMBER<br>34-PP21H72A2 | DATE<br>DECEMBER 9, 2009 | REVISION<br>B |
|--------------------------------|--------------------------|---------------|