



Chipsmall Limited consists of a professional team with an average of over 10 year of expertise in the distribution of electronic components. Based in Hongkong, we have already established firm and mutual-benefit business relationships with customers from,Europe,America and south Asia,supplying obsolete and hard-to-find components to meet their specific needs.

With the principle of “Quality Parts,Customers Priority,Honest Operation,and Considerate Service”,our business mainly focus on the distribution of electronic components. Line cards we deal with include Microchip,ALPS,ROHM,Xilinx,Pulse,ON,Everlight and Freescale. Main products comprise IC,Modules,Potentiometer,IC Socket,Relay,Connector.Our parts cover such applications as commercial,industrial, and automotives areas.

We are looking forward to setting up business relationship with you and hope to provide you with the best service and solution. Let us make a better world for our industry!



Contact us

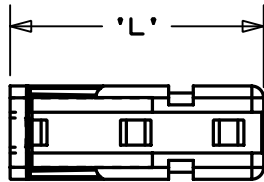
Tel: +86-755-8981 8866 Fax: +86-755-8427 6832

Email & Skype: info@chipsmall.com Web: www.chipsmall.com

Address: A1208, Overseas Decoration Building, #122 Zhenhua RD., Futian, Shenzhen, China

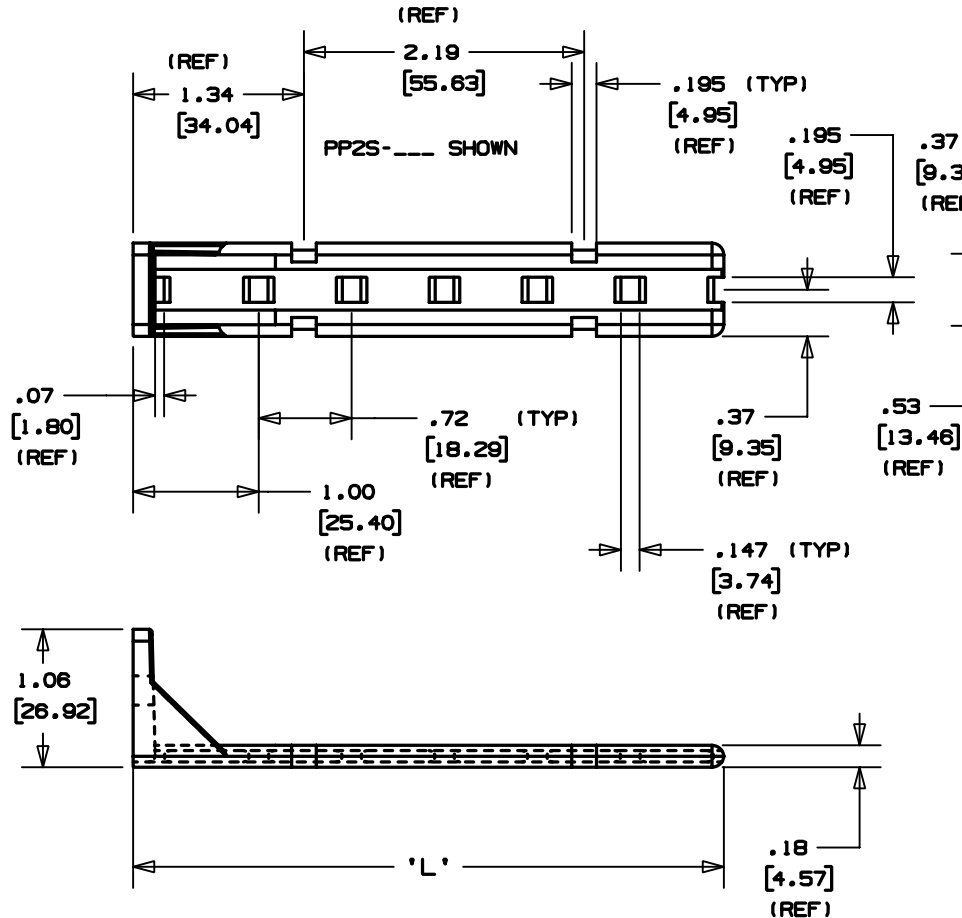


THIS COPY IS PROVIDED ON A RESTRICTED BASIS AND IS NOT TO BE USED IN ANY WAY DETRIMENTAL TO THE INTERESTS OF PANDUIT CORP.

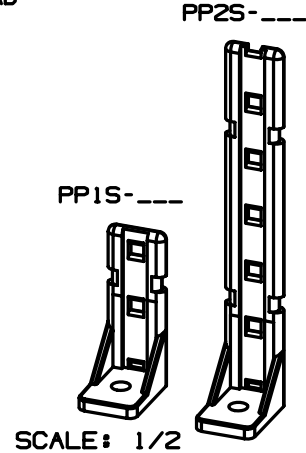


PP1S-___ SHOWN

PANDUIT PART NO.	RECM'D FAST.	USE WITH THESE CABLE TIE CROSS-SECTIONS	'D' SCREW HOLE DIA	'L' LENGTH ±0.05 (1.3)	WEIGHT lbs/100 (g)/pcs.
PP1S-S10	#10 (M5) SCREW	M, I, S	0.200 ±0.005 (5.1 ±0.1)	1.97 (50.04)	1.2 (552)
PP1S-S12	#12 (M5) SCREW		0.230 ±0.005 (5.7 ±0.1)		
PP2S-S10	#10 (M5) SCREW		0.200 ±0.005 (5.1 ±0.1)	4.60 (116.84)	2.3 (1043)
PP2S-S12	#12 (M5) SCREW		0.230 ±0.005 (5.7 ±0.1)		



- NOTES:
 1. SEE CURRENT PRICE SHEET FOR PART NUMBER SUFFIX DESIGNATION FOR PACKAGE SIZE.
 2. CABLE TIE CROSS SECTION CODE: M-MINATURE, I-INTERMEDIATE, S-STANDARD



DIMENSIONS IN BRACKETS ARE METRIC [mm]

CAD FILENAME/LAYERS G00239EA_PB_PP2SPP1S_03

PANDUIT CORP. TINLEY PARK, ILLINOIS

PAN - POST (PP_S-S__)

UNLESS OTHERWISE SPECIFIED, DIMENSIONAL TOLERANCES ARE:
 (.X) ±0.05 (1.3) (.XXX) ±0.010 (0.25)
 (.XX) ±0.02 (0.5) ANGLES ± 5°

UNLESS OTHERWISE SPECIFIED, ALL DIMENSIONS ARE GIVEN IN INCHES, THIRD ANGLE PROJECTION.

DRAWN BY JAD MAT'L: NYLON 6/6 SCALE 3/4

DATE 12/18/02 DRAWING NO. G00239EA DWS A SIZE

REV	DATE	BY	CHK	DESCRIPTION	ECN - R	CUST	SUP
3	12/18/02	JAD		REVISED-ADDED PP1S FROM DWG G00239EA	G00239EA	3	