



Chipsmall Limited consists of a professional team with an average of over 10 year of expertise in the distribution of electronic components. Based in Hongkong, we have already established firm and mutual-benefit business relationships with customers from,Europe,America and south Asia,supplying obsolete and hard-to-find components to meet their specific needs.

With the principle of "Quality Parts,Customers Priority,Honest Operation,and Considerate Service",our business mainly focus on the distribution of electronic components. Line cards we deal with include Microchip,ALPS,ROHM,Xilinx,Pulse,ON,Everlight and Freescale. Main products comprise IC,Modules,Potentiometer,IC Socket,Relay,Connector.Our parts cover such applications as commercial,industrial, and automotives areas.

We are looking forward to setting up business relationship with you and hope to provide you with the best service and solution. Let us make a better world for our industry!



Contact us

Tel: +86-755-8981 8866 Fax: +86-755-8427 6832

Email & Skype: info@chipsmall.com Web: www.chipsmall.com

Address: A1208, Overseas Decoration Building, #122 Zhenhua RD., Futian, Shenzhen, China



Currency: Your Account |  0 Item(s)[home](#)[products](#)[search](#)[news](#)[ordering](#)[distributors](#)[contact us](#)[downloads](#)[login](#)[Order Information](#) | [Device Support](#) | [Features](#) | [System Contents](#) | [Associated Products](#) | [Downloads](#)**PPM4-MK1- Atmel AT91SAM7 - ARM7 JTAG Device Library Licence inc SFM-MAX-V1.3**

This Device Library supports In-System Programming (ISP) of the Atmel AT91SAM7 "S", "SE", "A" and "L" families of ARM7 microcontrollers. This solution is aimed at high throughput production users who require the fastest possible programming of the on-chip FLASH memory of any AT91SAM7 microcontroller. The standard ARM JTAG Debug Port is used as the programming interface so no extra pins are needed to facilitate the ISP functionality.

Features

▶ Features

- High-speed In-System Programming (ISP) support of Atmel AT91SAM7 microcontrollers
- Programs the on-chip FLASH Memory of AT91SAM7 devices
- Uses standard ARM JTAG port as the ISP interface
- Very high-speed programming due to local data storage and optimised programming algorithms
- Programmers can be used in "Standalone Mode" (no PC) - Up to 64 SAM7S Programming Projects can be stored inside an FS003, PPM3-MK2 or PPM4-MK1 programmer
- Supports high-speed program / verify of the on-chip FLASH in a single operation.
- Optimised Erase operations blanks the on-chip FLASH in less than 200ms
- Supports programming of non volatile Fuse Bits
- Supports blowing of the "Security Fuse" to protect code from being read out

▶ AT91SAM7 ISP Connections

**Product Information**

Product: PPM4-MK1- Atmel AT91SAM7 - ARM7 JTAG Device Library Licence inc SFM-MAX-V1.3

Manufacturer: [Equinox Technologies](#)

Order Code:

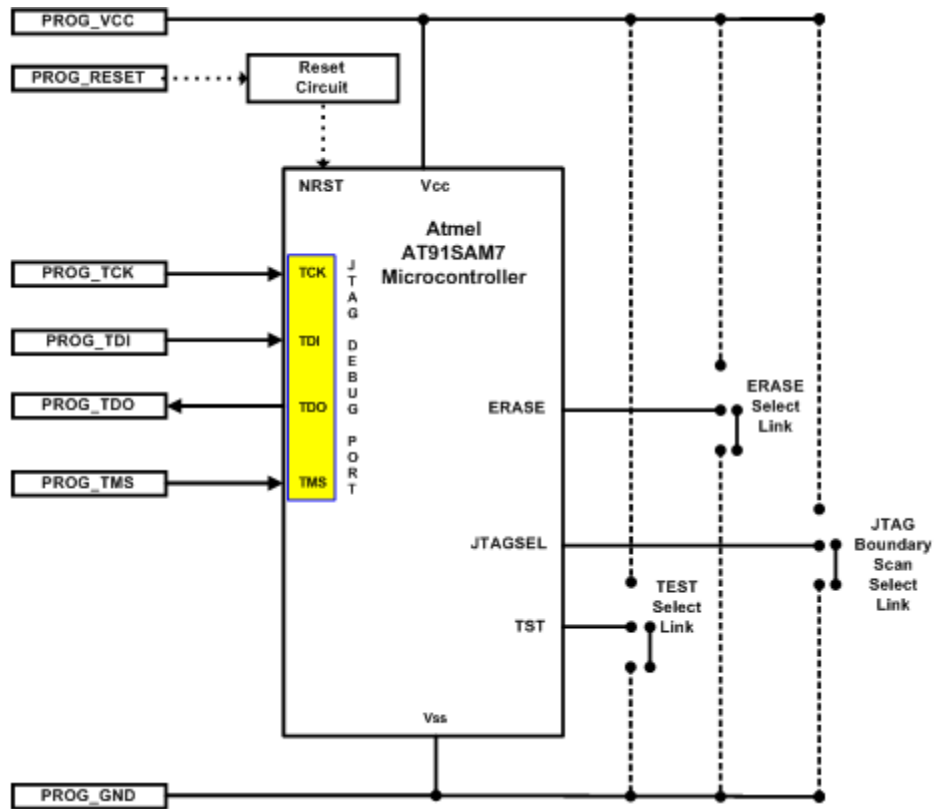
Equinox: PPM4MK1-UPG15
Big-Key: PPM4MK1-UPG15-ND

Availability: 6 in stock

Price: 387.75 (GBP)
[Excl. VAT]

**Overview Product**

Atmel AT91SAM7 -



ARM7 JTAG Device Library Licence - Overview >>

Device Support
[Device Support List](#)

Downloads

[View Downloads for this Product](#)

Associated Products [View All](#)

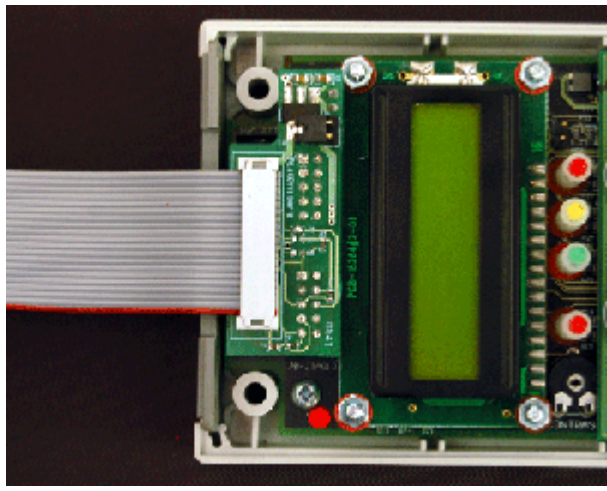
Hardware Tools

[EQ-SFM-MAX-V1.3 - High-speed I/O Driver Module for PPM3-MK2 / PPM4-MK1 Programmer >>](#)

Other Embedded Systems Tools

[I/O Connector Module 10 \(JTAG\) for Atmel AT91SAM7 ARM Microcontrollers >>](#)

▶ AT91SAM7 ISP Connector Cables for portable programmers



A special AT91SAM7 ISP cable has been developed which connects between an Equinox portable ISP programmer and any SAM7 Target System.

Device Support (by family)

This product supports devices from the families listed below:

Atmel Corporation:

- AT91SAM7A - ARM7 FLASH Microcontroller
- AT91SAM7S - ARM7 FLASH Microcontroller
- AT91SAM7SE - ARM7 FLASH Microcontroller

Please note:

Not all devices may be supported within a family.

Please see the [Detailed Device Support List](#) for a list of all devices which the product supports.

Ordering Information...

PPM4-MK1- Atmel AT91SAM7 - ARM7 JTAG Device Library Licence inc SFM-MAX-V1.3

Atmel AT91SAM7 - ARM7 JTAG Library Licence Overview

Manufacturer: [Equinox Technologies](#)

Order Code:

Equinox: **PPM4MK1-UPG15**

Digi-Key **PPM4MK1-UPG15-ND**

Quantity	Price (GBP) [Excl. VAT]
1 - 3	387.75
4 - 9	348.98
10 and above	290.81



Availability:
6 in stock

For further information about related products, please see the [Overview Product](#).

[Home](#) | [Contact Us](#) | [Privacy Policy](#) | [Refund Policy](#) | [Delivery Policy](#)

Tel: +44 (0)1942 841975 Fax: +44 (0)1942 844181 email: info@equinox-tech.com

(C) 1995 - 2008 Equinox Technologies UK Ltd.