



Chipsmall Limited consists of a professional team with an average of over 10 year of expertise in the distribution of electronic components. Based in Hongkong, we have already established firm and mutual-benefit business relationships with customers from,Europe,America and south Asia,supplying obsolete and hard-to-find components to meet their specific needs.

With the principle of “Quality Parts,Customers Priority,Honest Operation,and Considerate Service”,our business mainly focus on the distribution of electronic components. Line cards we deal with include Microchip,ALPS,ROHM,Xilinx,Pulse,ON,Everlight and Freescale. Main products comprise IC,Modules,Potentiometer,IC Socket,Relay,Connector.Our parts cover such applications as commercial,industrial, and automotives areas.

We are looking forward to setting up business relationship with you and hope to provide you with the best service and solution. Let us make a better world for our industry!



Contact us

Tel: +86-755-8981 8866 Fax: +86-755-8427 6832

Email & Skype: info@chipsmall.com Web: www.chipsmall.com

Address: A1208, Overseas Decoration Building, #122 Zhenhua RD., Futian, Shenzhen, China



Currency: Your Account |  0 Item(s)[home](#)[products](#)[search](#)[news](#)[ordering](#)[distributors](#)[contact us](#)[downloads](#)[login](#)[Order Information](#) | [Device Support](#) | [Features](#) | [System Contents](#) | [Associated Products](#) | [Downloads](#) | [News](#)

PPM4-MK1 - JTAG In-System (ISP) Upgrade

The 'ATmega AVR JTAG' License Upgrade for the **PPM4-MK1** Programmer supports high-speed In-System Programming (ISP) of Atmel ATmega AVR Microcontrollers via their on-chip JTAG port. The JTAG algorithm yields much faster programming times (3 - 4 times faster) than the traditional SPI algorithm due to an enhanced protocol and higher bus speed. It is also possible to program multiple AVR microcontrollers which are part of a **JTAG Chain** on the same Target System using the JTAG algorithm.

The JTAG port can be used for firmware development (repetitive programming and debugging) by connecting an Atmel JTAG ICE MK2 debugger. The same JTAG port can then be used for production ISP programming using an Equinox high-speed JTAG ISP programmer.

This licence comes with a **SFM-MAX-V1.3** high speed / high current special function module which supports JTAG programming up to 4MHz and an **I/O Connector Module 3 (JTAG) - Fast Connect Version**

Supports In System Programming (ISP) via the JTAG port of the target microcontroller.

Features

▶ [Main Features](#)

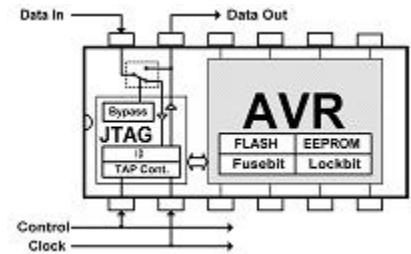
- ▶ [Advantages of JTAG Programming](#)
- ▶ [JTAG connections \(Single JTAG Device\)](#)
- ▶ [JTAG Chain Programming Support](#)
- ▶ [ISP Header Pin-out](#)
- ▶ [Device Support](#)

▶ Main Features

- Supports high-speed JTAG programming of a single Atmel AVR microcontroller connected via the JTAG interface
- Supports high-speed JTAG programming of multiple Atmel AVR microcontrollers which are connected as part of a 'JTAG Chain' (JTAG daisy-chain mode).
- Fast programming speeds via JTAG (3 - 4 times faster than SPI method)
- Simple 4-wire JTAG Interface to microcontroller
- Same JTAG Interface as Atmel JTAG ICE MK2 Debugger
- User-selectable JTAG frequency
- Supports JTAG Chain Validation
- Supports checking of the 'JTAG ID' of both AVR and any generic JTAG devices eg. CPLD's
- Supports automatic checking of 'Silicon Revision' of target JTAG device

▶ Advantages of JTAG Programming

- The JTAG algorithm is approximately 3-4 times faster at programming compared to the SPI algorithm.
- The programming time using JTAG for the EEPROM is significantly faster than the SPI algorithm
- The JTAG algorithm uses the same 'JTAG Port' as the Atmel JTAG-ICE Debugger.
- In JTAG mode it is possible to change the 'Clock Selection Fuses' to any value and still program the chip. (with the exception of the 'JTAGEN' Fuse)
- It is possible to daisy-chain multiple JTAG devices on the JTAG bus in a so-called 'JTAG Chain' and then select to program a particular device in the chain. This functionality is now supported by Equinox programmers running firmware 3.07 and above.



Product Information

Product: PPM4-MK1 - JTAG In-System (ISP) Upgrade**Manufacturer:** [Equinox Technologies](#)**Order Code:****Equinox:** PPM4MK1-UPG7**Digi-Key:** [PPM4MK1-UPG7-ND](#)**Availability:** 13 in stock**Price:** 387.75 (GBP)

[Excl. VAT]



Overview Product



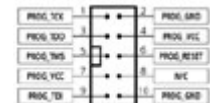
JTAG In-System Programming (ISP) Support for Atmel ATmega AVR Microcontrollers >>

Device Support

[Device Support List](#)

Search

Further Information



ISP Header - 10-way JTAG for Atmel ATmega microcontrollers >>

Downloads

[View Downloads for this Product](#)

Product News

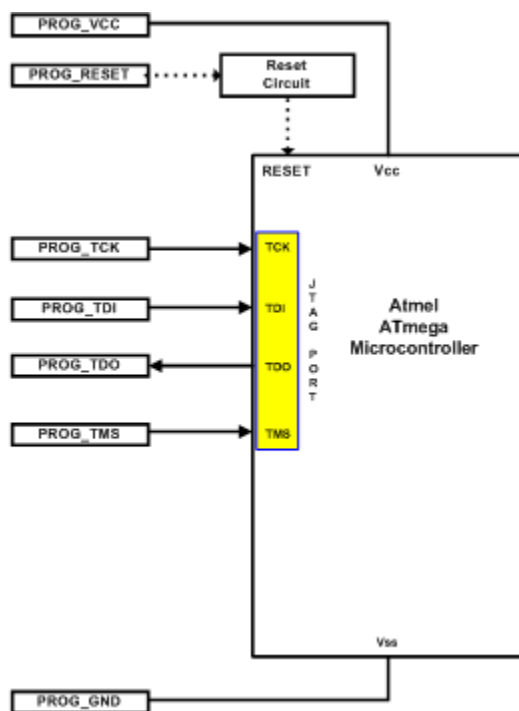
[View All](#)**16 May 2008:**

NEW EQ-SFM-MAX-V1.3 - High-speed I/O Driver Module for PPM3-MK2 Programmer >>

**01 July 2007:**

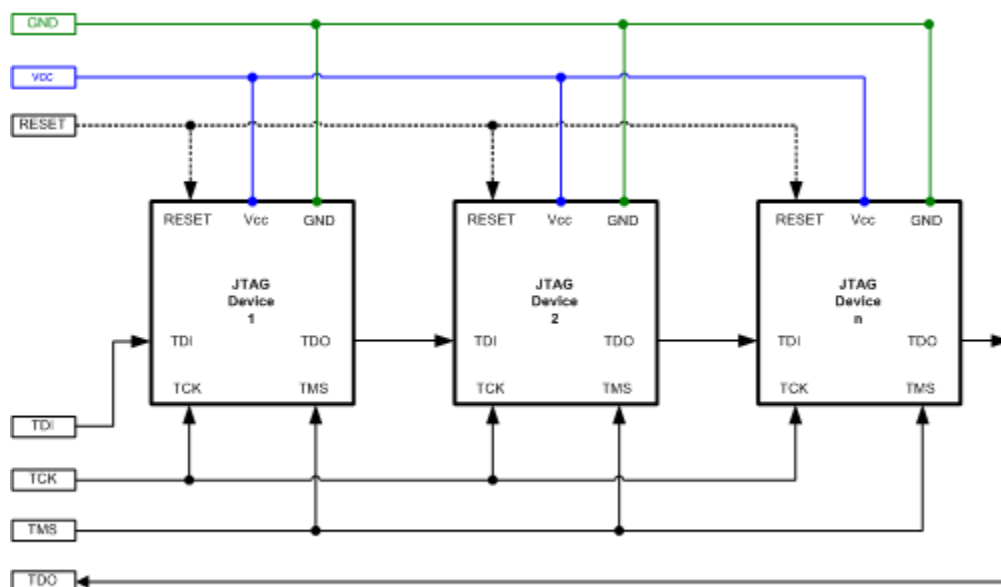
Digi-Key now distribute Equinox products in

▶ JTAG connections (Single JTAG Device)



- Supports high-speed JTAG programming of a single Atmel AVR microcontroller
- Uses only 4 x JTAG pins + control of the AVR RESET pin
- Uses the same JTAG port pins as used by the Atmel JTAG ICE debugger

▶ JTAG Chain Programming Support



- Supports programming of Atmel AVR microcontrollers which are part of a 'JTAG Chain'
- An individual 'Programming Project' is used to program a specific 'JTAG Device' in the 'JTAG Chain'
- The algorithm supports 'JTAG Chain' programming of both legacy AVR devices eg. ATmega16 and newer AVR devices eg. ATmega2560 with the devices placed in any order in the JTAG Chain
- High-speed 'JTAG Chain' programming possible due to optimised algorithms
- Supports JTAG Chain validation (checks the integrity of the JTAG Chain)
- Supports checking of the 'JTAG ID' of any other non-AVR JTAG device eg. CPLD in the chain

▶ ISP Header Pin-out

Europe & Asia along with North America, South America and Canada. >>

Associated Products

[View All](#)

Programmers



**PPM3 MK2(UN) -
Production ISP
Programming Module >>**

Other Hardware Tools



**I/O Connector Module 3
(JTAG) - Fast Connect
Version >>**



**JTAG In-System
Programming (ISP)
Support for Atmel
ATmega AVR
Microcontrollers >>**

Software Tools



**JTAG In-System
Programming (ISP)
Support for Atmel
ATmega AVR
Microcontrollers >>**

Upgrades

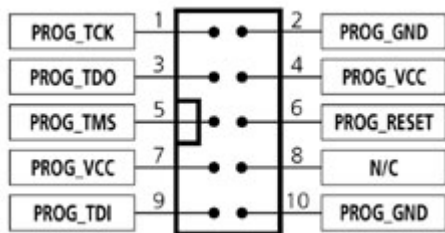


**JTAG In-System
Programming (ISP)
Support for Atmel
ATmega AVR
Microcontrollers >>**

Miscellaneous



**ISP Header - 10-way
JTAG for Atmel ATmega
microcontrollers >>**



- Equinox programmers feature the same 10-way IDC connector as the Atmel JTAG ICE debugger
- The same JTAG interface can therefore be used for both debugging during the "development phase" and "In-System Programming" during the "production phase"

Device Support (by family)

This product supports devices from the families listed below:

Atmel Corporation:

- AT90CAN - AVR with on-chip CAN : AVR microcontroller with on-chip CAN
- AT90USB - AVR FLASH Microcontroller Family
- ATmega AVR - FLASH Microcontroller Family
- ATmegaxxxP 'PICO Power' AVR Microcontroller Family

Please note:

Not all devices may be supported within a family.

Please see the [Detailed Device Support List](#) for a list of all devices which the product supports.

Ordering Information...

PPM4-MK1 - JTAG In-System (ISP) Upgrade

PPM4 MK1 - JTAG In-System Programming (ISP) Upgrade for Atmel ATmega AVR Microcontrollers including free SFM-MAX-V1.3 high speed / high current special function module and I/O Connector Module 3 (JTAG) - Fast Connect Version

Manufacturer: [Equinox Technologies](#)

Order Code:

Equinox: PPM4MK1-UPG7

Digi-Key PPM4MK1-UPG7-ND



Quantity	Price (GBP) [Excl. VAT]
1 - 3	387.75
4 - 9	348.98
10 and above	290.81



Availability:
13 in stock

For further information about related products, please see the [Overview Product](#).

[Home](#) | [Contact Us](#) | [Privacy Policy](#) | [Refund Policy](#) | [Delivery Policy](#)

Tel: +44 (0)1942 841975 Fax: +44 (0)1942 844181 email: info@equinox-tech.com
(C) 1995 - 2008 Equinox Technologies UK Ltd.