



Chipsmall Limited consists of a professional team with an average of over 10 year of expertise in the distribution of electronic components. Based in Hongkong, we have already established firm and mutual-benefit business relationships with customers from,Europe,America and south Asia,supplying obsolete and hard-to-find components to meet their specific needs.

With the principle of “Quality Parts,Customers Priority,Honest Operation,and Considerate Service”,our business mainly focus on the distribution of electronic components. Line cards we deal with include Microchip,ALPS,ROHM,Xilinx,Pulse,ON,Everlight and Freescale. Main products comprise IC,Modules,Potentiometer,IC Socket,Relay,Connector.Our parts cover such applications as commercial,industrial, and automotives areas.

We are looking forward to setting up business relationship with you and hope to provide you with the best service and solution. Let us make a better world for our industry!



## Contact us

Tel: +86-755-8981 8866 Fax: +86-755-8427 6832

Email & Skype: info@chipsmall.com Web: www.chipsmall.com

Address: A1208, Overseas Decoration Building, #122 Zhenhua RD., Futian, Shenzhen, China



# PQ1CZ41H2ZxH

TO-220 Type Chopper Regulator,  
built-in 300kHz oscillation circuit

## ■ Features

1. Maximum switching current: 1.5A
2. Built-in ON-OFF control function
3. Built-in soft start function to suppress overshoot of output voltage in power on sequence or ON/OFF control sequence
4. Built-in oscillation circuit  
(Oscillation frequency: TYP.300kHz)
5. Built-in overheat protection function, overcurrent protection function
6. SC-63 Surface Mount Type package
7. Variable output voltage  
(Output variable range:  $V_{ref}$  to 35V/ $-V_{ref}$  to  $-30V$ )  
[Possible to select step-down output/inverting output according to external connection circuit]
8. **PQ1CZ41H2ZZH**: Sleeve-packaged product  
**PQ1CZ41H2ZPH**: Tape-packaged product
9. RoHS directive compliant

## ■ Applications

1. Color TV, STB
2. LCD monitors
3. Facsimiles, plinters and other OA equipment
4. CD-ROM drives/DVD-ROM drivers
5. Air conditioners

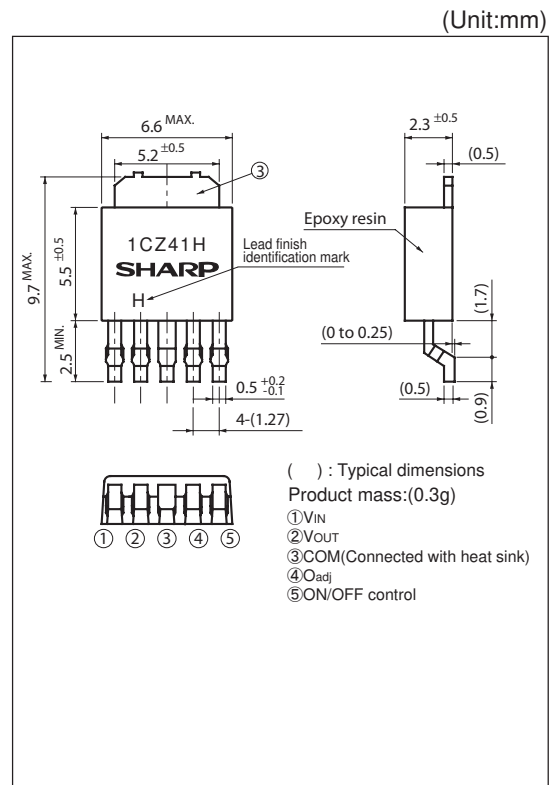
## ■ Absolute Maximum Ratings

( $T_a=25^{\circ}C$ )

Parameter	Symbol	Rating	Unit
*1 Input voltage	$V_{IN}$	40	V
Error input voltage	$V_{ADJ}$	7	V
Input - output voltage	$V_{I-O}$	41	V
*2 Output - COM voltage	$V_{OUT}$	-1	V
*3 ON/OFF control voltage	$V_C$	-0.3 to +40	V
Switching current	$I_{SW}$	1.5	A
*4 Power dissipation	$P_D$	8	W
*5 Junction temperature	$T_j$	150	$^{\circ}C$
Operating temperature	$T_{opr}$	-40 to +85	$^{\circ}C$
Storage temperature	$T_{stg}$	-40 to +150	$^{\circ}C$
Soldering temperature	$T_{sol}$	260(10s)	$^{\circ}C$

- \*1 Voltage between  $V_{IN}$  terminal and COM terminal
- \*2 Voltage between  $V_{OUT}$  terminal and COM terminal
- \*3 Voltage between ON/OFF control and COM terminal
- \*4  $P_D$ : With infinite heat sink
- \*5 There is case that over heat protection function operates at the temperature  $T_j=125^{\circ}C$  to  $150^{\circ}C$ , so this item cannot be used in this temperature range.

## ■ Outline Dimensions



Lead finish:Lead-free solder plating  
(Composition: Sn2Cu)

Notice The content of data sheet is subject to change without prior notice.

In the absence of confirmation by device specification sheets, SHARP takes no responsibility for any defects that may occur in equipment using any SHARP devices shown in catalogs, data books, etc. Contact SHARP in order to obtain the latest device specification sheets before using any SHARP device.

### Electrical Characteristics

(Unless otherwise specified, condition shall be  $V_{IN}=12V, I_o=0.2A, V_o=5V$ , ON-OFF terminals is open,  $T_a=25^\circ C$ )

Parameter	Symbol	Conditions	MIN.	TYP.	MAX.	Unit
Output saturation voltage	$V_{SAT}$	$I_{SW}=1A$	—	0.9	1.5	V
Reference voltage	$V_{ref}$	—	1.235	1.26	1.285	V
Reference voltage temperature fluctuation	$\Delta V_{ref}$	$T_j=0$ to $125^\circ C$	—	$\pm 0.5$	—	%
Load regulation	$ RegL $	$I_o=0.2$ to $1A$	—	0.2	1.5	%
Line regulation	$ RegI $	$V_{IN}=8$ to $35V$	—	1.2	2.5	%
Efficiency	$\eta$	$I_o=1A$	—	84	—	%
Oscillation frequency	$f_o$	—	270	300	330	kHz
Oscillation frequency temperature fluctuation	$\Delta f_o$	$T_j=0$ to $125^\circ C$	—	$\pm 3$	—	%
Overcurrent detecting level	$I_L$	Switching current peak	1.55	2.0	2.6	A
Charge current	$I_{CHG}$	②,④ terminals is open,⑤ terminal	—	-10	—	$\mu A$
Input threshold voltage	$V_{THL}$	Duty ratio=0%,④ terminal=0V,⑤ terminal	—	1.3	—	V
	$V_{THH}$	Duty ratio=100%,④ terminal=1.1V, ⑤ terminal	—	2.3	—	V
ON threshold voltage	$V_{TH(ON)}$	④ terminal=0V,⑤ terminal	0.7	0.8	0.9	V
Stand-by current	$I_{SD}$	$V_{IN}=40V,⑤$ terminal=0V	—	140	400	$\mu A$
Output OFF-state dissipation current	$I_{QS}$	$V_{IN}=40V,④$ terminal=0V,⑤ terminal =0.9V	—	8	12	mA

Fig.1 Test Circuit

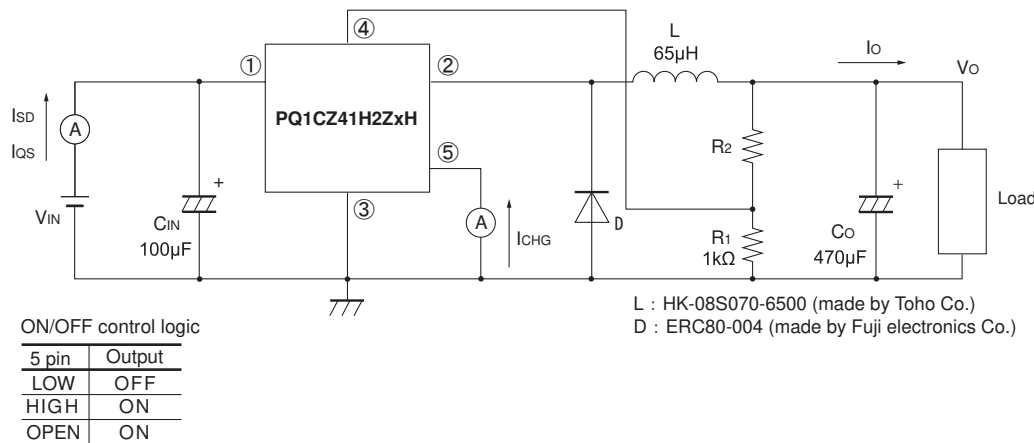
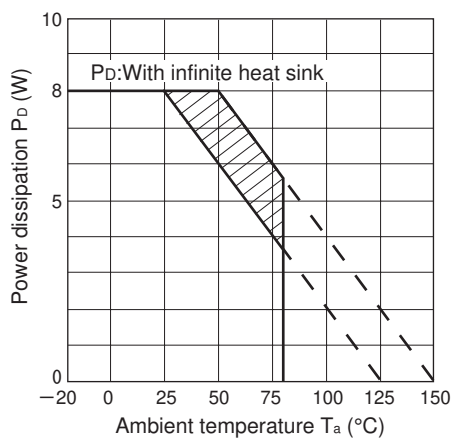


Fig.2 Power Dissipation vs. Ambient Temperature



Note) Oblique line portion: Overheat protection may operate in this area

Fig.3 Overcurrent Protection Characteristics (Typical Value)

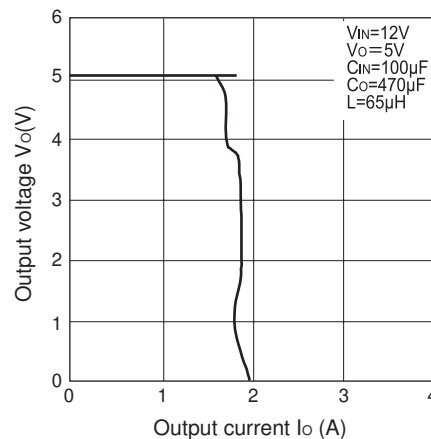




Fig.4 Efficiency vs. Input Voltage

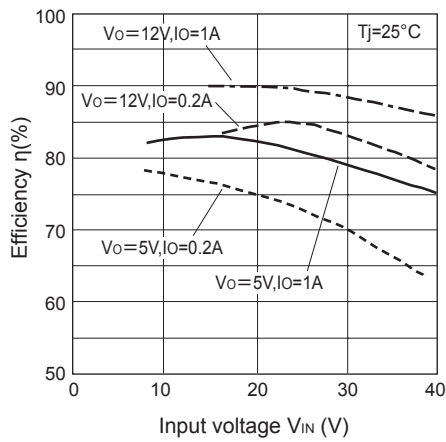


Fig.5 Output Saturation Voltage vs. Switching Current

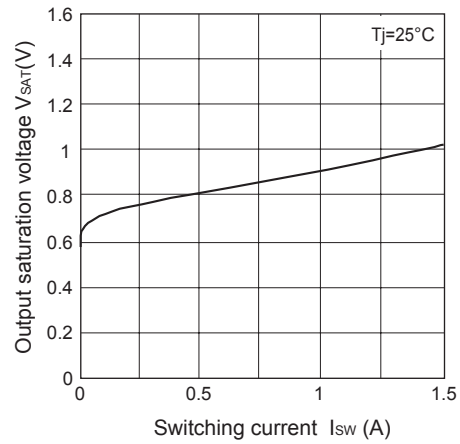


Fig.6 Stand-by Current vs. Input Voltage

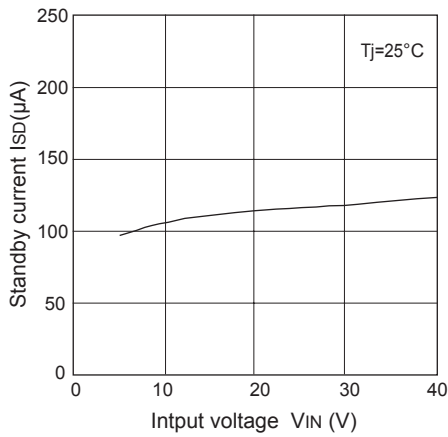


Fig.7 Reference Voltage Fluctuation vs. Junction Temperature

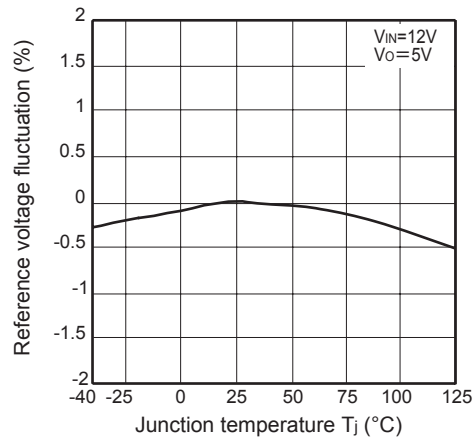


Fig.8 Load Regulation vs. Output Current

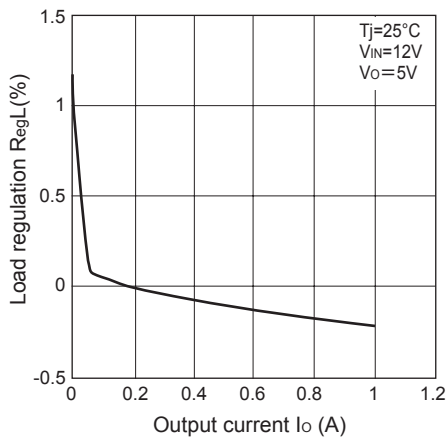


Fig.9 Line Regulation vs. Input Voltage

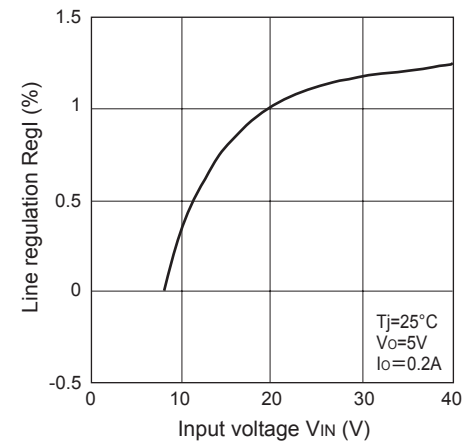


Fig.10 Oscillation Frequency Fluctuation vs. Junction Temperature

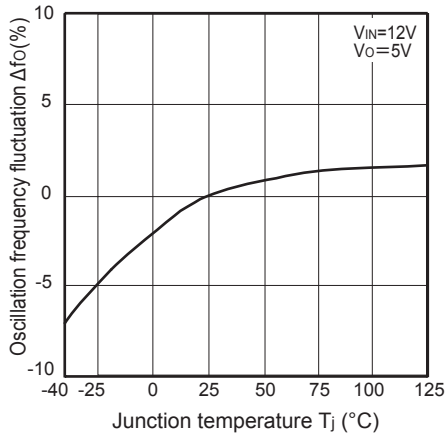


Fig.11 Overcurrent Detecting Level Fluctuation vs. Junction Temperature

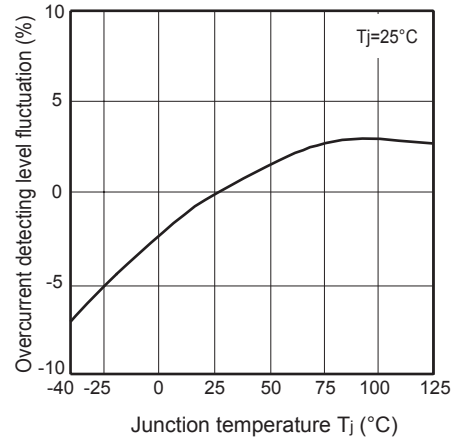


Fig.12 On Threshold Voltage vs. Junction Temperature

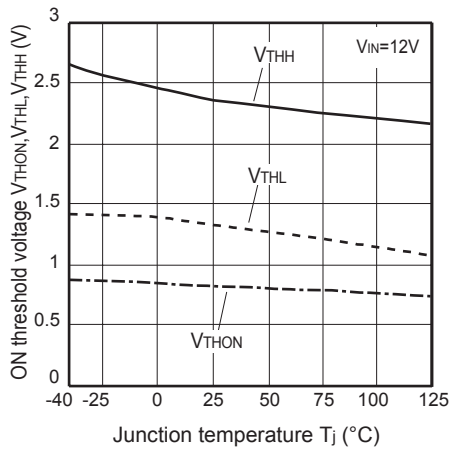


Fig.13 Operating Dissipation Current vs. Input Voltage

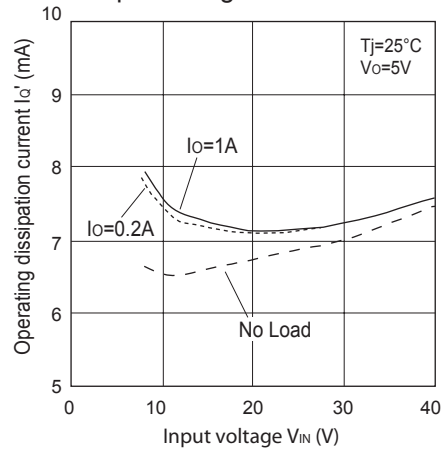
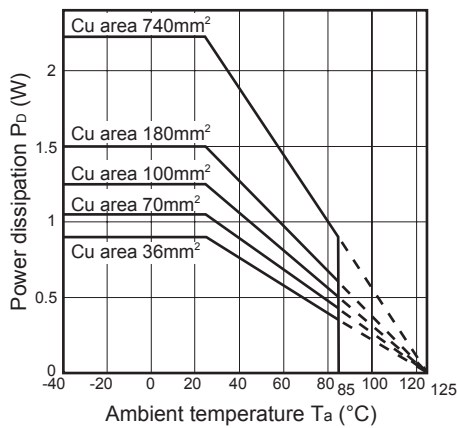
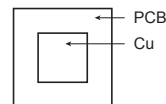


Fig.14 Power Dissipation vs. Ambient Temperature (Typical Value)



Mounting PCB



Material : Glass-cloth epoxy resin  
 Size : 50×50×1.6mm  
 Cu thickness : 35μm

Fig.15 Block Diagram

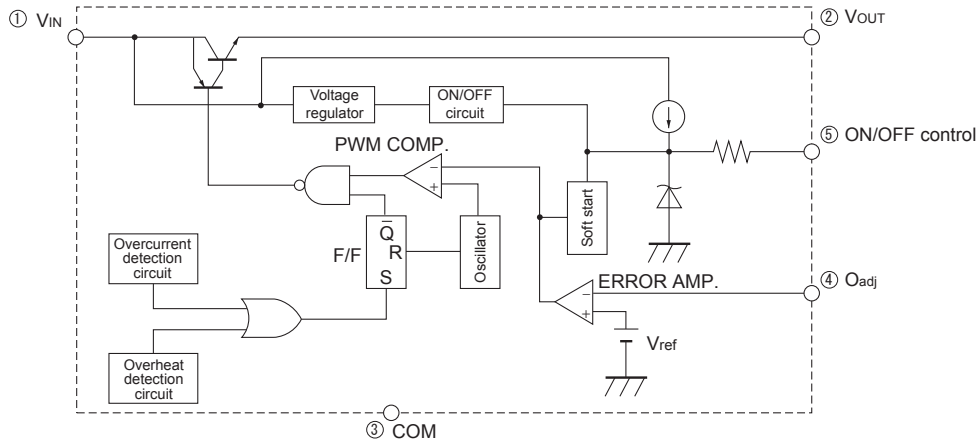


Fig.16 Step Down Type Circuit Diagram

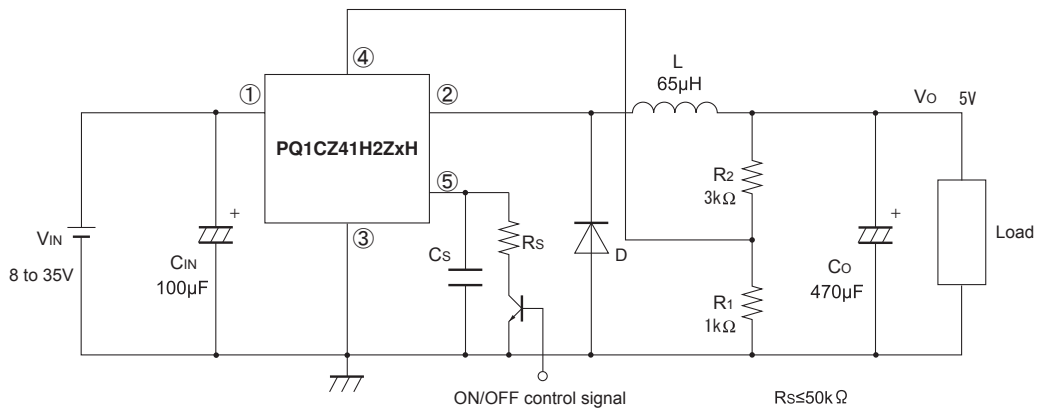
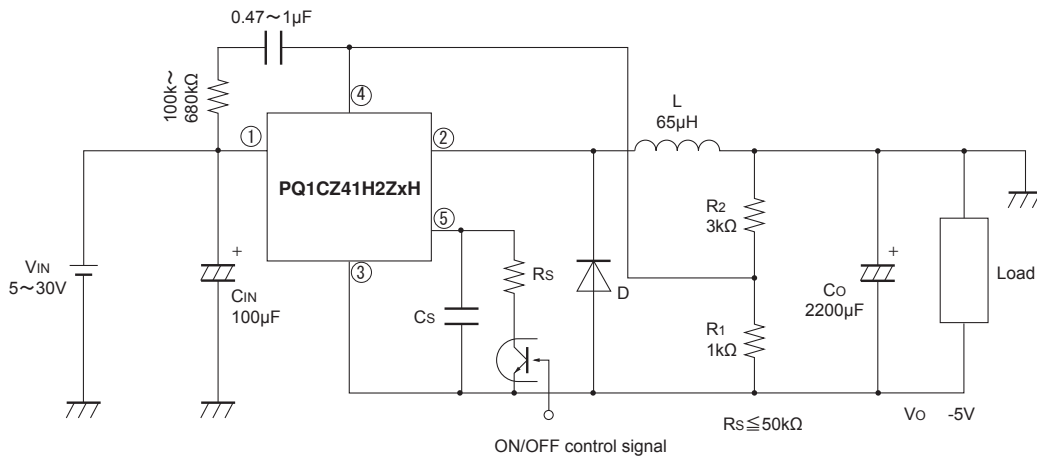


Fig.17 Polarity Inversion Type Circuit Diagram



In case that polarity is reverse, depending on the conditions, there is cases that output voltage can not gain, please use this device after confirming the output voltage at the actual conditions.