



Chipsmall Limited consists of a professional team with an average of over 10 year of expertise in the distribution of electronic components. Based in Hongkong, we have already established firm and mutual-benefit business relationships with customers from,Europe,America and south Asia,supplying obsolete and hard-to-find components to meet their specific needs.

With the principle of “Quality Parts,Customers Priority,Honest Operation,and Considerate Service”,our business mainly focus on the distribution of electronic components. Line cards we deal with include Microchip,ALPS,ROHM,Xilinx,Pulse,ON,Everlight and Freescale. Main products comprise IC,Modules,Potentiometer,IC Socket,Relay,Connector.Our parts cover such applications as commercial,industrial, and automotives areas.

We are looking forward to setting up business relationship with you and hope to provide you with the best service and solution. Let us make a better world for our industry!



## Contact us

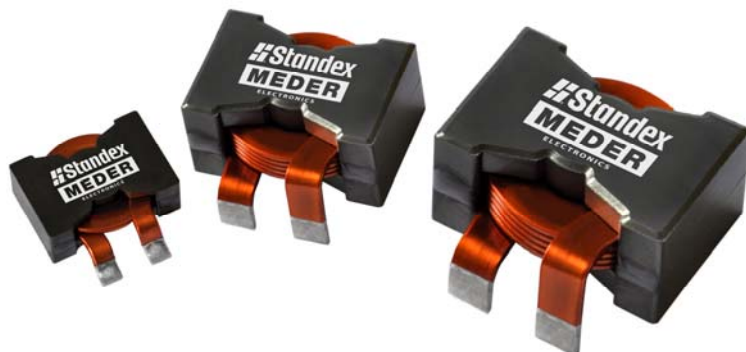
Tel: +86-755-8981 8866 Fax: +86-755-8427 6832

Email & Skype: info@chipsmall.com Web: www.chipsmall.com

Address: A1208, Overseas Decoration Building, #122 Zhenhua RD., Futian, Shenzhen, China



# Planar Inductors for the PQ20,26,32 Sizes 0.4-6.0μH, 80A max



## Contact Information:

Standex-Meder Electronics  
World Headquarters  
4538 Camberwell Road  
Cincinnati, OH 45209 USA

Standex Americas (OH)  
+1.866.STANDEX  
(+1.866.782.6339)  
info@standexelectronics.com

Meder Americas (MA)  
+1.800.870.5385  
salesusa@standexmeder.com

Standex-Meder Asia (Shanghai)  
+86.21.37820625  
salesasia@standexmeder.com

Standex-Meder Europe (Germany)  
+49.7731.8399.0  
info@standexmeder.com

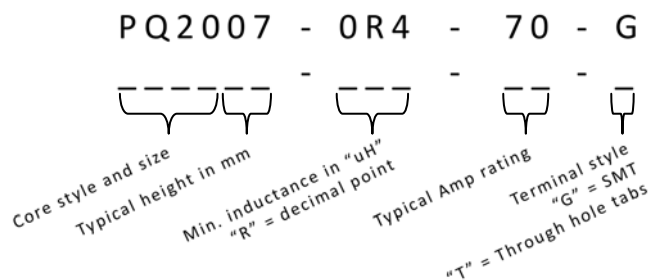
- Planar magnetics have a better power density and performance compared to equivalent wire wound transformer designs.
- Standex-Meder has multiple manufacturing facilities around the world including TS16949 and AS9100 certified and ITAR registered sites.
- Standex-Meder specializes in customizing designs to specific customer needs for a wide power range. Please contact us to provide the optimal solution for your application.
- Applications include but are not limited to: switching power supplies, DC/DC converters in distributed power systems, FIGA and low-profile high-current, high current POL converters, feedback control, overload sensing, load drop and shut down detection
- Markets include Electronics, Telecommunications, Medical, Aerospace, Industrial, Automotive, Appliance and many others

## Standard PN Datasheet

Catalog Part Number	Core Style	Height (mm)	Nom. Amps	Inductance (μH)	DCR (mΩ) Nom.	Isat (A) typ	
						10% drop	20% drop
PQ2007-0R4-70-G or T	PQ20	7	70	0.4	0.7	71	83
PQ2006-1R0-30-G or T	PQ20	6	30	1.0	1.0	35	39
PQ2007-2R2-25-G or T	PQ20	7	25	2.2	3.5	29	32
PQ2007-4R4-15-G or T	PQ20	7	15	4.4	3.6	16	18
PQ2613-1R0-80-G or T	PQ26	13	80	1.0	1.2	110	120
PQ3213-0R9-70-G or T	PQ32	13	70	0.9	1.0	100	110
PQ3218-3R3-70-G or T	PQ32	18	70	3.3	1.1	74	80
PQ3218-6R0-50-G or T	PQ32	18	50	6.0	1.5	51	57

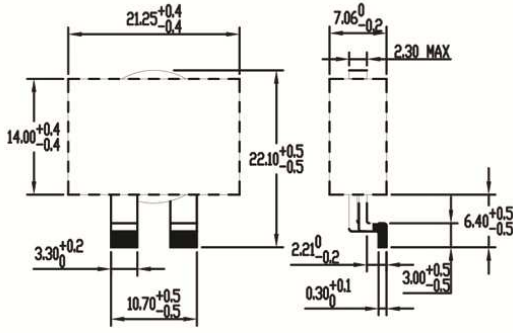
Notes: All Electrical Values at 25°C | Pri: Sec'y: Core Isolation 300 Vrms | Maximum Non-Operating Temperatures : -55°C to +180°C | Maximum Operating Rated Temperatures: -30°C to +125°C

## Example

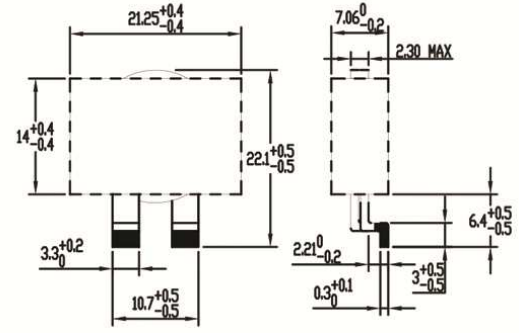


**Mechanical Dimensions – Planar Inductors for the PQ20,26,32 Sizes | 0.4-6.0μH, 80A max**

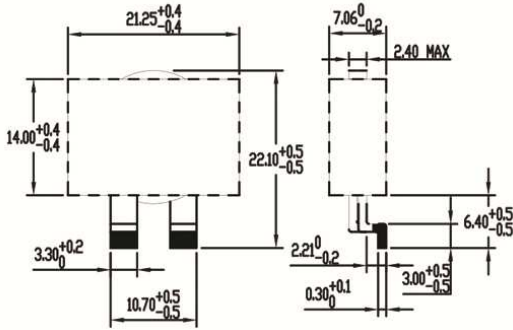
**PQ2007-0R4-70-G | 0.4 μH**



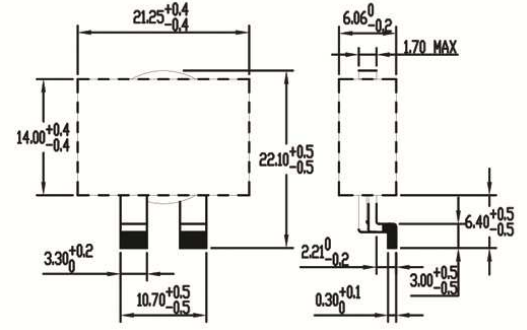
**PQ2007-2R2-25-G | 2.2 μH**



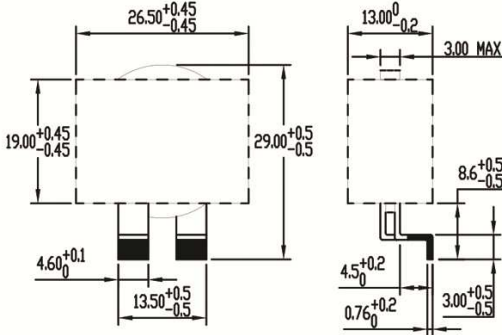
**PQ2007-4R4-15-G | 4.4 μH**



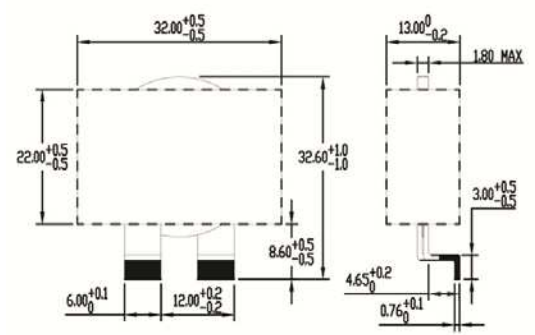
**PQ2006-1R0-30-G | 1.0 μH**



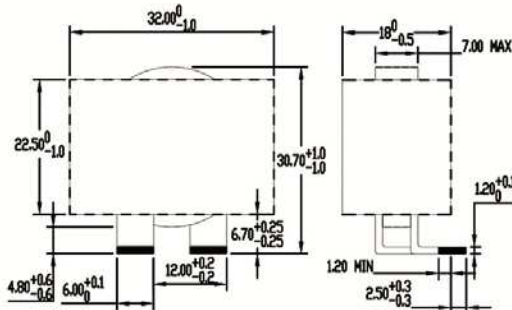
**PQ2613-1R0-80-G | 1.0 μH**



**PQ3213-0R9-70-G | 0.9 μH**



**PQ3218-3R3-70-T | 3.3 μH**



**PQ3218-6R0-50-T - 6.0 μH**

