



Chipsmall Limited consists of a professional team with an average of over 10 year of expertise in the distribution of electronic components. Based in Hongkong, we have already established firm and mutual-benefit business relationships with customers from,Europe,America and south Asia,supplying obsolete and hard-to-find components to meet their specific needs.

With the principle of “Quality Parts,Customers Priority,Honest Operation,and Considerate Service”,our business mainly focus on the distribution of electronic components. Line cards we deal with include Microchip,ALPS,ROHM,Xilinx,Pulse,ON,Everlight and Freescale. Main products comprise IC,Modules,Potentiometer,IC Socket,Relay,Connector.Our parts cover such applications as commercial,industrial, and automotives areas.

We are looking forward to setting up business relationship with you and hope to provide you with the best service and solution. Let us make a better world for our industry!



## Contact us

Tel: +86-755-8981 8866 Fax: +86-755-8427 6832

Email & Skype: info@chipsmall.com Web: www.chipsmall.com

Address: A1208, Overseas Decoration Building, #122 Zhenhua RD., Futian, Shenzhen, China



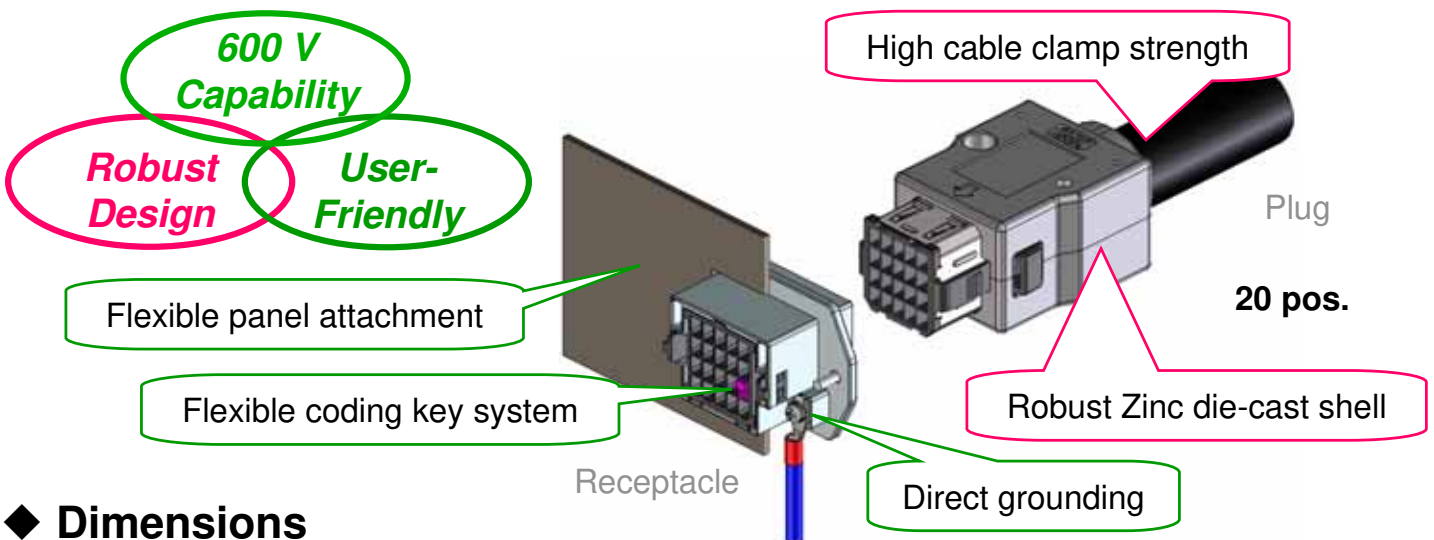
## High Power Supply Die-Casting Connector for Industrial Machines



### ◆ Features

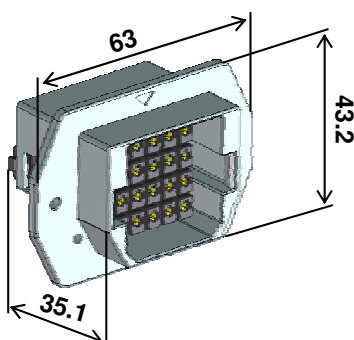
1. 600 V capability supporting NFPA79 compliant cables
2. Robust and enhanced shielding die-cast shell
3. Side lock with clear tactile click
4. In-line type is also available.
5. 3-point contacts and sequential mate contact structure
6. Flexible and varieties of coding key system
7. Security standard (TÜV/UL) to be approved
8. RoHS compliant, Halogen-free product\*

\*This product satisfies halogen free requirements defined as 900 ppm maximum chlorine, 900 ppm maximum bromine, and 1500 ppm maximum total of chlorine and bromine.

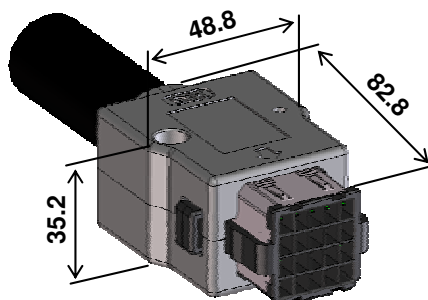


### ◆ Dimensions

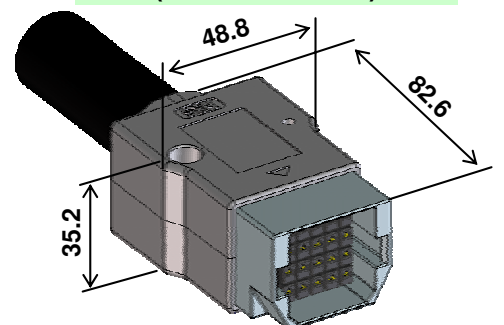
Panel Attachment Receptacle (Female Contact)



Cable Plug (Male Contact)



In-Line Receptacle (Female Contact)



All the dimensions in millimeters.

Specifications herein are subject to change without notice. Contact Hirose for latest specifications, drawings or availabilities.