



Chipsmall Limited consists of a professional team with an average of over 10 year of expertise in the distribution of electronic components. Based in Hongkong, we have already established firm and mutual-benefit business relationships with customers from,Europe,America and south Asia,supplying obsolete and hard-to-find components to meet their specific needs.

With the principle of "Quality Parts,Customers Priority,Honest Operation,and Considerate Service",our business mainly focus on the distribution of electronic components. Line cards we deal with include Microchip,ALPS,ROHM,Xilinx,Pulse,ON,Everlight and Freescale. Main products comprise IC,Modules,Potentiometer,IC Socket,Relay,Connector.Our parts cover such applications as commercial,industrial, and automotives areas.

We are looking forward to setting up business relationship with you and hope to provide you with the best service and solution. Let us make a better world for our industry!



## Contact us

Tel: +86-755-8981 8866 Fax: +86-755-8427 6832

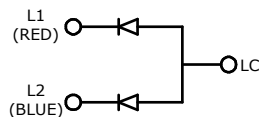
Email & Skype: info@chipsmall.com Web: www.chipsmall.com

Address: A1208, Overseas Decoration Building, #122 Zhenhua RD., Futian, Shenzhen, China

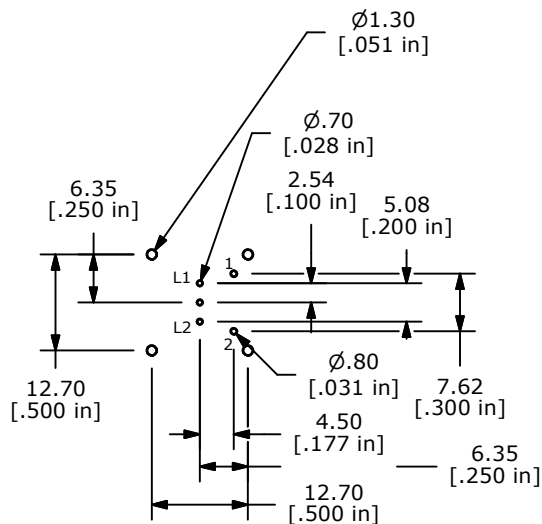




▲ CIRCUIT: SPST



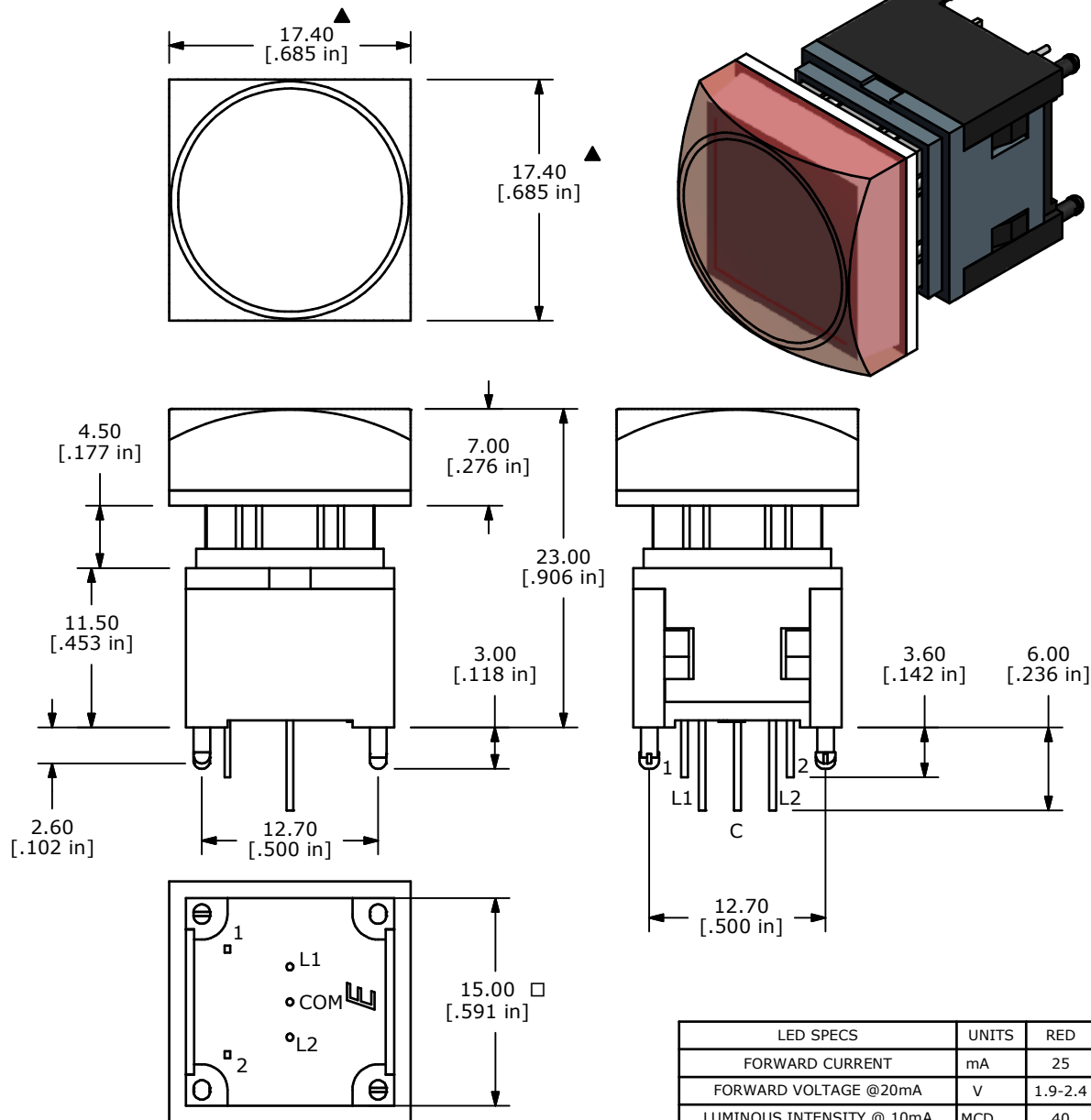
LED SCHEMATIC ▲



PCB LAYOUT

NOTES:

1. ALL DIMENSIONS IN MM [INCH]
2. GENERAL TOLERANCE: X.X=±0.4  
X.XX=±0.25
3. TERM. NOS. FOR REFERENCE ONLY.
4. RATING: 12VDC, 100mA
5. CONTACT MATERIAL: GOLD PLATED (C)
6. CONTACT RESISTANCE: 200 MILLI-OHM MAX.
7. INSULATION RESISTANCE: 500VDC, 100 MEGA-OHM MIN.
- ▲ 8. OPERATING FORCE: 250±100GF
9. MECHANICAL LIFE: 1,000,000 CYCLES
10. OPERATING TEMP: -20°C TO +70°C
11. LED COLORS: RED-BLUE
12. TRAVEL: 4.50mm±0.20
13. 2002/95/EC (ROHS) COMPLIANT
14. ▲ DENOTES CRITICAL PARAMETER.



LED SPECS	UNITS	RED	BLUE
FORWARD CURRENT	mA	25	30
FORWARD VOLTAGE @20mA	V	1.9-2.4	3.3-3.8
LUMINOUS INTENSITY @ 10mA	MCD	40	70

REV	PCR NO	DESCRIPTION	DATE	BY
C	21454	CHANGE CONTACT MATERIAL TO GOLD	5/13/14	EBP
B	19357	UPDATE HOUSING, COVER, PLUNGER	11/08/10	BMA
A	18207	New Release	8/12/08	rc



TITLE LP110A1NCSRB

SCALE	2	DATE	4/29/2008	DR	rc	DWG	B230004	REV	C
-------	---	------	-----------	----	----	-----	---------	-----	---

THE INFORMATION CONTAINED IN THIS DOCUMENT IS PROPRIETARY TO E-SWITCH AND IS NOT TO BE COPIED OR TRANSFERRED