



Chipsmall Limited consists of a professional team with an average of over 10 year of expertise in the distribution of electronic components. Based in Hongkong, we have already established firm and mutual-benefit business relationships with customers from,Europe,America and south Asia,supplying obsolete and hard-to-find components to meet their specific needs.

With the principle of “Quality Parts,Customers Priority,Honest Operation,and Considerate Service”,our business mainly focus on the distribution of electronic components. Line cards we deal with include Microchip,ALPS,ROHM,Xilinx,Pulse,ON,Everlight and Freescale. Main products comprise IC,Modules,Potentiometer,IC Socket,Relay,Connector.Our parts cover such applications as commercial,industrial, and automotives areas.

We are looking forward to setting up business relationship with you and hope to provide you with the best service and solution. Let us make a better world for our industry!



Contact us

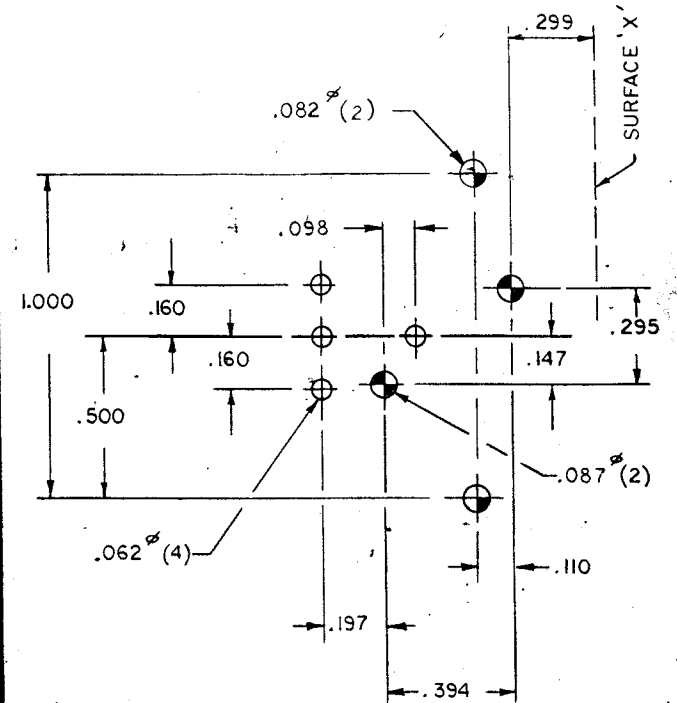
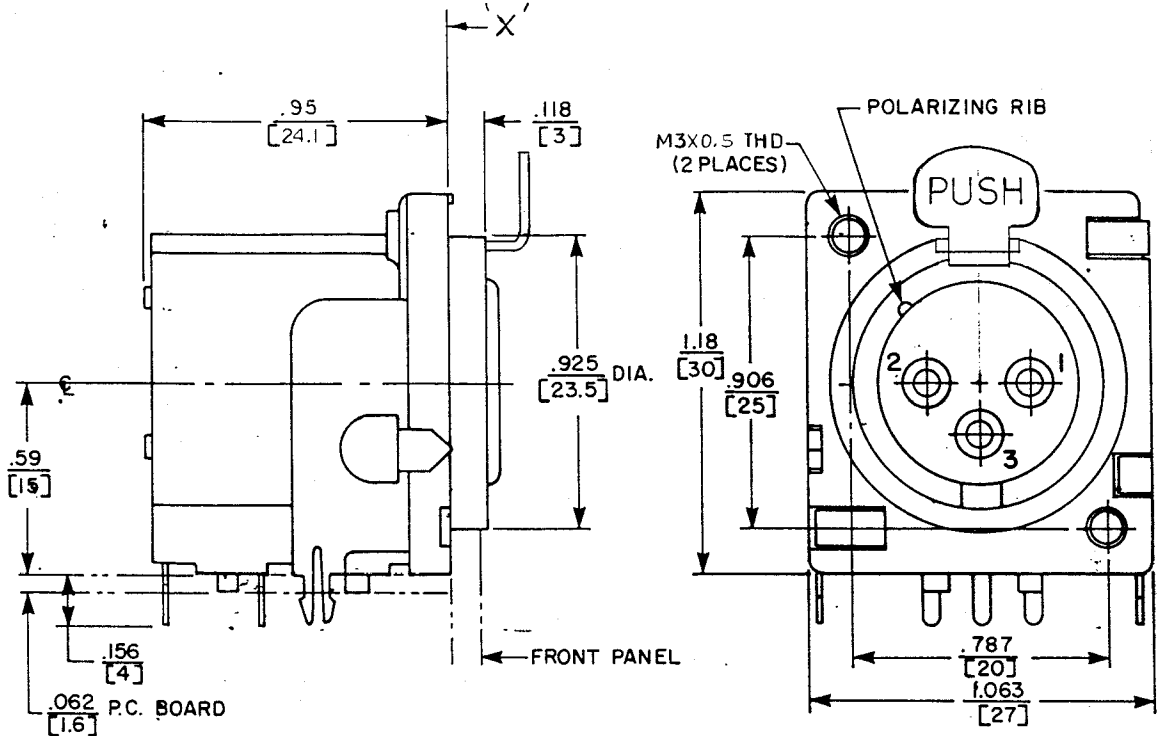
Tel: +86-755-8981 8866 Fax: +86-755-8427 6832

Email & Skype: info@chipsmall.com Web: www.chipsmall.com

Address: A1208, Overseas Decoration Building, #122 Zhenhua RD., Futian, Shenzhen, China



REV	DATE	BY	REVISION
D	4C	D	M3X0.5 THD ECO 75834



COMPONENT SIDE.

CUSTOMER DWG.

★ STAR SYMBOL DENOTES CRITICAL DIMENSION
SEE S/C ENGINEERING STANDARD ES-001

SIZE	MULT	TEMPER	THIS DRAWING DESCRIBES A DESIGN CONSIDERED PROPRIETARY IN NATURE, DEVELOPED AND MANUFACTURED BY SWITCHCRAFT, INC. AND IS RELEASED ON A CONFIDENTIAL BASIS FOR IDENTIFICATION PURPOSE ONLY.		
			UNLESS OTHERWISE SPECIFIED:		
DATE	DRAWN BY	DATE	FINISH	1. DECIMAL DIMENSIONS ± .005	
				2. FRACTIONAL DIMENSIONS ± 1/64	
DATE	CHECKED BY	DATE	MATERIAL	3. ANGLES ± 1/2°	
				4. ALL DIA'S CONCENTRIC WITHIN .005 T.I.R.	
DATE	APPROVED BY	DATE	PER MAT SPEC NO.	5. ALL DIMENSIONS IN INCHES	
				6. FOR THREADS USE UNIFIED PLUG AND RING GAGES ONLY	
DATE	SCALE	FIRST USED ON	PER FINISH SPEC. NO.	7. REMOVE ALL BURRS	
				8. PART TO BE FABRICATED AS SPECIFIED MAKE NO DIMENSIONAL ALLOWANCES FOR APPLIED FINISHES, I.E. PLATING, PAINTING, ETC.	
DATE	NAME	PART NO.	ISSUE	9. HOLES ON SAME CENTERLINE MUST BE ALIGNED WITHIN ± .002	
				DO NOT SCALE DRAWING	

NAME	PART NO.	ISSUE
PQG RECEPTACLE, FEMALE, R.A.	PQG 3FRA	D
SHEET	OF	

ROUTING