



Chipsmall Limited consists of a professional team with an average of over 10 year of expertise in the distribution of electronic components. Based in Hongkong, we have already established firm and mutual-benefit business relationships with customers from,Europe,America and south Asia,supplying obsolete and hard-to-find components to meet their specific needs.

With the principle of “Quality Parts,Customers Priority,Honest Operation,and Considerate Service”,our business mainly focus on the distribution of electronic components. Line cards we deal with include Microchip,ALPS,ROHM,Xilinx,Pulse,ON,Everlight and Freescale. Main products comprise IC,Modules,Potentiometer,IC Socket,Relay,Connector.Our parts cover such applications as commercial,industrial, and automotives areas.

We are looking forward to setting up business relationship with you and hope to provide you with the best service and solution. Let us make a better world for our industry!



Contact us

Tel: +86-755-8981 8866 Fax: +86-755-8427 6832

Email & Skype: info@chipsmall.com Web: www.chipsmall.com

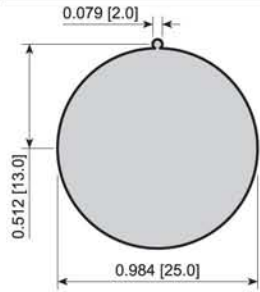
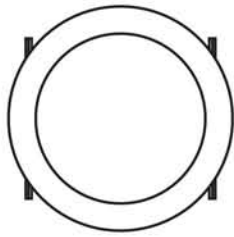
Address: A1208, Overseas Decoration Building, #122 Zhenhua RD., Futian, Shenzhen, China



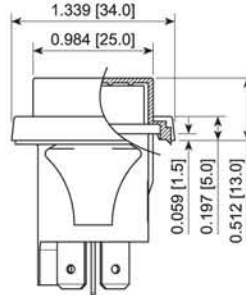
PR1 Series



Panel Cutout



Water Protection Option



PVC Cap (IP54)

FEATURES

- High Rating with UL and VDE Approvals
- Maintained and Momentary Option
- PVC Cap for Water and Dust Protection

SPECIFICATIONS:

RATING: RATING OPTION C:

- 16A 125VAC [UR, cUR]
- 3/4HP 250VAC [UR, cUR]
- 16(6)A 250V- 1E4 T125 [VDE]
- 10(4)A 250V- 5E4 T125 [VDE]

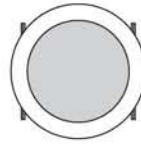
TEMPERATURE: -20°C to 105°C [UR, cUR]
-20°C to 125°C [VDE]

- ELECTRICAL LIFE:** 10,000 Cycles
- CONTACT RESISTANCE:** 35mΩ Max.
- INSULATION RESISTANCE:** 100MΩ Min. at 500VDC
- DIELECTRIC STRENGTH:** 1,500VAC for 1 Minute
- INGRESS PROTECTION:** IP54 with PVC Cap

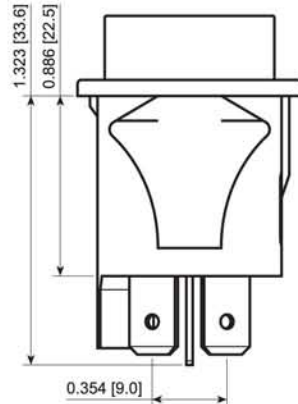
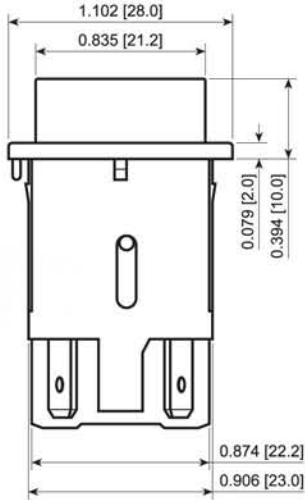
MATERIALS:

- Body:** Polyamide 6/6, UL94 V-2
- ACTUATOR:** Polyamide 6/6, UL94 V-2
Polycarbonate, UL94 V-2
- CONTACTS:** Silver Alloy
- TERMINALS:** Silver Plated Brass

Illumination Option



Full



PR144C1200



PR144EC1100



PR142C1000-116



PR144EC1000-116
ACC-F03-1

Series	Terminal	Function	Rating	Body Color	Actuator Color	Marking Color	Marking Type	Lens Style	Lens Color	Lamp Voltage
PR1	4 - 6.3mm Tabs	1 Pole: 1 - Off-On 4 - Off-(On) 2 Pole: 2 - Off-On E - Off-(On)	C - 16A 125VAC	1 - Black 2 - White 3 - Almond 4 - Grey 9 - Red	0 - Full Illum. 1 - Black 2 - White 3 - Almond 4 - Grey 5 - Orange 7 - Blue 8 - Green 9 - Red	0 - None 1 - Black 2 - White 8 - Red	0 - None 1 - Power Symbol Vert. 3 - Reset Symbol Vert. 5 - POWER Vert. 7 - RESET Vert.	1 - Full	0 - Clear 1 - Red 2 - Amber 3 - Green 4 - Blue	3 - 6V 4 - 12V 5 - 24V 6 - 125V 7 - 250V

Accessories Series	Type	Options
ACC	F03	Colors for Frame: 1 - Black 2 - White

Custom Colors and Markings Available Upon Request For Illuminated Switches Only

EXAMPLE PART NUMBERS:

- PR141C1100 1P Off-On
Black Body/Actuator, No Marking
- PR141C1900 1P Off-On
Black Body, Red Actuator, No Marking
- PR144C1900 1P Off-(On)
Black Body, Red Actuator, No Marking



E-SWITCH®

www.e-switch.com

800.867.2717

SPECIFICATIONS SUBJECT TO CHANGE WITHOUT NOTICE