



Chipsmall Limited consists of a professional team with an average of over 10 year of expertise in the distribution of electronic components. Based in Hongkong, we have already established firm and mutual-benefit business relationships with customers from,Europe,America and south Asia,supplying obsolete and hard-to-find components to meet their specific needs.

With the principle of "Quality Parts,Customers Priority,Honest Operation,and Considerate Service",our business mainly focus on the distribution of electronic components. Line cards we deal with include Microchip,ALPS,ROHM,Xilinx,Pulse,ON,Everlight and Freescale. Main products comprise IC,Modules,Potentiometer,IC Socket,Relay,Connector.Our parts cover such applications as commercial,industrial, and automotives areas.

We are looking forward to setting up business relationship with you and hope to provide you with the best service and solution. Let us make a better world for our industry!



Contact us

Tel: +86-755-8981 8866 Fax: +86-755-8427 6832

Email & Skype: info@chipsmall.com Web: www.chipsmall.com

Address: A1208, Overseas Decoration Building, #122 Zhenhua RD., Futian, Shenzhen, China



Series PRA, PRB and PRD

Product Facts

- Full line of single or double-pole power rocker switches for three different industry compatible panel cut-out sizes
- Easy to install snap-in mounting
- Dust resistant
- Dual color rocker option
- Full-illuminated rocker option
- LED or neon window illuminated option
- Wide range of marking options and functions available
- Solder lugs or .187 & .250 FASTON Tab terminals
- Cost competitive



Electrical Characteristics

Current: 16A@125 VAC 1/3 HP
10A@250 VAC 1/2 HP
PRA Series Double Pole:
7A@125 VAC
6A@250 VAC
PRA Series Single Pole:
6 (3)A 250V ~ 10A 125V ~
 μ 25T85
Inrush Current: 50A/3msec
(capacitive load)
Contact Resistance (initial): <50m Ohms
Dielectric Strength (initial): >1000 VAC, 1 min.
Insulation Resistance (initial): >100Mohms min.
Electrical Life Endurance:
>6000 operations
Voltage drop <100 mV

Mechanical Characteristics

Operating Life Endurance: up to >100,000 operations
Actuating Force:
Series PRA 150g min., 650g max.
Series PRB 300g min., 700g max.
Series PRD 850g min., 1250g max.

Materials and Finish

Housing: Nylon 6/6 UL 94V-2
Rocker: Nylon 6/6 UL 94V-2 or Polycarbonate UL 94V-2
Contact: Silver-tin Oxide
Terminals, Active Contactor: Silver plated copper alloy
Plunger: Nickel plated copper alloy
Spring: Steel Wire
Standards & Specs
UL Approved - File No. E46765
ENEC/VDE approval - File No. 40006757 (PRA Single Pole Series only)

F

Power Rocker Switches

.51 [13.0] x .76 [19.2] Panel Cutout



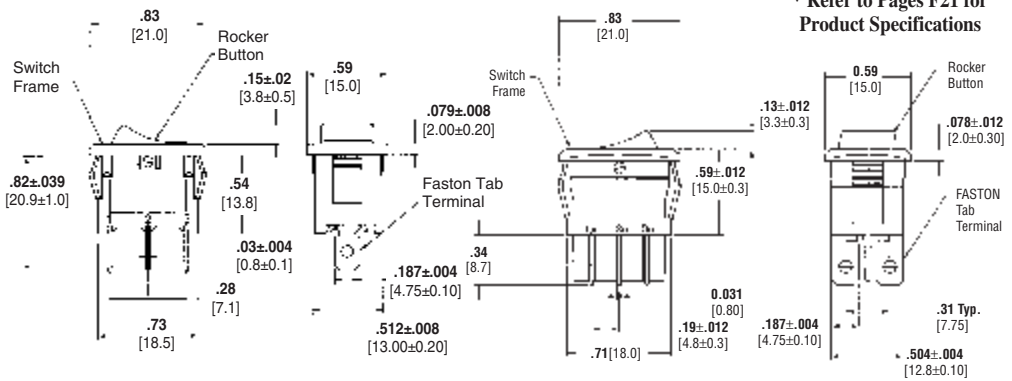
Product Facts

- Easy to install snap-in mounting
- Dust resistant
- Dual color rocker option
- Full-illuminated rocker option
- LED or neon window illuminated option
- Wide range of marking options and functions available
- Solder lugs or .187 FASTON Tab terminals
- Cost competitive

Single-Pole, Lamp Illuminated or Non-Illuminated

Double-Pole, Non-Illuminated

* Refer to Pages F21 for Product Specifications



Alcoswitch Part Number

PR A X XX - XX X - X X X X X

Switch Type
PR Power Rockers

Panel Cut-out Size
A .51 [13.0] x .76 [19.2]

Number of Poles
S Single Pole
D Double Pole

Switch Functions
A1 ON-OFF; opaque, single-color rocker button
A2 ON-OFF; opaque, dual-color rocker button
A3 (ON)-OFF; opaque, single-color rocker button
B1 ON-OFF; transparent, lamp-illuminated rocker button (100-125 V lamp voltage)
B2 ON-OFF; opaque, with lamp window, lamp-illuminated rocker button (100-125 V lamp voltage)
B3 ON-OFF; transparent, lamp-illuminated rocker button (200-250 V lamp voltage)
B4 ON-OFF; opaque, with lamp window, lamp-illuminated rocker button (200-250 V lamp voltage)
C1 ON-OFF; opaque, with LED window, LED-illuminated rocker button
D1 ON-ON; opaque, single-color rocker button
D2 ON-(ON); opaque, single-color rocker button
D3 ON-OFF-ON; opaque, single-color rocker button
D4 ON-OFF-(ON); opaque, single-color rocker button

Power Rating
07 7A @ 125 VAC; 6A @ 250 VAC (Double-pole only)
16 16A, 1/3 Hp @ 125 VAC (Single-pole only)
10A, 1/2 Hp @ 250 VAC
10A 125V- 6 (3)A 250V-
μ 25T85

Legend Text Color
0 Not Applicable R Red
B Black W White
G Green

Legend Text Pattern
0 Not Applicable E |||
A Dot F -- o =
B o - G | o ||
C o | H ON OFF
D - = J o -

Secondary Rocker Color, Window Color, or LED Color
0 Not Applicable C Clear
A Amber G Green
B Black R Red
W White

Rocker Color
A Amber G Green
B Black R Red
C Clear W White

Frame Color
B Black
W White

Terminal Type
F FASTON Tab
L Solder Lug

Part No.

| Tyco Electronics | Alcoswitch | Tyco Electronics | Alcoswitch | Tyco Electronics | Alcoswitch |
|------------------|------------------|------------------|------------------|------------------|------------------|
| 1571076-9 | PRASA1-16F-BB000 | 1571079-7 | PRASD3-16F-BB000 | 1571084-5 | PRADA1-07F-BR0BW |
| 1-1571076-0 | PRASA1-16F-BB0BW | 1571079-8 | PRASD3-16F-BB0FW | 1571086-1 | PRADD1-07F-BB000 |
| 1-1571076-1 | PRASA1-16F-BB0CW | 1571079-9 | PRASD3-16F-BB0GW | 1571086-2 | PRADD1-07F-BB0DW |
| 1-1571076-2 | PRASA1-16L-BB000 | 1-1571079-0 | PRASD2-16F-BB000 | 1571086-3 | PRADD1-07F-BB0EW |
| 1-1571076-3 | PRASA1-16L-BB0BW | 1-1571079-1 | PRASD2-16F-BB0DW | 1571086-4 | PRADD3-07F-BB000 |
| 1-1571076-4 | PRASA1-16L-BB0CW | 1-1571079-2 | PRASD2-16F-BB0EW | 1571086-5 | PRADD3-07F-BB0FW |
| 1-1571076-5 | PRASA1-16F-BR000 | 1-1571079-3 | PRASD4-16F-BB000 | 1571086-6 | PRADD3-07F-BB0GW |
| 1-1571076-6 | PRASA1-16L-BR000 | 1-1571079-4 | PRASD4-16F-BB0FW | 1571086-7 | PRADD2-07F-BB000 |
| 1-1571076-7 | PRASA2-16F-BBRBR | 1-1571079-5 | PRASD4-16F-BB0GW | 1571086-8 | PRADD2-07F-BB0DW |
| 2-1571076-0 | PRASA1-16F-BB0HW | 1571083-2 | PRASC1-16F-BBR00 | 1571086-9 | PRADD2-07F-BB0EW |
| 2-1571076-1 | PRASA3-16F-BB0JW | 1571084-1 | PRADA1-07F-BB000 | 1-1571086-0 | PRADD4-07F-BB000 |
| 1571078-2 | PRASB1-16F-BR000 | 1571084-2 | PRADA1-07F-BB0BW | 1-1571086-1 | PRADD4-07F-BB0FW |
| 1571078-4 | PRASB2-16F-BBR00 | 1571084-3 | PRADA1-07F-BB0CW | 1-1571086-2 | PRADD4-07F-BB0GW |
| 1571079-4 | PRASD1-16F-BB000 | 1571084-4 | PRADA1-07F-BR000 | | |
| 1571079-5 | PRASD1-16F-BB0DW | | | | |
| 1571079-6 | PRASD1-16F-BB0EW | | | | |

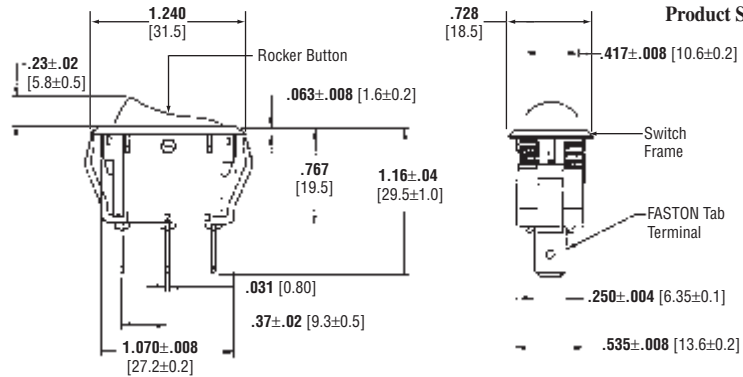
PVC Waterproof Cover: 1571786-1

.54 [13.8] x 1.09 [27.6] Panel Cutout



Product Facts

- Easy to install snap-in mounting
- Dual color rocker option
- Full-illuminated rocker option
- Lamp window illuminated option
- Wide range of marking options and functions available
- Solder lugs or .250 FASTON Tab terminals
- Cost competitive



* Refer to Pages F21 for Product Specifications

Alcoswitch Part Number

PR B S XX - XX X - X X X X X X

Switch Type
 PR Power Rockers

Panel Cut-out Size
 B .54 [13.8] x 1.09 [27.6]

Number of Poles
 S Single Pole

Switch Functions
 A1 ON-OFF; opaque, single-color rocker button
 A2 ON-OFF; opaque, dual-color rocker button
 B1 ON-OFF; transparent, lamp-illuminated rocker button (100-125 V lamp voltage)
 B3 ON-OFF; transparent, lamp-illuminated rocker button (200-250 V lamp voltage)
 C1 ON-OFF; opaque, with LED window, LED-illuminated rocker button
 D1 ON-ON; opaque, single-color rocker button
 D3 ON-OFF-ON; opaque, single-color rocker button

Power Rating
 16 16A, 1/3 Hp @ 125 VAC
 10A, 1/2 Hp @ 250 VAC

Terminal Type
 F FASTON Tab
 L Solder Lug

Legend Text Color
 0 Not Applicable R Red
 B Black W White
 G Green

Legend Text Pattern
 0 Not Applicable E |||
 A Dot F -- o =
 B o -- G | o ||
 C o | H ON OFF
 D -- =

Secondary Rocker Color, Window Color, or LED Color
 0 Not Applicable C Clear
 A Amber G Green
 B Black R Red
 C Clear W White

Rocker Color
 A Amber G Green
 B Black R Red
 C Clear W White

Frame Color
 B Black
 W White

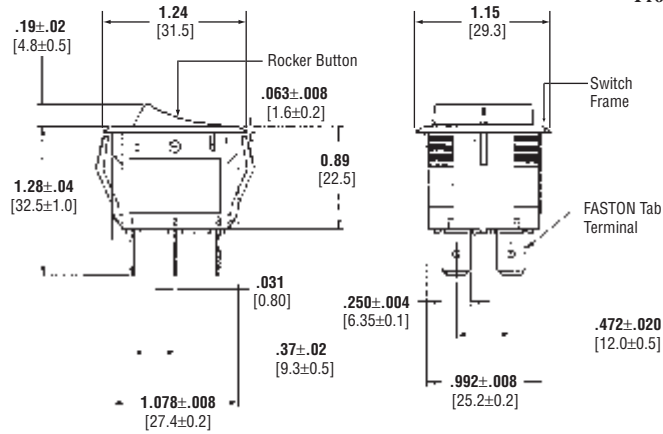
Part No.

| Tyco Electronics | Alcoswitch | Tyco Electronics | Alcoswitch |
|------------------|------------------|------------------|------------------|
| 1571087-1 | PRBSC1-16F-BBR00 | 1571092-1 | PRBSB1-16F-BR000 |
| 1571087-2 | PRBSC1-16L-BBR00 | 1571092-2 | PRBSB1-16F-BR0BW |
| 1571091-1 | PRBSA1-16F-BB000 | 1571092-3 | PRBSB1-16F-BA000 |
| 1571091-2 | PRBSA1-16F-BB0BW | 1571092-4 | PRBSB1-16F-BC000 |
| 1571091-3 | PRBSA1-16F-BB0CW | 1571094-1 | PRBSD1-16F-BB000 |
| 1571091-4 | PRBSA1-16L-BB000 | 1571094-2 | PRBSD1-16F-BB0DW |
| 1571091-5 | PRBSA1-16L-BB0BW | 1571094-3 | PRBSD1-16F-BB0EW |
| 1571091-6 | PRBSA1-16L-BB0CW | 1571094-4 | PRBSD3-16F-BB000 |
| 1571091-7 | PRBSA1-16F-BR000 | 1571094-5 | PRBSD3-16F-BB0FW |
| 1571091-8 | PRBSA1-16L-BR000 | 1571094-6 | PRBSD3-16F-BB0GW |
| 1571091-9 | PRBSA1-16F-BB0HW | 1571094-7 | PRBSD3-16F-BW000 |
| 1-1571091-0 | PRBSA1-16F-BR0HW | | |
| 1-1571091-1 | PRBSA1-16F-BW000 | | |
| 1-1571091-2 | PRBSA1-16F-BW0HB | | |

1.00 [25.4] x 1.09 [27.6] Panel Cutout



* Refer to Pages F21 for Product Specifications



Product Facts

- Easy to install snap-in mounting
- Full illuminated rocker option
- Wide range of marking options and functions available
- FASTON .250 Tab terminals
- Cost competitive

Alcoswitch Part Number

| | | |
|---|---------------------------------------|--|
| <p>Switch Type PR Power Rockers</p> <p>Panel Cut-out Size B 1.00 [25.4] x 1.09 [27.6]</p> <p>Number of Poles S Double Pole</p> <p>Switch Functions A1 ON-OFF; opaque, single-color rocker button B1 ON-OFF; transparent, lamp-illuminated rocker button (100-125 V lamp voltage) B3 ON-OFF; transparent, lamp-illuminated rocker button (200-250 V lamp voltage) D1 ON-ON; opaque, single-color rocker button D3 ON-OFF-ON; opaque, single-color rocker button</p> <p>Power Rating 16 16A, 1/3 Hp @ 125 VAC 10A, 1/2 Hp @ 250 VAC</p> <p>Terminal Type F FASTON Tab</p> | <p>PR D D XX - XX X - X X X X X X</p> | <p>Legend Text Color 0 Not Applicable R Red B Black W White G Green</p> <p>Legend Text Pattern 0 Not Applicable E I ll A Dot F - o = B o -- G l o ll C o l H ON OFF D - =</p> <p>Secondary Rocker Color, Window Color, or LED Color 0 Not Applicable</p> <p>Rocker Color A Amber G Green B Black R Red C Clear W White</p> <p>Frame Color B Black W White</p> |
|---|---------------------------------------|--|

Part No.

| Tyco Electronics | Alcoswitch | Tyco Electronics | Alcoswitch |
|------------------|------------------|------------------|------------------|
| 1571103-1 | PRDDA1-16F-BB000 | 1571112-1 | PRddb1-16F-BR000 |
| 1571103-2 | PRDDA1-16F-BB0BW | 1571112-2 | PRddb1-16F-BA000 |
| 1571103-3 | PRDDA1-16F-BB0CW | 1571113-1 | PRDDd1-16F-BB000 |
| 1571103-4 | PRDDA1-16F-BR000 | 1571113-2 | PRDDd1-16F-BB0DW |
| 1571103-5 | PRDDA1-16F-BB0HW | 1571113-3 | PRDDd1-16F-BB0EW |
| 1571103-6 | PRDDA1-16F-BR0HW | 1571113-4 | PRDDd3-16F-BB000 |
| 1571113-7 | PRDDd3-16F-BR000 | 1571113-5 | PRDDd3-16F-BB0FW |
| | | 1571113-6 | PRDDd3-16F-BB0GW |