



Chipsmall Limited consists of a professional team with an average of over 10 year of expertise in the distribution of electronic components. Based in Hongkong, we have already established firm and mutual-benefit business relationships with customers from,Europe,America and south Asia,supplying obsolete and hard-to-find components to meet their specific needs.

With the principle of “Quality Parts,Customers Priority,Honest Operation,and Considerate Service”,our business mainly focus on the distribution of electronic components. Line cards we deal with include Microchip,ALPS,ROHM,Xilinx,Pulse,ON,Everlight and Freescale. Main products comprise IC,Modules,Potentiometer,IC Socket,Relay,Connector.Our parts cover such applications as commercial,industrial, and automotives areas.

We are looking forward to setting up business relationship with you and hope to provide you with the best service and solution. Let us make a better world for our industry!



## Contact us

Tel: +86-755-8981 8866 Fax: +86-755-8427 6832

Email & Skype: info@chipsmall.com Web: www.chipsmall.com

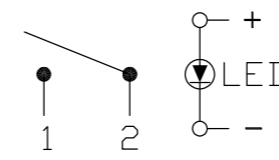
Address: A1208, Overseas Decoration Building, #122 Zhenhua RD., Futian, Shenzhen, China



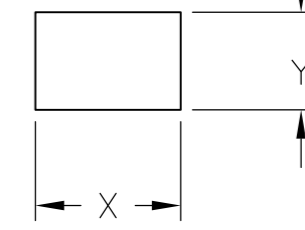
THIS DRAWING IS UNPUBLISHED. RELEASED FOR PUBLICATION  
 © COPYRIGHT BY TYCO ELECTRONICS CORPORATION. ALL RIGHTS RESERVED.

LOC	DIST	REVISIONS			
P	LTR	DESCRIPTION	DATE	DWN	APVD
AD	00	G1	REVISED PER ECO-10-005254	19MAR10	HMR NE

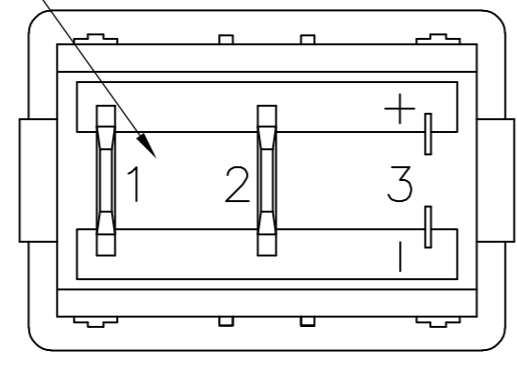
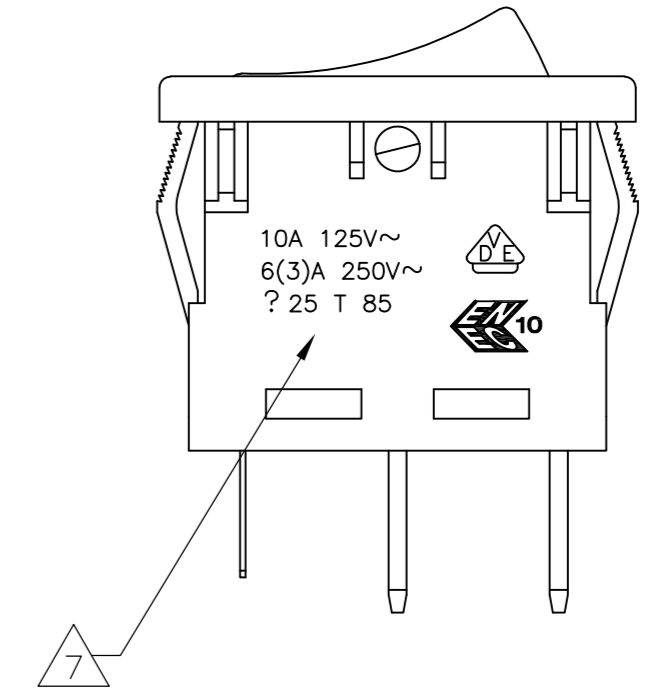
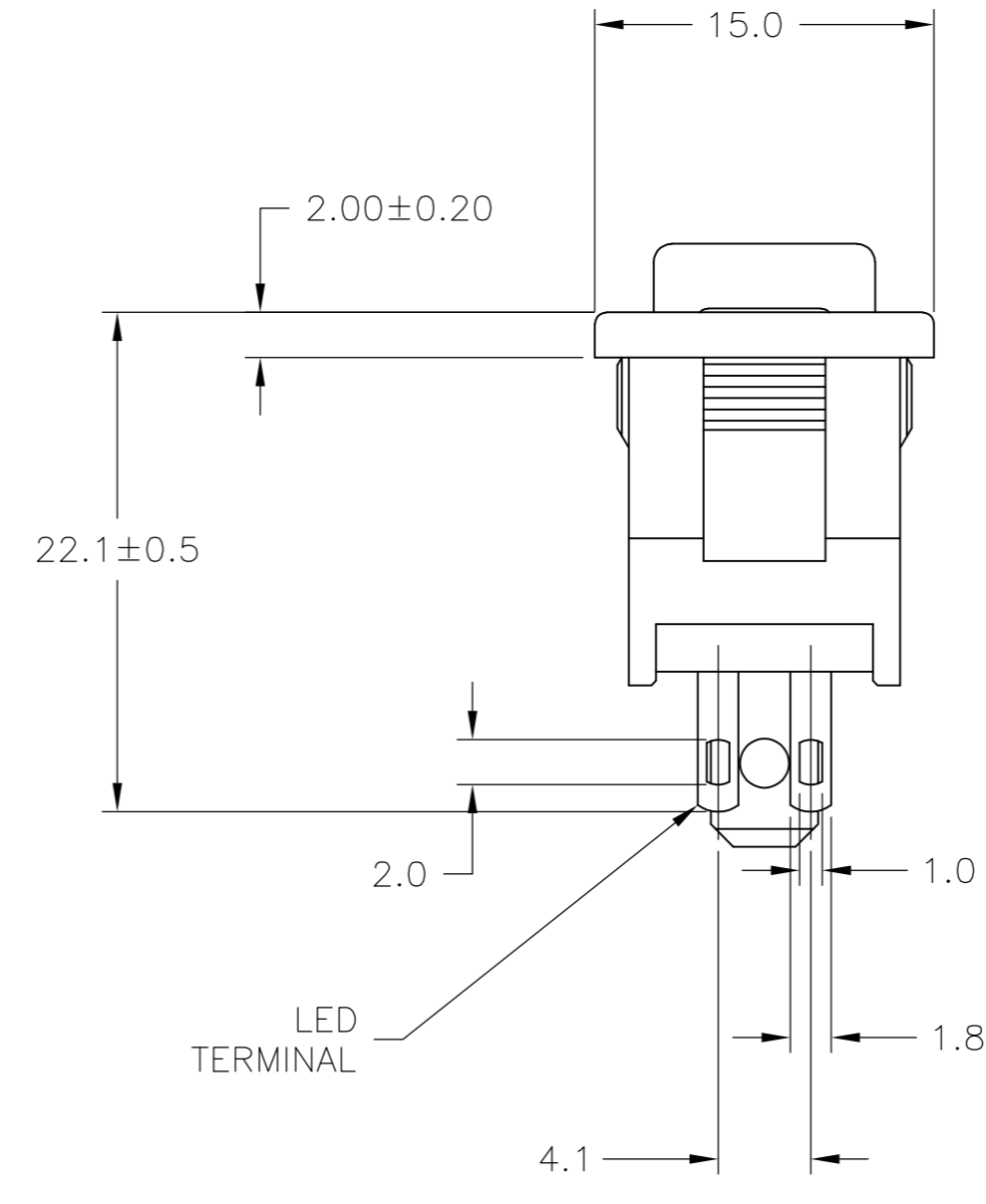
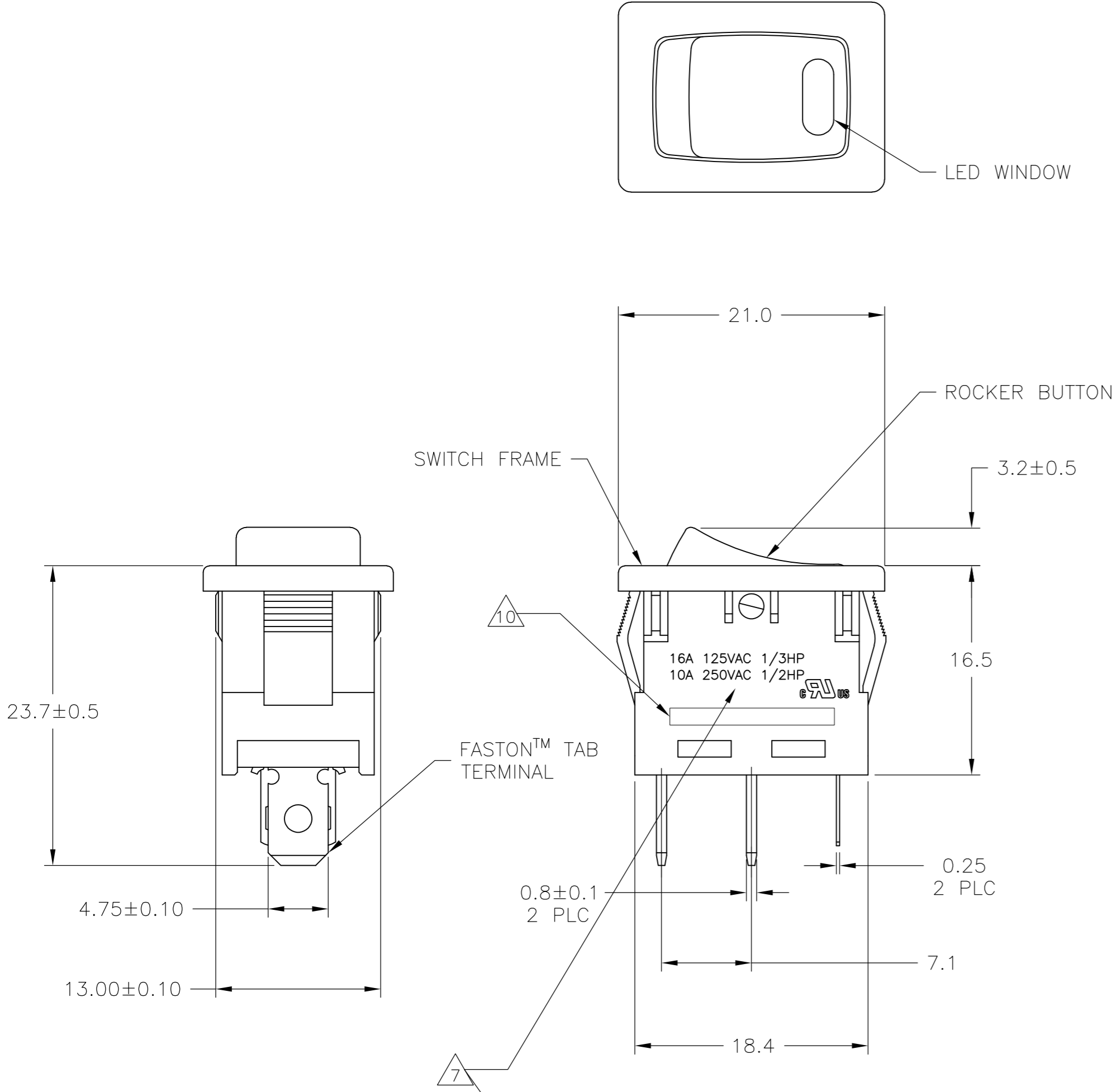
SWITCH FUNCTION C1  
 CIRCUIT DIAGRAM



PANEL CUT OUT



2.00-3.00	19.8-0.1	13.0+0.1
1.25-2.00	19.4-0.1	13.0+0.1
0.75-1.25	19.2-0.1	13.0+0.1
PANEL THICKNESS	X	Y



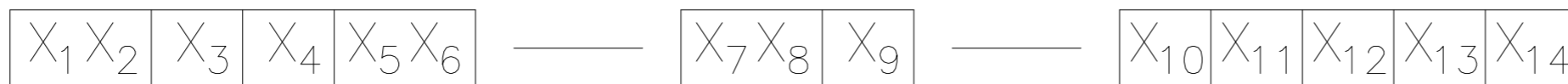
THIS DRAWING IS A CONTROLLED DOCUMENT.

DWN	M.BINNER	25FEB2002	Tyco Electronics Corporation Harrisburg, PA 17057	
CHK	J.MOSIER	-	NAME	
APVD	-	-	POWER ROCKER SWITCH, 13.0mm X 19.2mm PANEL CUT-OUT SIZE, SINGLE POLE, SINGLE THROW, FOUR TERMINALS, LED-ILLUMINATED	
PRODUCT SPEC	NOT APPLICABLE		SIZE	RESTRICTED TO
APPLICATION SPEC	NOT APPLICABLE		A2	-
MATERIAL	FINISH	WEIGHT	CAGE CODE	DRAWING NO.
1	2	-	00779	C=1571083
CUSTOMER DRAWING			SCALE	SHEET
			3:1	1 OF 2
				REV G1

THIS DRAWING IS UNPUBLISHED. RELEASED FOR PUBLICATION  
 © COPYRIGHT BY TYCO ELECTRONICS CORPORATION. ALL RIGHTS RESERVED.

LOC	DIST	REVISIONS			
P	LTR	DESCRIPTION	DATE	DWN	APVD
AD	00	SEE SHEET 1	-	-	-

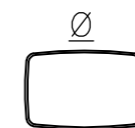
### ALCOSWITCH PART NUMBER



SWITCH TYPE: X1 X2 = PR - POWER ROCKER  
 NOMINAL PANEL CUT OUT SIZE: X3 = A - 13.0x19.2  
 NUMBER OF POLES: X4 = S - SINGLE  
 SWITCH FUNCTION: X5 X6 = C1 - ON-OFF, OPAQUE, LED ILLUMINATED WINDOW, ROCKER BUTTON  
 CURRENT RATING: X7 X8 = 16 - 6  
 TERMINAL TYPE: X9 = F - FASTON™ TAB  
                   L - SOLDER LUG  
 FRAME COLOR: X10 = B - BLACK  
                   W - WHITE  
 ROCKER COLOR: X11 = B - BLACK  
                   G - GREEN  
                   R - RED  
                   W - WHITE

LED COLOR: X12 = A - AMBER  
                   G - GREEN  
                   R - RED

LEGEND TEXT PATTERN: X13 =



LEGEND TEXT COLOR: X14 = Ø - NOT APPLICABLE

- 1 MATERIALS:**  
 ROCKER BUTTON & HOUSING: NYLON 66, UL 94 V-2.  
 LED WINDOW: POLYCARBONATE, UL 94 V-2  
 TERMINAL, ACTIVE CONTACTOR: COPPER ALLOY PER ASTM B152/B152M  
 LED TERMINALS, PLUNGER: COPPER ALLOY PER ASTM B036  
 SPRING: STEEL WIRE PER ASTM A228/A228M  
 CONTACT: SILVER-TIN OXIDE
- 2 FINISH:**  
 TERMINAL, ACTIVE CONTACTOR: 1.0µm MIN SILVER  
 PLUNGER: 3.0µm MIN NICKEL  
 LED TERMINALS: 3.0µm MIN TIN
- 3 ELECTRICAL SPECIFICATIONS:**  
 CURRENT AND VOLTAGE: 6  
 CONTACT RESISTANCE (INITIAL): <100mΩ (5V, 1A DC)  
 DIELECTRIC STRENGTH (INITIAL): >1000 VAC, 1 MINUTE  
 INSULATION RESISTANCE (INITIAL): >100MΩ MIN (500VDC BETWEEN OPEN CONTACTS)  
 INRUSH CURRENT: 50A / 3msec (CAPACITIVE LOAD)  
 ELECTRICAL LIFE ENDURANCE: >6000 OPERATIONS, VOLTAGE DROP: <100mV  
 TEMPERATURE RISE AT TERMINALS: <30°C, 6000 OPERATIONS  
 (AMBIENT CONDITIONS: 25±2°C AND 65±5%R.H)  
 LED - RED: FORWARD VOLTAGE 2.0 VDC AT 20mA FORWARD CURRENT  
 GREEN: FORWARD VOLTAGE 2.2 VDC AT 20mA FORWARD CURRENT  
 AMBER: FORWARD VOLTAGE 2.1 VDC AT 20mA FORWARD CURRENT
- 4 MECHANICAL SPECIFICATIONS:**  
 ACTUATING FORCE: 150g MIN, 650g MAX  
 OPERATING LIFE ENDURANCE: >100,000 OPERATIONS  
 TERMINAL RETENTION STRENGTH: >2.5kg- SOLDER LUG  
   >6.8kg- FASTON TAB

- 5 ENVIRONMENTAL SPECIFICATIONS:**  
 AMBIENT TEMPERATURE: -20°C TO +85°C  
 HUMIDITY: MAX 85%  
 SALT SPRAY: NO REMAKABLE RUST IN METAL PARTS. (5%SALT / 35°C 24HRS)  
 SHOCK: NO MECHANICAL DEFECT OR DAMAGE. (100g / 10MSEC/ X,Y,Z 3 TIMES)  
 VIBRATION: NO MECHANICAL DEFECT OR DAMAGE. (10-55Hz /1.5mm/ X,Y,Z 2HRS)
- 6 UL: 16A@125VAC ½HP / 10A@250VAC ½HP**  
 ENEC: 10A 125V~, 6(3)A 250V~, µ25T85
- 7 ELECTRICAL RATINGS, APPROVED AGENCY LOGOS, TERMINAL IDENTIFICATION NUMBERS, LED POLARITY SYMBOLS , MOLDED APPROXIMATELY AS SHOWN ON THE SIDE AND BOTTOM SURFACES OF THE SWITCH HOUSING.**
- 8 COMPONENT RECOGNIZED TO US AND CANADIAN STANDARDS, UL FILE NO. E46765.**
- 9 COMPONENT RECOGNIZED TO EUROPEAN STANDARDS (ENEC & VDE). MARKS LICENSE No. 40006757**
- 10 TYCO ELECTRONICS LOGO LOCATED APPROXIMATELY AS SHOWN**

PRASC1-16F-BBR00	1571083-2
ALCOSWITCH PART NUMBER	TYCO PART NUMBER

THIS DRAWING IS A CONTROLLED DOCUMENT.		DWN M.BINNER	25FEB2002	Tyco Electronics Corporation Harrisburg, PA 17057	
DIMENSIONS: MM		CHK J.MOSIER	APVD	NAME POWER ROCKER SWITCH, 13.0mm X 19.2mm PANEL CUT-OUT SIZE, SINGLE POLE, SINGLE THROW, FOUR TERMINALS, LED-ILLUMINATED	
TOLERANCES UNLESS OTHERWISE SPECIFIED:		PRODUCT SPEC	APPLICATION SPEC	SIZE A2	CAGE CODE 00779
0 PLC ± -		NOT APPLICABLE		DRAWING NO	RESTRICTED TO
1 PLC ± 0.30		NOT APPLICABLE		C=1571083	-
2 PLC ± 0.05		NOT APPLICABLE		SCALE 3:1	SHEET 2 OF 2
3 PLC ± -		NOT APPLICABLE		REV G1	
4 PLC ± -		NOT APPLICABLE			
ANGLES ± -		NOT APPLICABLE			
FINISH		WEIGHT -		CUSTOMER DRAWING	