



Chipsmall Limited consists of a professional team with an average of over 10 year of expertise in the distribution of electronic components. Based in Hongkong, we have already established firm and mutual-benefit business relationships with customers from,Europe,America and south Asia,supplying obsolete and hard-to-find components to meet their specific needs.

With the principle of “Quality Parts,Customers Priority,Honest Operation,and Considerate Service”,our business mainly focus on the distribution of electronic components. Line cards we deal with include Microchip,ALPS,ROHM,Xilinx,Pulse,ON,Everlight and Freescale. Main products comprise IC,Modules,Potentiometer,IC Socket,Relay,Connector.Our parts cover such applications as commercial,industrial, and automotives areas.

We are looking forward to setting up business relationship with you and hope to provide you with the best service and solution. Let us make a better world for our industry!



Contact us

Tel: +86-755-8981 8866 Fax: +86-755-8427 6832

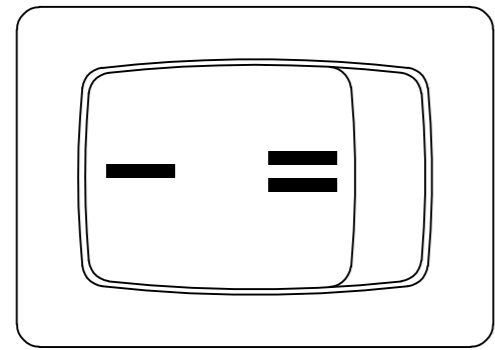
Email & Skype: info@chipsmall.com Web: www.chipsmall.com

Address: A1208, Overseas Decoration Building, #122 Zhenhua RD., Futian, Shenzhen, China

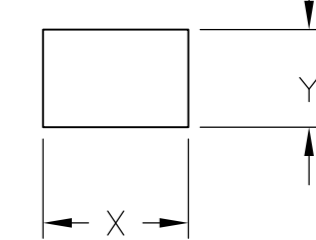


THIS DRAWING IS UNPUBLISHED. RELEASED FOR PUBLICATION
 © COPYRIGHT - By - ALL RIGHTS RESERVED.

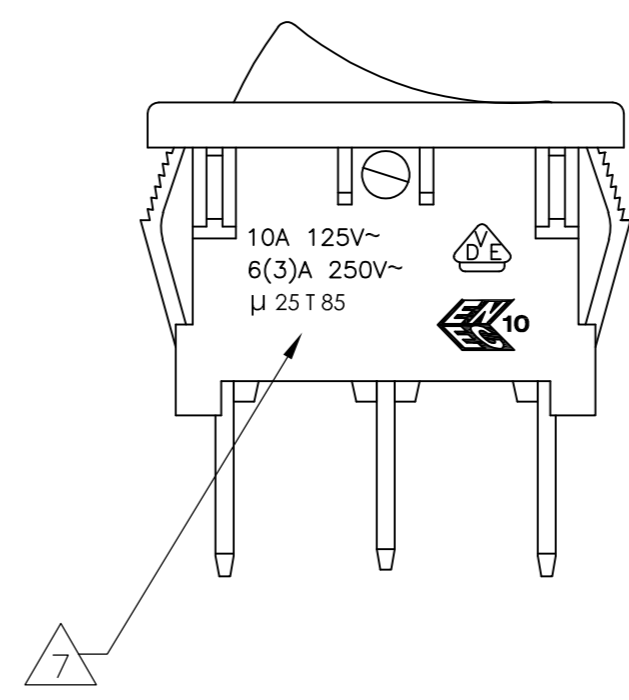
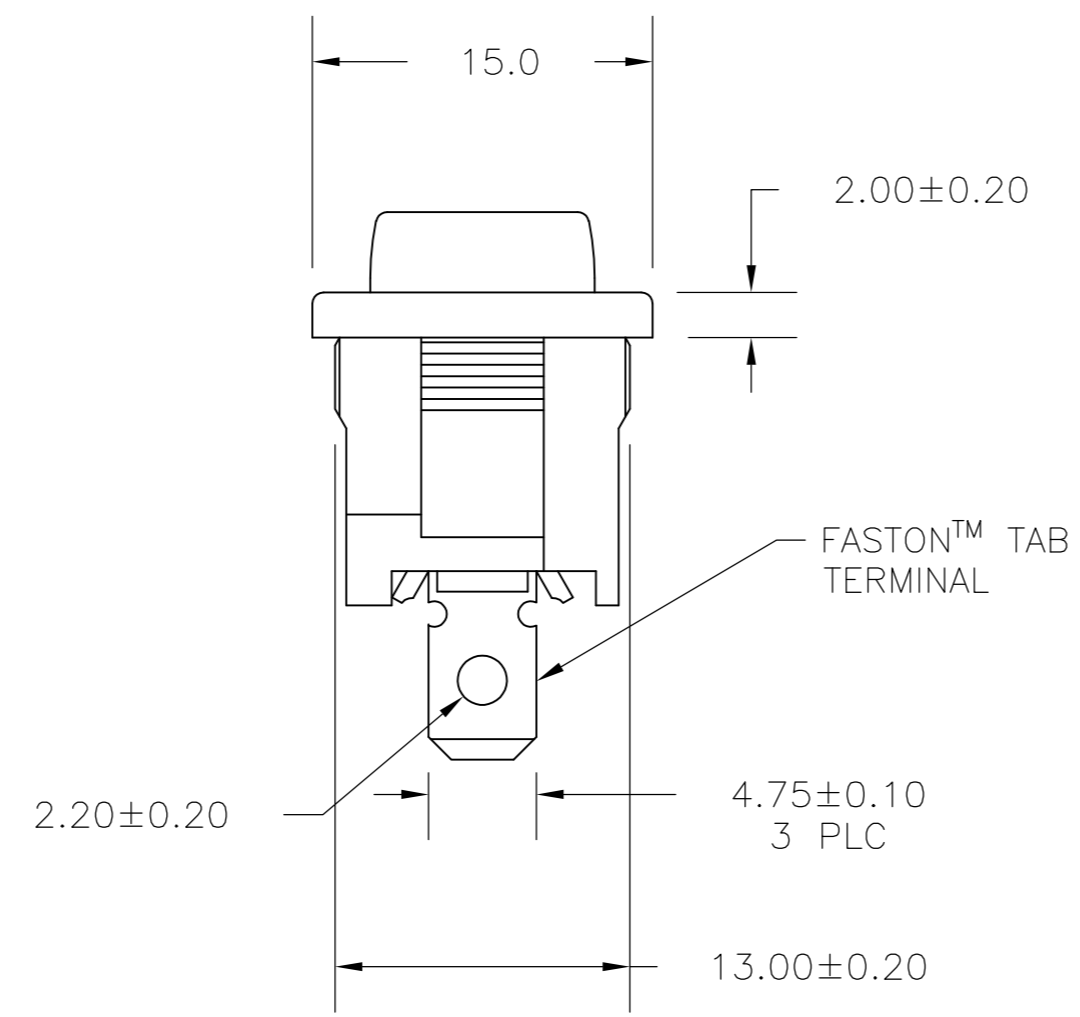
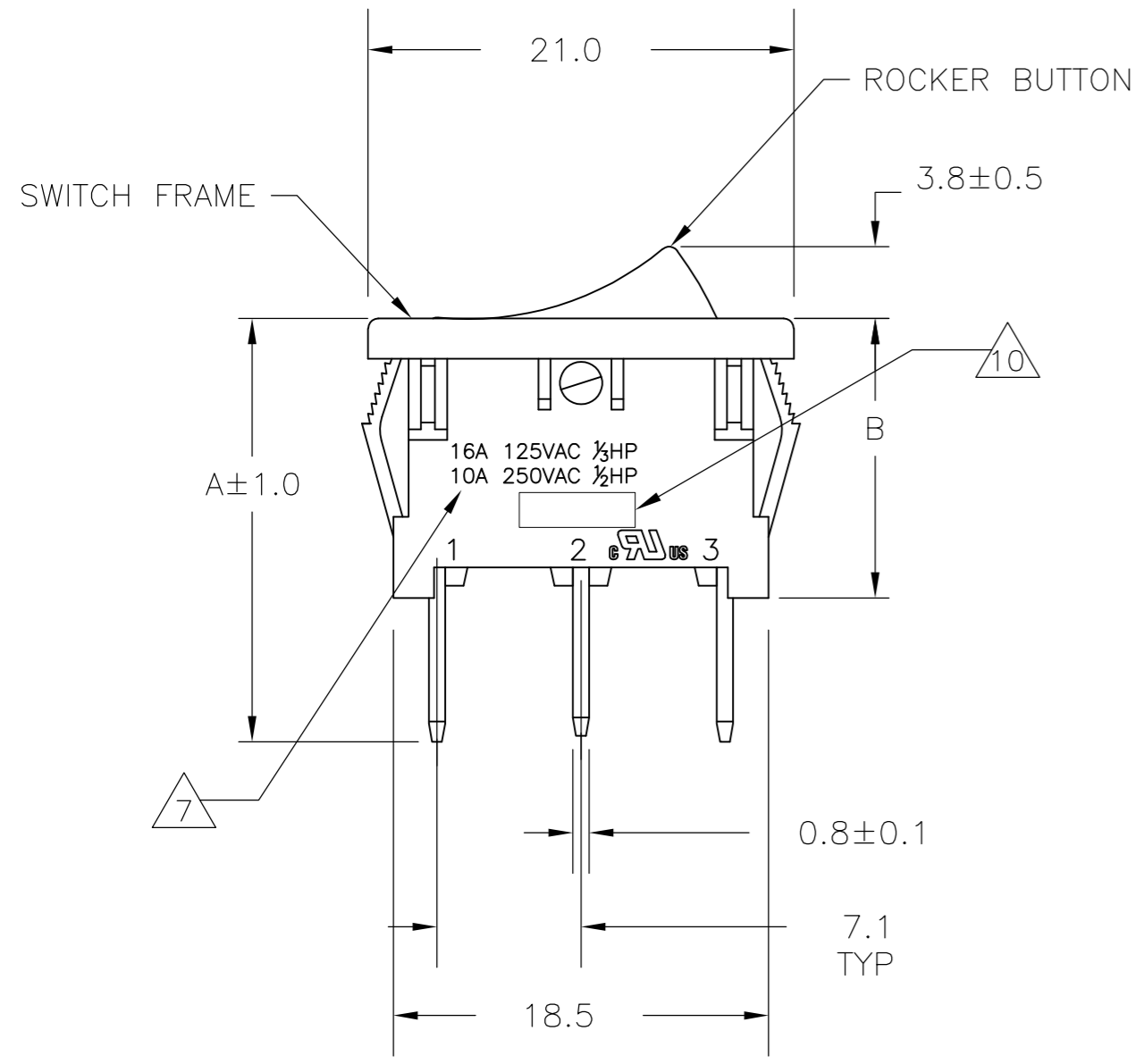
LOC	DIST	REVISIONS			
P	LTR	DESCRIPTION	DATE	DWN	APVD
AD	00	L1	REVISED PER ECO-11-004820	11MAR11	RK HMR



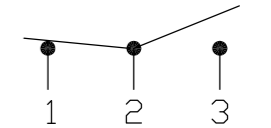
PANEL CUT OUT



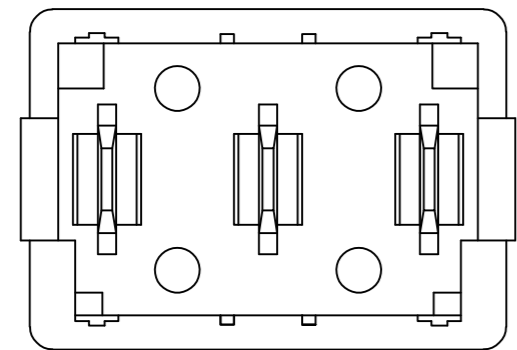
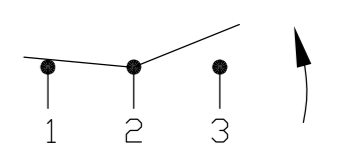
2.00-3.00	19.8-0.1	13.0+0.1
1.25-2.00	19.4-0.1	13.0+0.1
0.75-1.25	19.2-0.1	13.0+0.1
PANEL THICKNESS	X	Y



SWITCH FUNCTION D1
CIRCUIT DIAGRAM



SWITCH FUNCTION D2
CIRCUIT DIAGRAM

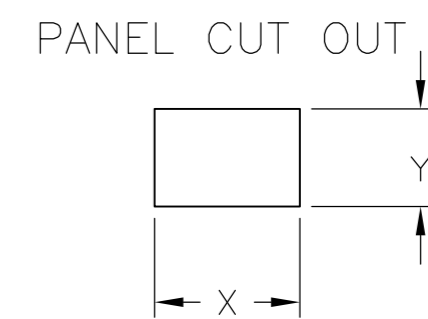
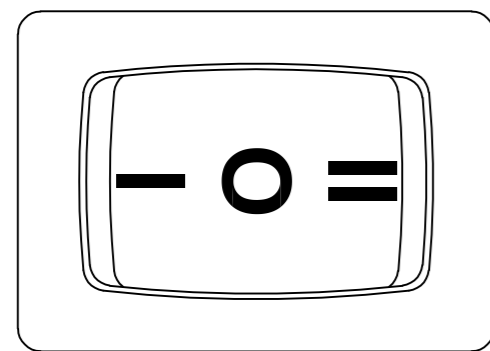


1571079-5 SHOWN
(TWO ROCKER BUTTON POSITIONS)

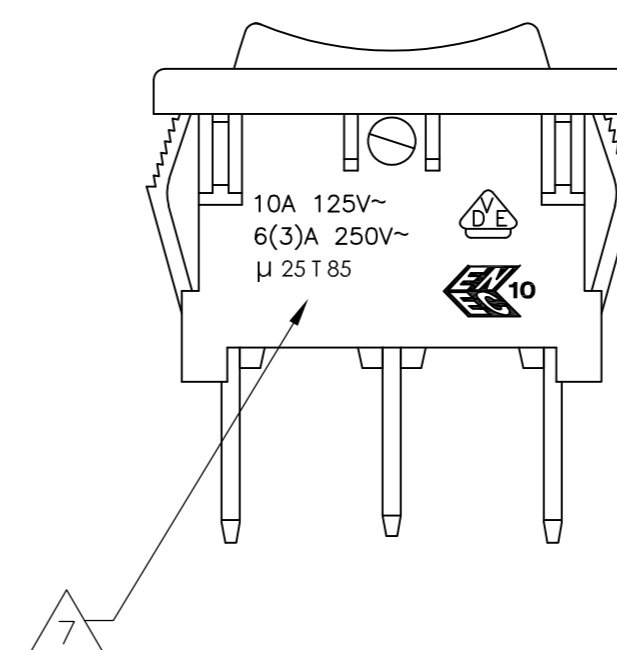
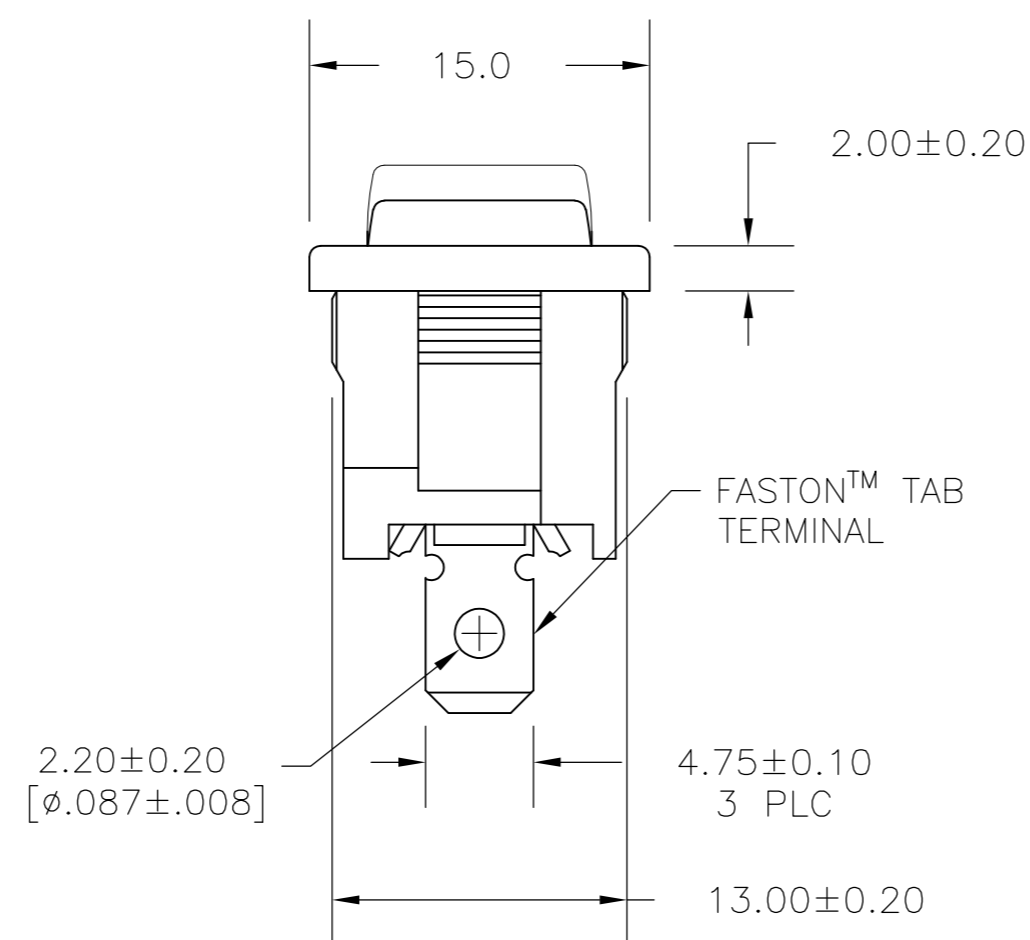
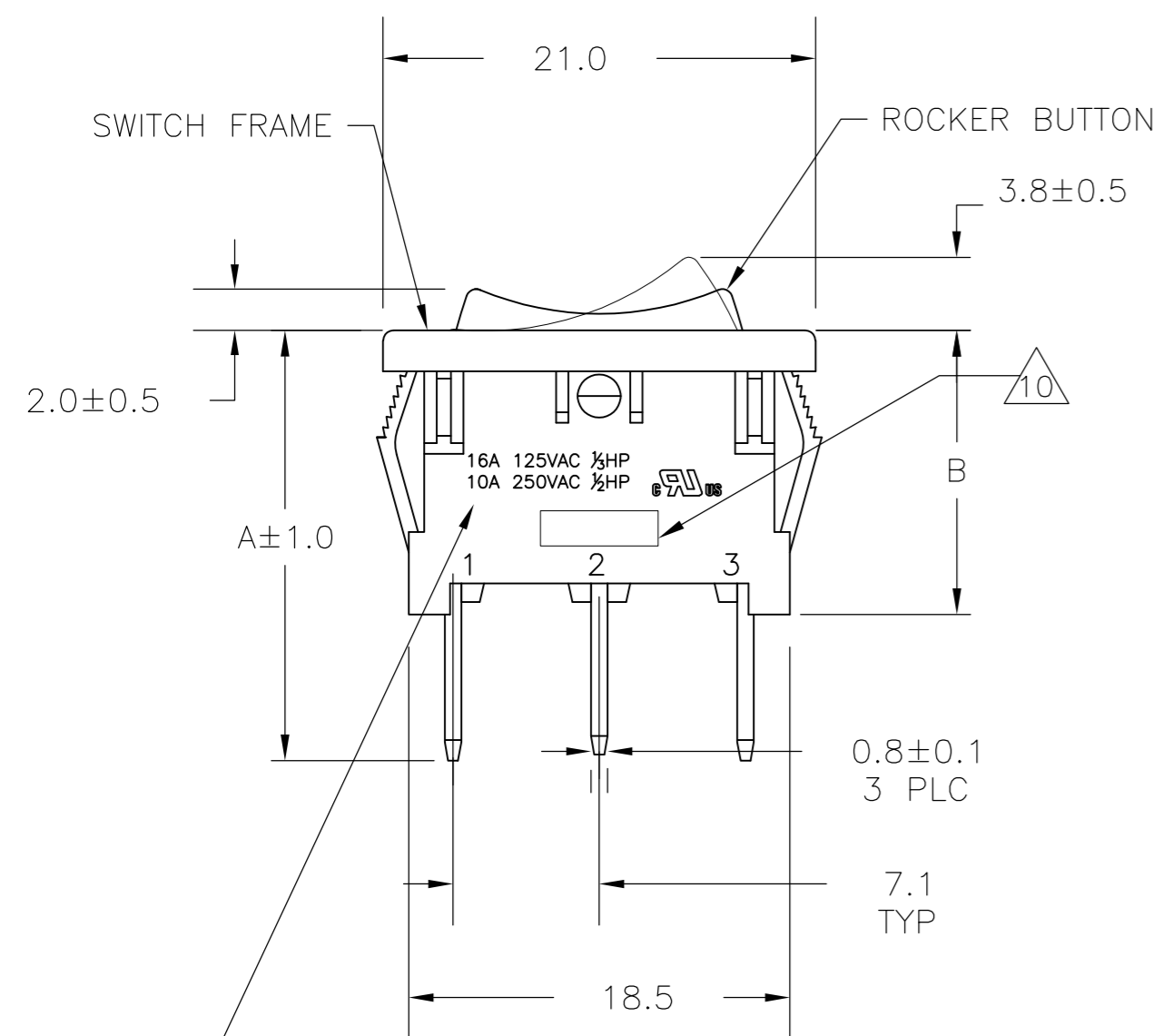
THIS DRAWING IS A CONTROLLED DOCUMENT.		DWN M.BINNER	25FEB2002	TE TE Connectivity	
DIMENSIONS: mm		CHK J.MOSIER	APVD -		
TOLERANCES UNLESS OTHERWISE SPECIFIED:		PRODUCT SPEC NOT APPLICABLE		SIZE A2	CAGE CODE 00779
0 PLC ± -		APPLICATION SPEC NOT APPLICABLE		DRAWING NO C=1571079	RESTRICTED TO -
1 PLC ± 0.30		WEIGHT -		SCALE 3:1	SHEET 1 of 3
2 PLC ± 0.05		MATERIAL 1		REV L1	
3 PLC ± -		FINISH 2			
4 PLC ± -		CUSTOMER DRAWING			
ANGLES ± -					

THIS DRAWING IS UNPUBLISHED. RELEASED FOR PUBLICATION
 © COPYRIGHT - By - ALL RIGHTS RESERVED.

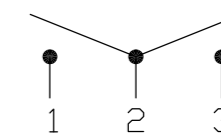
LOC		DIST		REVISIONS			
P	LTR	DESCRIPTION	DATE	DWN	APVD		
-	-	SEE SHEET 1	-	-	-		



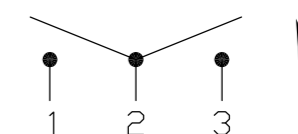
2.00-3.00	19.8-0.1	13.0+0.1
1.25-2.00	19.4-0.1	13.0+0.1
0.75-1.25	19.2-0.1	13.0+0.1
PANEL THICKNESS	X	Y



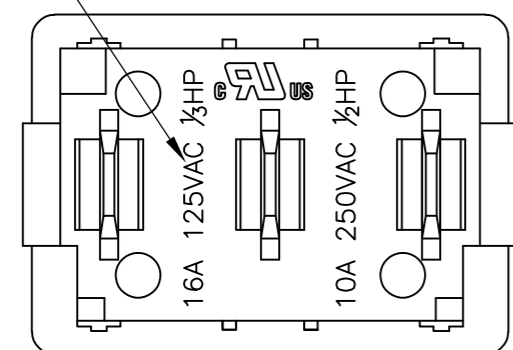
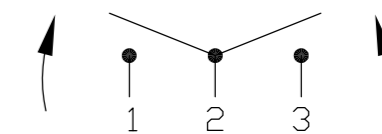
SWITCH FUNCTION D3
CIRCUIT DIAGRAM



SWITCH FUNCTION D4
CIRCUIT DIAGRAM



SWITCH FUNCTION D5
CIRCUIT DIAGRAM



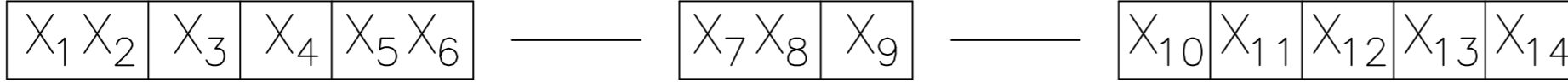
1-1571079-4 SHOWN
(THREE ROCKER BUTTON POSITIONS)

THIS DRAWING IS A CONTROLLED DOCUMENT.		DWN	M.BINNER	25FEB2002	STE TE Connectivity	
DIMENSIONS: mm		CHK	J.MOSIER	APVD		
TOLERANCES UNLESS OTHERWISE SPECIFIED:		PRODUCT SPEC			POWER ROCKER SWITCH, 13.0mm X 19.2mm	
0 PLC ± -		APPLICATION SPEC			PANEL CUT-OUT SIZE, SINGLE POLE, DOUBLE-THROW, THREE TERMINALS, NON-ILLUMINATED	
1 PLC ± 0.30		WEIGHT			RESTRICTED TO	
2 PLC ± 0.05		CUSTOMER DRAWING			SCALE 3:1 SHEET 2 of 3 REV L1	
3 PLC ± -		MATERIAL			SIZE CAGE CODE DRAWING NO	
4 PLC ± -		FINISH			A2 00779 C=1571079	
ANGLES ± -						

THIS DRAWING IS UNPUBLISHED. RELEASED FOR PUBLICATION
 © COPYRIGHT - By - ALL RIGHTS RESERVED.

LOC		DIST		REVISIONS			
P	LTR	DESCRIPTION	DATE	DWN	APVD		
		SEE SHEET 1					

ALCOSWITCH PART NUMBER



SWITCH TYPE: X1 X2 = PR - POWER ROCKER

NOMINAL PANEL CUT OUT SIZE: X3 = A - 13.0x19.2

NUMBER OF POLES: X4 = S - SINGLE

SWITCH FUNCTION: X5 X6 = D1 - ON-ON WITH OPAQUE, SINGLE-COLOR ROCKER BUTTON
D2 - ON-(ON) WITH OPAQUE, SINGLE-COLOR ROCKER BUTTON
D3 - ON-OFF-ON WITH OPAQUE, SINGLE-COLOR ROCKER BUTTON
D4 - ON-OFF-(ON) WITH OPAQUE, SINGLE-COLOR ROCKER BUTTON
D5 - (ON)-OFF-(ON), WITH OPAQUE, SINGLE-COLOR ROCKER BUTTON

CURRENT RATING: X7 X8 = 16 - 6

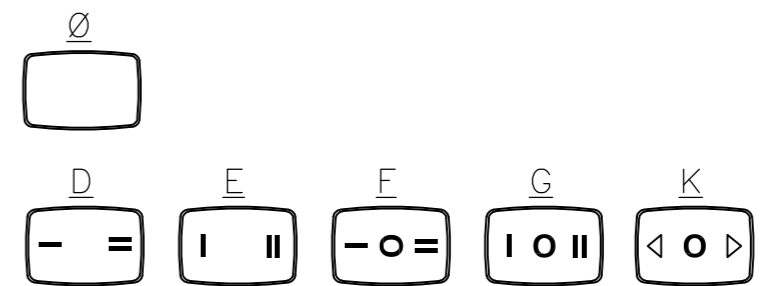
TERMINAL TYPE: X9 = E - FASTON™ TAB
L - SOLDER LUG

FRAME COLOR: X10 = B - BLACK
W - WHITE

ROCKER COLOR: X11 = B - BLACK
G - GREEN
R - RED
W - WHITE

SECONDARY ROCKER COLOR: X12 = Ø - NOT APPLICABLE
B - BLACK
G - GREEN
R - RED
W - WHITE

LEGEND TEXT PATTERN: X13 =



LEGEND TEXT COLOR: X14 = Ø - NOT APPLICABLE
G - GREEN
R - RED
B - BLACK
W - WHITE

1 MATERIALS:
 ROCKER BUTTON & HOUSING FRAME: NYLON 66, UL 94 V-2.
 TERMINAL, ACTIVE CONTACTOR: COPPER ALLOY PER ASTM B152/B152M
 PLUNGER: COPPER ALLOY PER ASTM B036
 PHENOLIC, UL94V1(SWITCH FUNCTION D5 ONLY)
 SPRING: STEEL WIRE PER ASTM A228/A228M
 CONTACT: SILVER-TIN OXIDE

6 UL: 16A@125VAC 1/3HP / 10A@250VAC 1/2HP
 ENEC: 10A 125V~, 6(3)A 250V~, µ25T85

7 ELECTRICAL RATINGS, APPROVED AGENCY LOGOS, TERMINAL IDENTIFICATION NUMBERS, MOLDED APPROXIMATELY AS SHOWN ON THE SIDE AND/OR BOTTOM SURFACE(S) OF THE SWITCH HOUSING.

8 COMPONENT RECOGNIZED TO US & CANADIAN STANDARDS, UL FILE NO. E46765.

9 COMPONENT RECOGNIZED TO EUROPEAN STANDARDS (ENEC, PENDING VDE). MARKS LICENSE No. 40006757

10 TE CONNECTIVITY LOGO LOCATED APPROXIMATELY AS SHOWN PER TEC 202-36

2 FINISH:
 TERMINAL, ACTIVE CONTACTOR: 1.0µm MIN SILVER
 COPPER ALLOY PLUNGER: 3.0µm MIN NICKEL

3 ELECTRICAL SPECIFICATIONS:
 CURRENT AND VOLTAGE: **6**
 CONTACT RESISTANCE (INITIAL): <100mΩ (5V, 1A DC)
 DIELECTRIC STRENGTH (INITIAL): >1000 VAC, 1 MINUTE
 INSULATION RESISTANCE (INITIAL): >100MΩ MIN (500VDC BETWEEN OPEN CONTACTS)
 INRUSH CURRENT: 50A / 3msec (CAPACITIVE LOAD)
 ELECTRICAL LIFE ENDURANCE: >6000 OPERATIONS, VOLTAGE DROP: <100mV
 TEMPERATURE RISE AT TERMINALS: <30°C, 6000 OPERATIONS (AMBIENT CONDITIONS: 25±2°C AND 65±5%R.H)

4 MECHANICAL SPECIFICATIONS:
 ACTUATING FORCE: 150g MIN, 650g MAX
 OPERATING LIFE ENDURANCE: >100,000 OPERATIONS
 TERMINAL RETENTION STRENGTH: >2.5kg- SOLDER LUG
 >6.8kg- FASTON TAB

5 ENVIRONMENTAL SPECIFICATIONS:
 AMBIENT TEMPERATURE: -20°C TO +85°C
 HUMIDITY: MAX 85%
 SALT SPRAY: NO REMAKABLE RUST IN METAL PARTS. (5%SALT / 35°C 24HRS)
 SHOCK: NO MECHANICAL DEFECT OR DAMAGE. (100g / 10MSEC/ X,Y,Z 3 TIMES)
 VIBRATION: NO MECHANICAL DEFECT OR DAMAGE. (10-55Hz /1.5mm/ X,Y,Z 2HRS)

16.5	23.5	2	PRASD5-16F-BB0KW	1-1571079-6
16.5	23.5	2	PRASD4-16F-BB0GW	1-1571079-5
16.5	23.5	2	PRASD4-16F-BB0FW	1-1571079-4
16.5	23.5	2	PRASD4-16F-BB000	1-1571079-3
13.8	20.9	1	PRASD2-16F-BB0EW	1-1571079-2
13.8	20.9	1	PRASD2-16F-BB0DW	1-1571079-1
13.8	20.9	1	PRASD2-16F-BB000	1-1571079-0
16.5	23.5	2	PRASD3-16F-BB0GW	1571079-9
16.5	23.5	2	PRASD3-16F-BB0FW	1571079-8
16.5	23.5	2	PRASD3-16F-BB000	1571079-7
13.8	20.9	1	PRASD1-16F-BB0EW	1571079-6
13.8	20.9	1	PRASD1-16F-BB0DW	1571079-5
13.8	20.9	1	PRASD1-16F-BB000	1571079-4
B	A	SHEET REF.	ALCOSWITCH PART NUMBER	PART NUMBER

THIS DRAWING IS A CONTROLLED DOCUMENT.		DWN M.BINNER	25FEB2002	TE Connectivity	
DIMENSIONS: mm		CHK J.MOSIER	APVD -	NAME POWER ROCKER SWITCH, 13.0mm X 19.2mm	
TOLERANCES UNLESS OTHERWISE SPECIFIED:		PRODUCT SPEC NOT APPLICABLE		PANEL CUT-OUT SIZE, SINGLE POLE, DOUBLE-THROW, THREE TERMINALS, NON-ILLUMINATED	
0 PLC ± -		APPLICATION SPEC NOT APPLICABLE		SIZE A2	RESTRICTED TO -
1 PLC ± 0.30		WEIGHT -		CAGE CODE 00779	DRAWING NO 1571079
2 PLC ± 0.05		MATERIAL		SCALE 3:1	SHEET 3 of 3
3 PLC ± -		FINISH		REV L1	
4 PLC ± -		CUSTOMER DRAWING			
ANGLES ± -					