



Chipsmall Limited consists of a professional team with an average of over 10 year of expertise in the distribution of electronic components. Based in Hongkong, we have already established firm and mutual-benefit business relationships with customers from,Europe,America and south Asia,supplying obsolete and hard-to-find components to meet their specific needs.

With the principle of “Quality Parts,Customers Priority,Honest Operation,and Considerate Service”,our business mainly focus on the distribution of electronic components. Line cards we deal with include Microchip,ALPS,ROHM,Xilinx,Pulse,ON,Everlight and Freescale. Main products comprise IC,Modules,Potentiometer,IC Socket,Relay,Connector.Our parts cover such applications as commercial,industrial, and automotives areas.

We are looking forward to setting up business relationship with you and hope to provide you with the best service and solution. Let us make a better world for our industry!



## Contact us

Tel: +86-755-8981 8866 Fax: +86-755-8427 6832

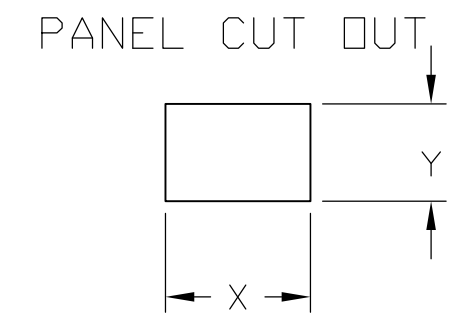
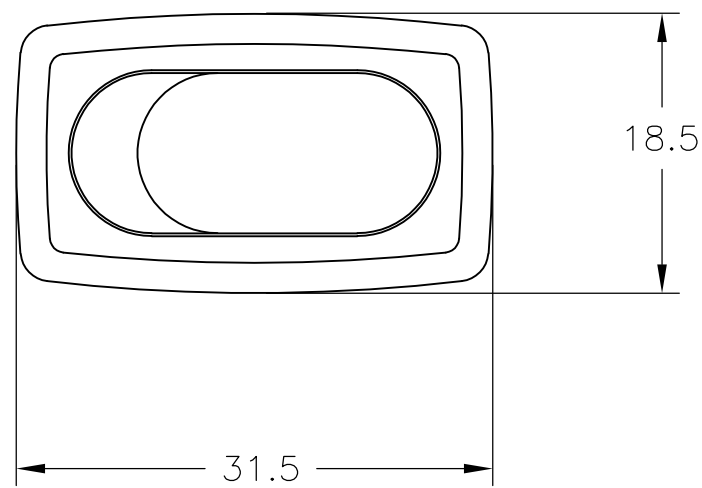
Email & Skype: info@chipsmall.com Web: www.chipsmall.com

Address: A1208, Overseas Decoration Building, #122 Zhenhua RD., Futian, Shenzhen, China

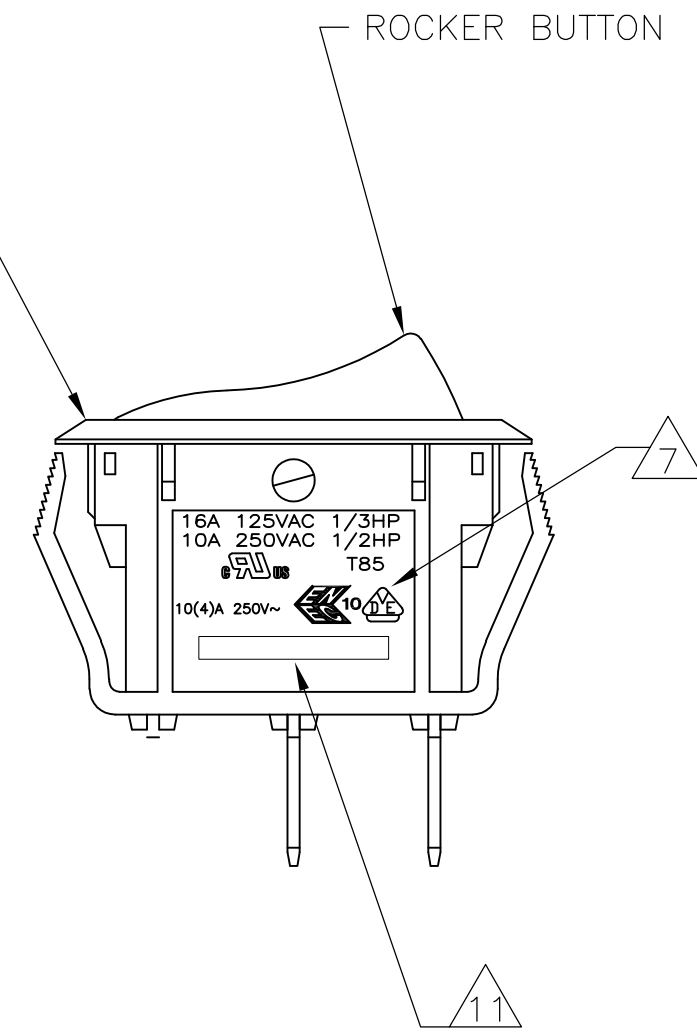
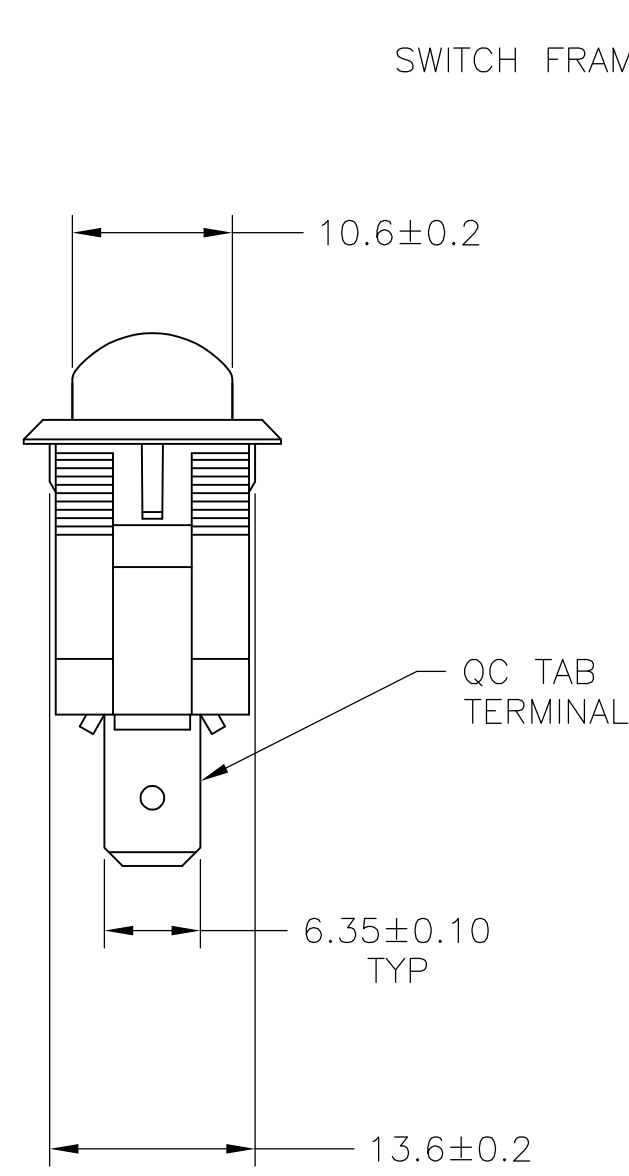
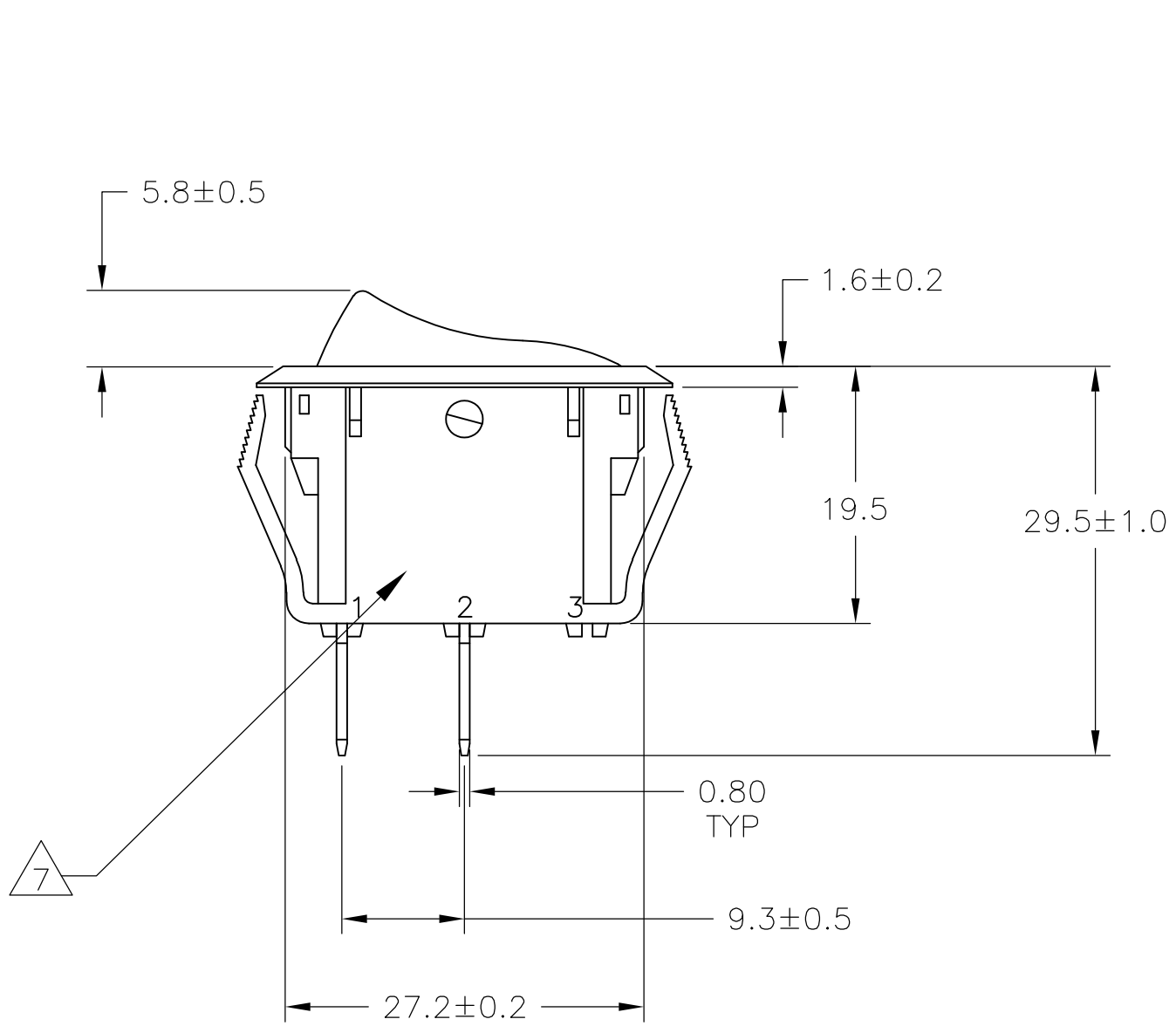


THIS DRAWING IS UNPUBLISHED. RELEASED FOR PUBLICATION  
 © COPYRIGHT - By - ALL RIGHTS RESERVED.

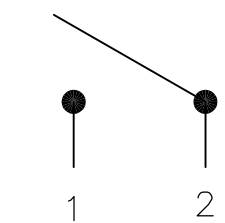
LOC		DIST		REVISIONS			
P	LTR	DESCRIPTION		DATE	DWN	APVD	
AD	00	F2	REVISED PER ECO-11-004917		11MAR11	RK	HMR



4.00-5.00	28.0-0.1	13.8+0.1
3.00-4.00	27.8-0.1	13.8+0.1
0.75-3.00	27.6-0.1	13.8+0.1
PANEL THICKNESS	X	Y



SWITCH FUNCTION A1  
CIRCUIT DIAGRAM

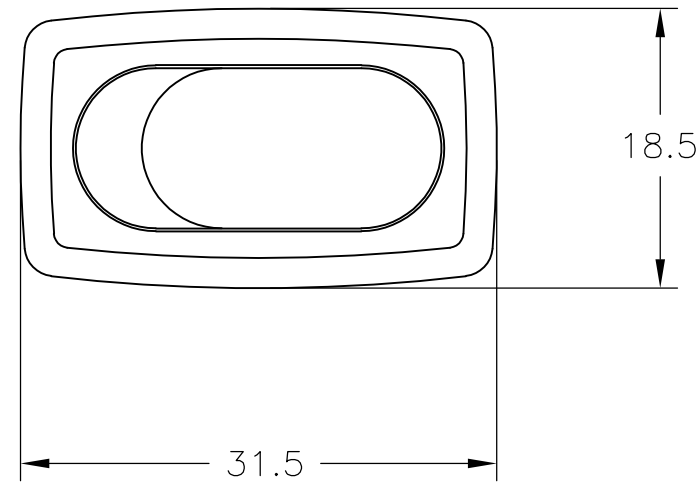


1571091-1 SHOWN

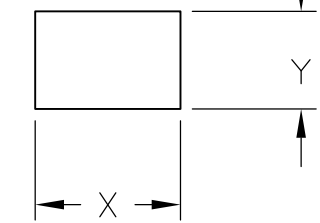
THIS DRAWING IS A CONTROLLED DOCUMENT.		DWN BSV	01APR04		TE Connectivity		
DIMENSIONS: mm		CHK J.MOSIER	APVD JP		NAME POWER ROCKER SWITCH, 13.8mm X 27.6mm PANEL CUT-OUT SIZE, SINGLE POLE, SINGLE THROW, TWO TERMINALS, NON-ILLUMINATED		
TOLERANCES UNLESS OTHERWISE SPECIFIED:		PRODUCT SPEC		SIZE A2	CAGE CODE 00779	DRAWING NO C=1571091	RESTRICTED TO -
MATERIAL 1		FINISH 2		APPLICATION SPEC		WEIGHT -	SCALE 2:1
CUSTOMER DRAWING				SHEET 1 of 3		REV F2	

THIS DRAWING IS UNPUBLISHED. RELEASED FOR PUBLICATION  
 © COPYRIGHT - By - ALL RIGHTS RESERVED.

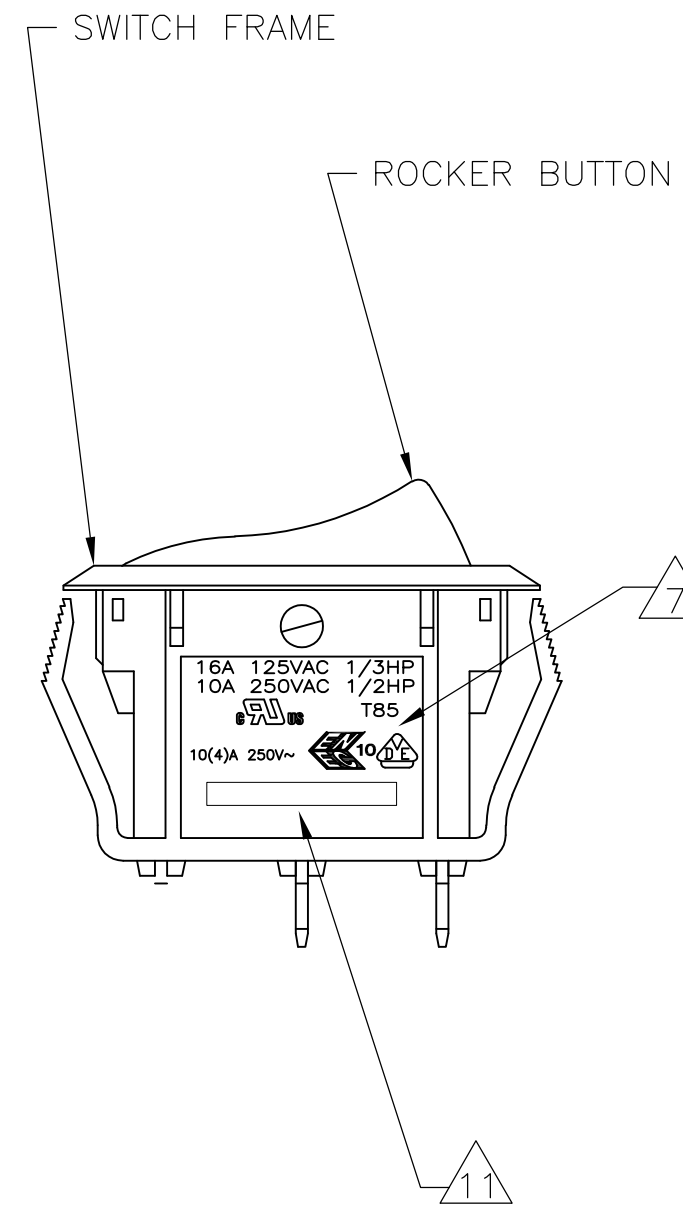
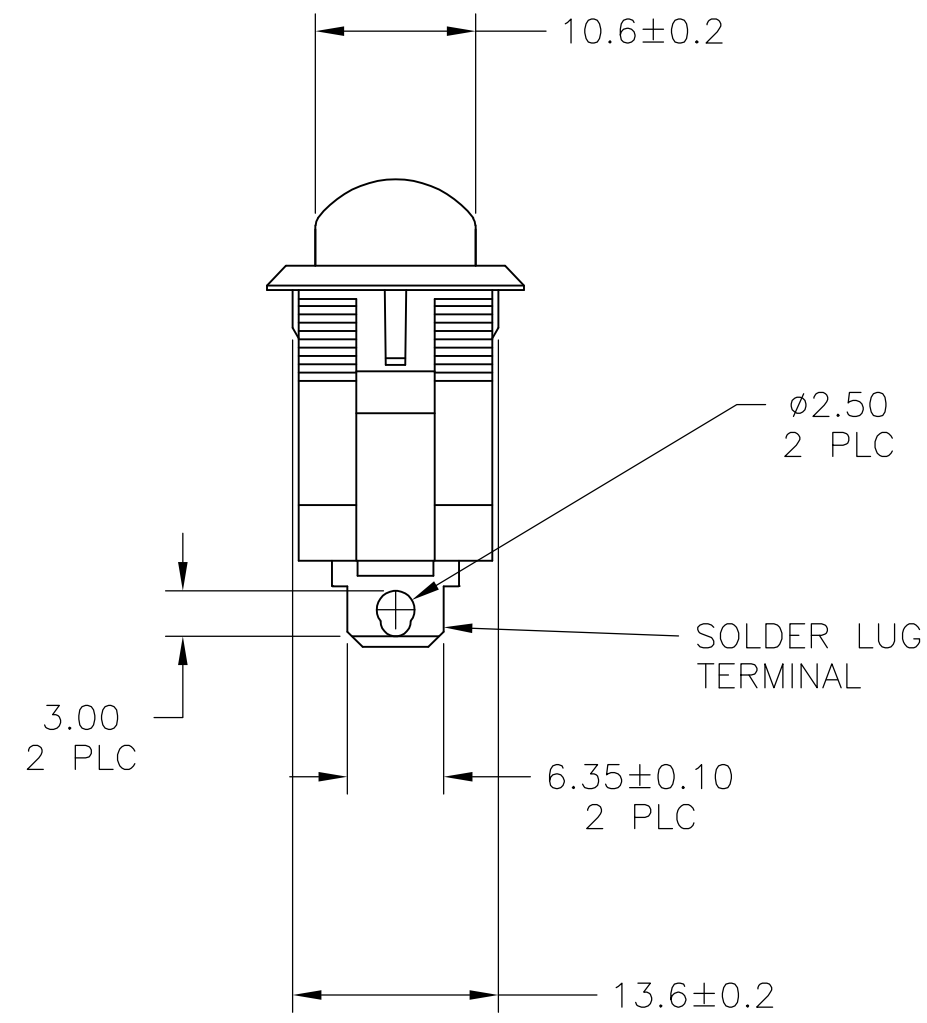
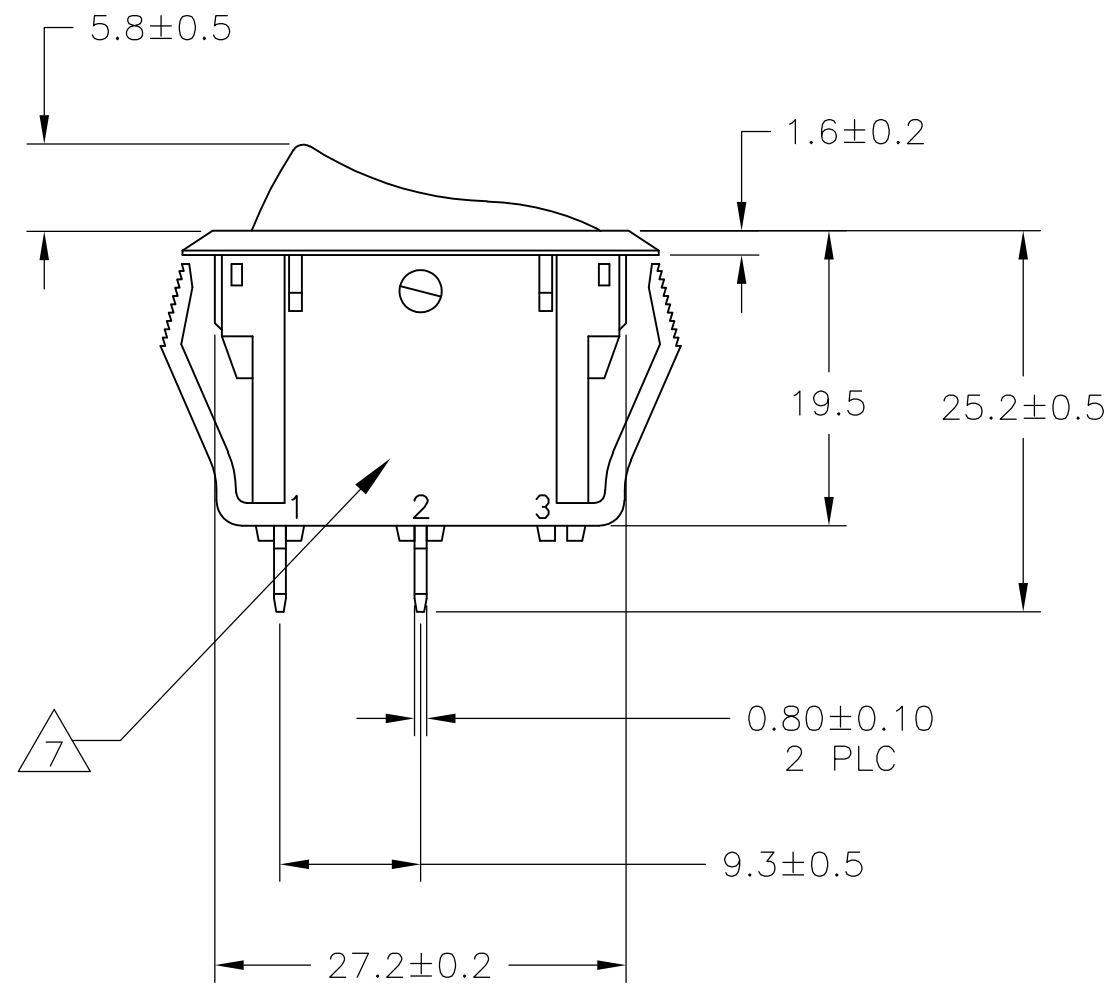
LOC		DIST		REVISIONS			
P	LTR	DESCRIPTION	DATE	DWN	APVD		
-	-	SEE SHEET 1	-	-	-		



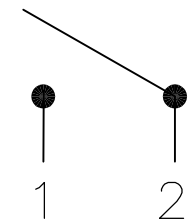
PANEL CUT OUT



4.00-5.00	28.0-0.1	13.8+0.1
3.00-4.00	27.8-0.1	13.8+0.1
0.75-3.00	27.6-0.1	13.8+0.1
PANEL THICKNESS	X	Y



SWITCH FUNCTION A1  
CIRCUIT DIAGRAM



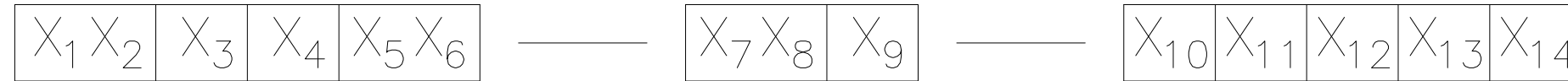
1571091-4 SHOWN

THIS DRAWING IS A CONTROLLED DOCUMENT.		DWN BSV	01APR04		
DIMENSIONS: mm		CHK J.MOSIER	APVD JP		
TOLERANCES UNLESS OTHERWISE SPECIFIED:		PRODUCT SPEC		NAME	
0 PLC ± -	1 PLC ± 0.30	APPLICATION SPEC		POWER ROCKER SWITCH, 13.8mm X 27.6mm	
2 PLC ± 0.05	3 PLC ± -	WEIGHT -		PANEL CUT-OUT SIZE, SINGLE POLE, SINGLE	
4 PLC ± -	ANGLES ± -	MATERIAL 1		THROW, TWO TERMINALS, NON-ILLUMINATED	
FINISH 2		CUSTOMER DRAWING		SIZE A2	CAGE CODE 00779
				DRAWING NO C=1571091	RESTRICTED TO -
				SCALE 2:1	SHEET 2 OF 3
				REV F2	

THIS DRAWING IS UNPUBLISHED. RELEASED FOR PUBLICATION  
 © COPYRIGHT - By - ALL RIGHTS RESERVED.

LOC	DIST	REVISIONS					
AD	00	P	LTR	DESCRIPTION	DATE	DWN	APVD
		-		SEE SHEET 1	-	-	-

LEGACY PART NUMBER



SWITCH TYPE: X1 X2 = PR - POWER ROCKER

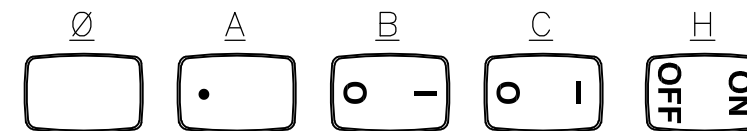
SECONDARY ROCKER COLOR: X12 = Ø - NOT APPLICABLE

NOMINAL PANEL CUT OUT SIZE: X3 = B - 13.8x27.6

NUMBER OF POLES: X4 = S - SINGLE

SWITCH FUNCTION: X5 X6 = A1 - ON-OFF, WITH OPAQUE SINGLE-COLOR ROCKER BUTTON.

LEGEND TEXT PATTERN: X13 =



CURRENT RATING: X7 X8 = 16 -

LEGEND TEXT COLOR: X14 = Ø - NOT APPLICABLE

TERMINAL TYPE: X9 = F - QC TAB  
L - SOLDER LUG

- G - GREEN
- R - RED
- B - BLACK
- W - WHITE

FRAME COLOR: X10 = B - BLACK  
W - WHITE

ROCKER COLOR: X11 = B - BLACK  
G - GREEN  
R - RED  
W - WHITE

**MATERIALS:**  
 ROCKER BUTTON & HOUSING: NYLON 66, UL 94 V-2.  
 TERMINAL, ACTIVE CONTACTOR: COPPER ALLOY PER ASTM B152/B152M  
 PLUNGER: COPPER ALLOY PER ASTM B036  
 SPRING: STEEL WIRE PER ASTM A228/A228M  
 CONTACT: SILVER-TIN OXIDE

5. **ENVIRONMENTAL SPECIFICATIONS:**  
 AMBIENT TEMPERATURE: -20°C TO +85°C  
 HUMIDITY: MAX 85%  
 SALT SPRAY: NO REMARKABLE RUST IN METAL PARTS. (5% SALT / 35°C 24HRS)  
 SHOCK: NO MECHANICAL DEFECT OR DAMAGE. (100g / 10MSEC/ X,Y,Z 3 TIMES)  
 VIBRATION: NO MECHANICAL DEFECT OR DAMAGE. (10-55Hz / 1.5mm/ X,Y,Z 2HRS)

UL: 16A@125VAC 1/3HP / 10A@250VAC 1/2HP  
 ENEC: 10(4)A 250V~

**FINISH:**  
 ACTIVE CONTACTOR & TERMINALS: 1.0µm MIN SILVER  
 PLUNGER: 3.0µm MIN NICKEL

ELECTRICAL RATINGS, APPROVED AGENCY LOGOS, TERMINAL IDENTIFICATION NUMBERS, MOLDED APPROXIMATELY AS SHOWN ON THE SIDES OF THE SWITCH HOUSING.

3. **ELECTRICAL SPECIFICATIONS:**  
 CURRENT & VOLTAGE   
 CONTACT RESISTANCE (INITIAL): <50mΩ  
 DIELECTRIC STRENGTH (INITIAL): >1000 VAC, 1 MINUTE  
 INSULATION RESISTANCE (INITIAL): >100MΩ MIN (500VDC BETWEEN OPEN CONTACTS)  
 INRUSH CURRENT: 50A / 3msec (CAPACITIVE LOAD)  
 ELECTRICAL LIFE ENDURANCE: >6000 OPERATIONS,  
 TEMPERATURE RISE AT TERMINALS: <30°C, 6000 OPERATIONS  
 (AMBIENT CONDITIONS: 25±2°C AND 65±5%RH)

8. COMPONENT-RECOGNIZED TO US & CANADIAN STANDARDS  
 UL FILE NO. E46765

9. COMPONENT-RECOGNIZED TO EUROPEAN STANDARDS  
 (ENEC & VDE) MARKS LICENSE NO 40020315

10. ROHS 2002/95/EC COMPLIANT

TE CONNECTIVITY LOGO LOCATED APPROXIMATELY AS SHOWN

4. **MECHANICAL SPECIFICATIONS:**  
 ACTUATING FORCE: 300g MIN, 700g MAX  
 OPERATING LIFE ENDURANCE: >100,000 OPERATIONS  
 TERMINAL STRENGTH : >2.5kg- SOLDER LUG  
 >10.0kg- QC TAB

1	PRBSA1-16F-BR0HW	6-1571091-0
2	PRBSA1-16L-BR000	5-1571091-8
1	PRBSA1-16F-BR000	5-1571091-7
1	PRBSA1-16F-BW0HB	1-1571091-2
1	PRBSA1-16F-BW000	1-1571091-1
1	PRBSA1-16F-BB0HW	1571091-9
2	PRBSA1-16L-BB0CW	1571091-6
2	PRBSA1-16L-BB0BW	1571091-5
2	PRBSA1-16L-BB000	1571091-4
1	PRBSA1-16F-BB0CW	1571091-3
1	PRBSA1-16F-BB0BW	1571091-2
1	PRBSA1-16F-BB000	1571091-1
SHEET REF.	LEGACY PART NUMBER	PART NUMBER

THIS DRAWING IS A CONTROLLED DOCUMENT.		DWN BSV	01APR04	TE Connectivity	
DIMENSIONS: mm		CHK J.MOSIER	NAME		
TOLERANCES UNLESS OTHERWISE SPECIFIED:		APVD JP	PRODUCT SPEC	POWER ROCKER SWITCH, 13.8mm X 27.6mm PANEL CUT-OUT SIZE, SINGLE POLE, SINGLE THROW, TWO TERMINALS, NON-ILLUMINATED	
MATERIAL		FINISH	WEIGHT	SIZE A2	CAGE CODE 00779
-		-	-	DRAWING NO	RESTRICTED TO
				1571091	-
				SCALE 1:1	SHEET 3 OF 3
					REV F2