



Chipsmall Limited consists of a professional team with an average of over 10 year of expertise in the distribution of electronic components. Based in Hongkong, we have already established firm and mutual-benefit business relationships with customers from,Europe,America and south Asia,supplying obsolete and hard-to-find components to meet their specific needs.

With the principle of “Quality Parts,Customers Priority,Honest Operation,and Considerate Service”,our business mainly focus on the distribution of electronic components. Line cards we deal with include Microchip,ALPS,ROHM,Xilinx,Pulse,ON,Everlight and Freescale. Main products comprise IC,Modules,Potentiometer,IC Socket,Relay,Connector.Our parts cover such applications as commercial,industrial, and automotives areas.

We are looking forward to setting up business relationship with you and hope to provide you with the best service and solution. Let us make a better world for our industry!



Contact us

Tel: +86-755-8981 8866 Fax: +86-755-8427 6832

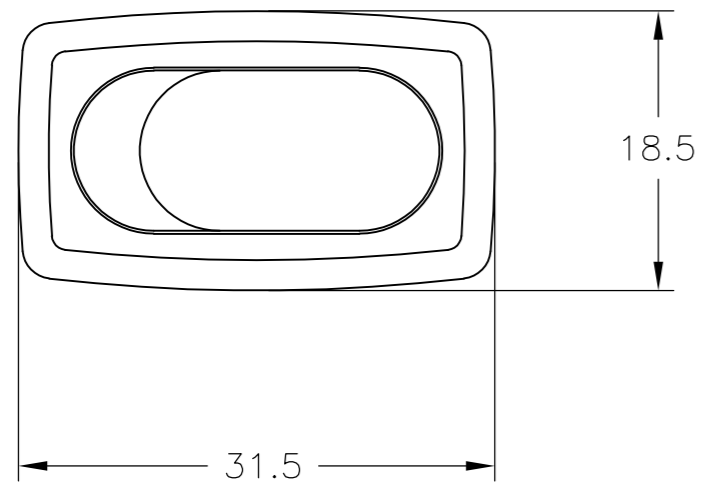
Email & Skype: info@chipsmall.com Web: www.chipsmall.com

Address: A1208, Overseas Decoration Building, #122 Zhenhua RD., Futian, Shenzhen, China

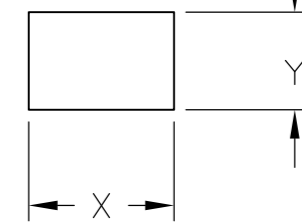


THIS DRAWING IS UNPUBLISHED. RELEASED FOR PUBLICATION
 © COPYRIGHT BY TYCO ELECTRONICS CORPORATION. ALL INTERNATIONAL RIGHTS RESERVED.

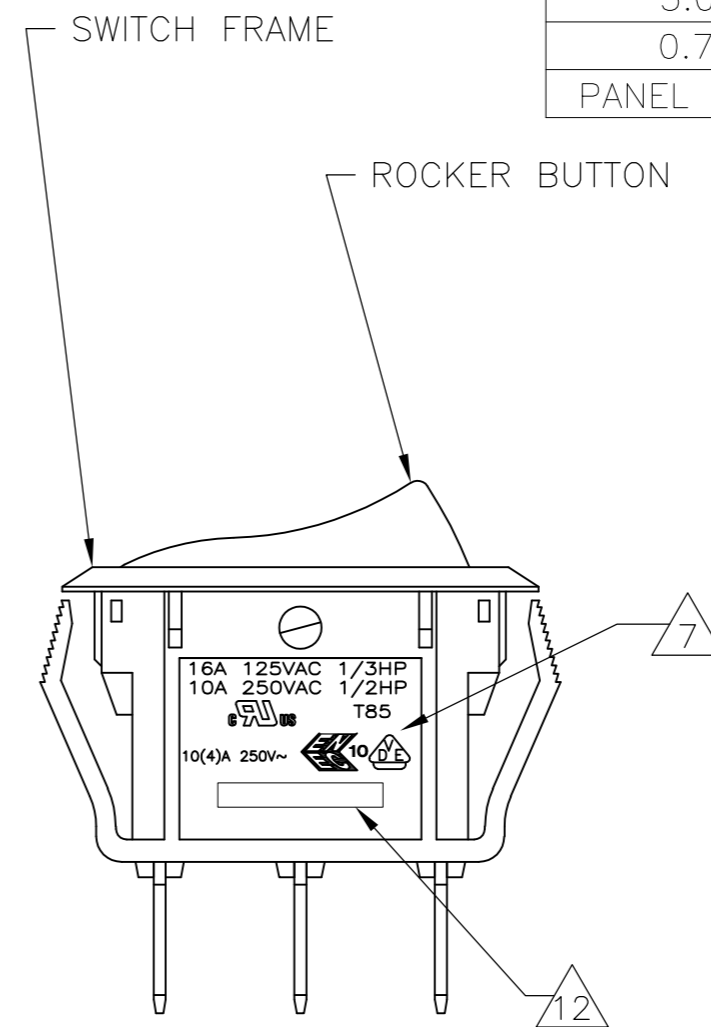
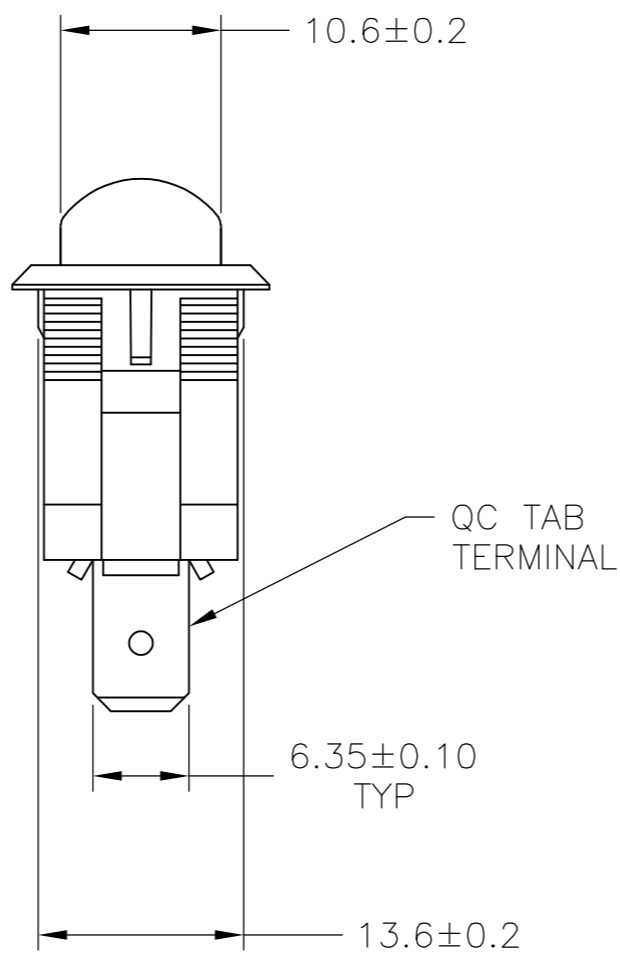
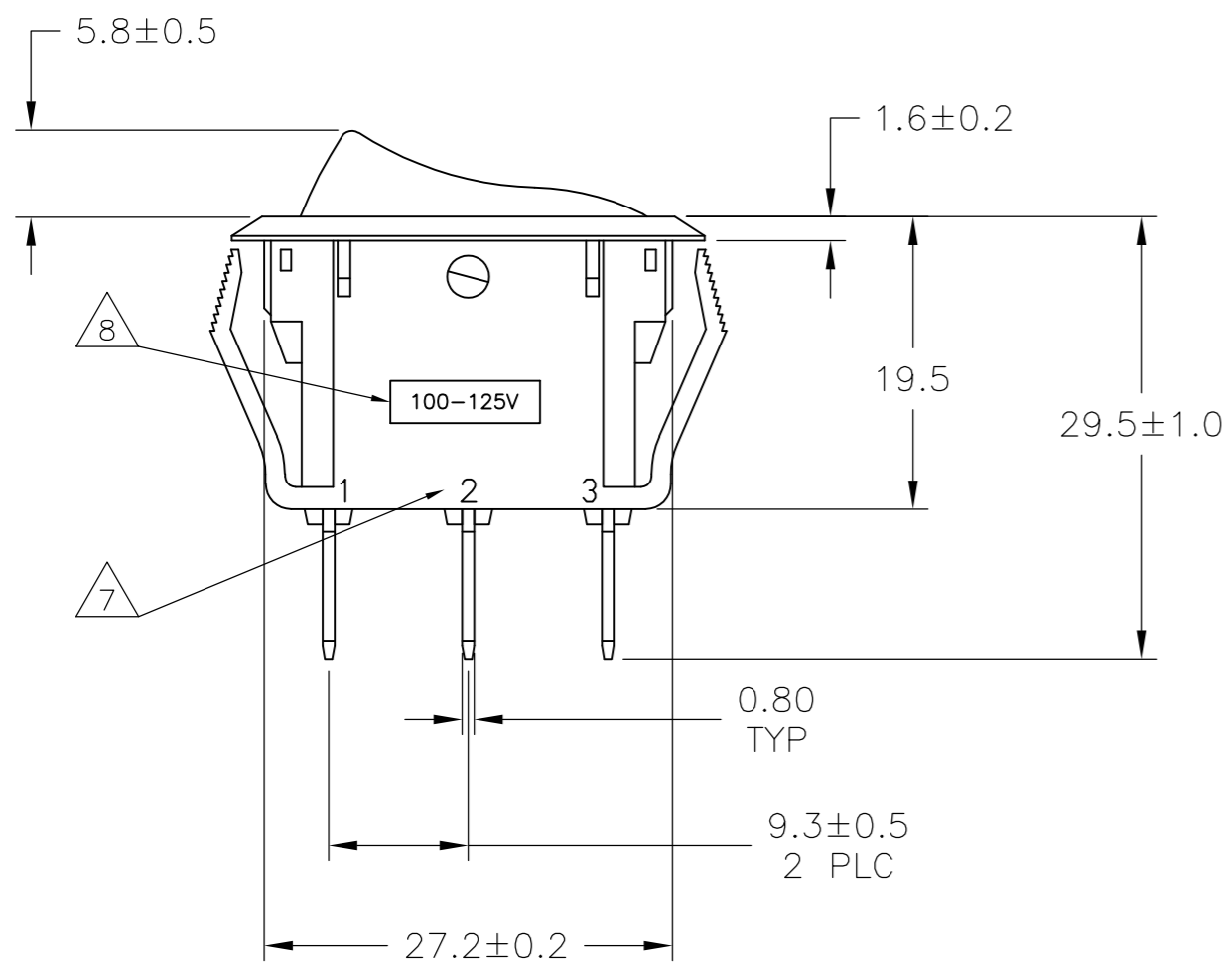
LOC	DIST	REVISIONS			
P	LTR	DESCRIPTION	DATE	DWN	APVD
AD	00	F2 REVISED PER ECO-10-005254	17MAR10	HMR	NE



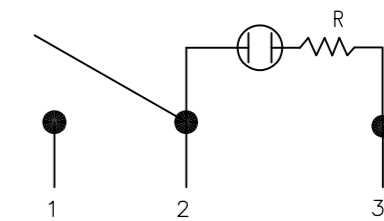
PANEL CUT OUT



4.00-5.00	28.0-0.1	13.8+0.1
3.00-4.00	27.8-0.1	13.8+0.1
0.75-3.00	27.6-0.1	13.8+0.1
PANEL THICKNESS	X	Y



SWITCH FUNCTION B1 & B3
CIRCUIT DIAGRAM



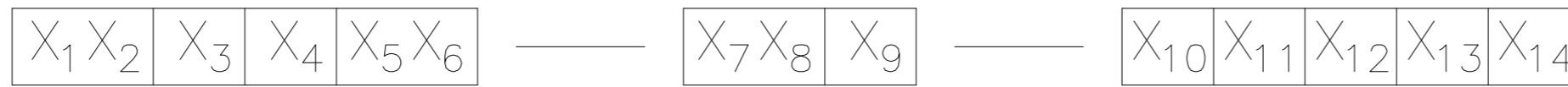
1571092-1 SHOWN

THIS DRAWING IS A CONTROLLED DOCUMENT.		DWN M.BINNER	25FEB2002	Tyco Electronics Corporation Harrisburg, PA 17105-3608	
DIMENSIONS: mm		CHK J.MOSIER	APVD -	NAME POWER ROCKER SWITCH, 13.8mm X 27.6mm PANEL CUT-OUT SIZE, SINGLE POLE, SINGLE THROW, THREE TERMINALS, LAMP-ILLUMINATED	
TOLERANCES UNLESS OTHERWISE SPECIFIED: 0 PLC ± - 1 PLC ± 0.30 2 PLC ± 0.05 3 PLC ± - 4 PLC ± - ANGLES ± -		PRODUCT SPEC NOT APPLICABLE		SIZE A2	CAGE CODE 00779
MATERIAL 1		FINISH 2		DRAWING NO C=1571092	
CUSTOMER DRAWING				SCALE 2:1	SHEET 1 OF 2
				REV F2	

THIS DRAWING IS UNPUBLISHED. RELEASED FOR PUBLICATION
 © COPYRIGHT BY TYCO ELECTRONICS CORPORATION. ALL INTERNATIONAL RIGHTS RESERVED.

LOC		DIST		REVISIONS			
AD	00	P	LTR	DESCRIPTION	DATE	DWN	APVD
		-		SEE SHEET 1	-	-	-

LEGACY PART NUMBER



SWITCH TYPE: X1 X2 = PR - POWER ROCKER

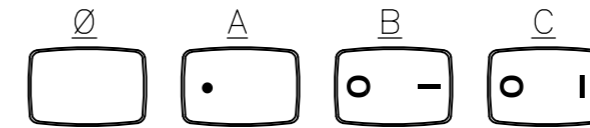
SECONDARY ROCKER COLOR: X12 = Ø - NOT APPLICABLE

NOMINAL PANEL CUT OUT SIZE: X3 = B - 13.8x27.6

NUMBER OF POLES: X4 = S - SINGLE

SWITCH FUNCTION: X5 X6 = B1 - ON-OFF, TRANSPARENT, LAMP ILLUMINATED
 ROCKER BUTTON (100-125 VAC LAMP VOLTAGE)
 B3 - ON-OFF, TRANSPARENT, LAMP ILLUMINATED
 ROCKER BUTTON (200-250 VAC LAMP VOLTAGE)

LEGEND TEXT PATTERN: X13 =



CURRENT RATING: X7 X8 = 16 - △6

TERMINAL TYPE: X9 = E - QC TAB
 L - SOLDER LUG

LEGEND TEXT COLOR: X14 = Ø - NOT APPLICABLE

- G - GREEN
- R - RED
- B - BLACK
- W - WHITE

FRAME COLOR: X10 = B - BLACK
 W - WHITE

ROCKER COLOR: X11 = A - AMBER
 C - CLEAR
 G - GREEN
 R - RED

- 1 MATERIALS:
 LAMP BASE & HOUSING: NYLON 66, UL 94 V-2.
 ROCKER BUTTON: POLYCARBONATE UL 94 V-2.
 TERMINAL (NOS. 1 & 2), ACTIVE CONTACTOR: COPPER ALLOY PER ASTM B152/B152M
 TERMINAL (NO. 3), PLUNGER: COPPER ALLOY PER ASTM B036
 PLUNGER SPRING: STEEL WIRE PER ASTM A228/A228M
 CONTACT: SILVER-TIN OXIDE
 LAMP SPRING: STAINLESS STEEL WIRE
 LAMP: GLASS-ENCLOSED NEON LAMP
 LAMP RESISTOR: 33kΩ 1/8W RATED, (100-125V LAMP VOLTAGE)
 150kΩ 1/8W RATED, (200-250V LAMP VOLTAGE)
- 2 FINISH:
 ACTIVE CONTACTOR, TERMINALS (No. 1&2): 1.0µm MIN SILVER
 PLUNGER: 3.0µm MIN NICKEL
- 3 ELECTRICAL SPECIFICATIONS:
 CURRENT & VOLTAGE: △6
 LAMP VOLTAGE: SWITCH FUNCTION B1, 100-125 VAC
 SWITCH FUNCTION B3, 200-250 VAC
 CONTACT RESISTANCE (INITIAL): <50mΩ
 DIELECTRIC STRENGTH (INITIAL): >1000 VAC, 1 MINUTE
 INSULATION RESISTANCE (INITIAL): >100MΩ MIN (500VDC BETWEEN OPEN CONTACTS)
 INRUSH CURRENT: 50A / 3msec (CAPACITIVE LOAD)
 ELECTRICAL LIFE ENDURANCE: >6000 OPERATIONS,
 TEMPERATURE RISE AT TERMINALS: <30°C, 6000 OPERATIONS
 (AMBIENT CONDITIONS: 25±2°C AND 65±5%R.H)
- 4 MECHANICAL SPECIFICATIONS:
 ACTUATING FORCE: 300g MIN, 700g MAX
 OPERATING LIFE ENDURANCE: >100,000 OPERATIONS
 TERMINAL RETENTION STRENGTH: >2.5kg- SOLDER LUG
 >10.0kg- QC TAB

- 5 ENVIRONMENTAL SPECIFICATIONS:
 AMBIENT TEMPERATURE: -20°C TO +85°C
 HUMIDITY: MAX 85%
 SALT SPRAY: NO REMAKABLE RUST IN METAL PARTS. (5%SALT / 35°C 24HRS)
 SHOCK: NO MECHANICAL DEFECT OR DAMAGE. (100g / 10MSEC/ X,Y,Z 3 TIMES)
 VIBRATION: NO MECHANICAL DEFECT OR DAMAGE. (10-55Hz /1.5mm/ X,Y,Z 2HRS)
 DEGREE OF PROTECTION: IP40
- 6 UL: 16A@125VAC 1/3 HP/10A@250VAC 1/2 HP
 ENEC: 10(4)A 250V~
- 7 ELECTRICAL RATINGS, APPROVED AGENCY LOGOS, TERMINAL IDENTIFICATION
 NUMBERS, MOLDED APPROXIMATELY AS SHOWN ON THE SIDES OF THE SWITCH
 HOUSING.
- 8 THE LAMP VOLTAGE RATING IS LISTED ON THE LABEL LOCATED ON THE SIDE
 OF THE SWITCH HOUSING, APPROXIMATELY AS SHOWN.
- 9 COMPONENT RECOGNIZED TO US & CANADIAN STANDARDS, UL FILE NO. E46765.
- 10 COMPONENT-RECOGNIZED TO EUROPEAN STANDARDS
 (ENEC & VDE) MARKS LICENSE NO 40020315
- 11 ROHS 2002/95/EC COMPLIANT
- △12 TYCO ELECTRONICS LOGO LOCATED APPROXIMATELY AS SHOWN

PRBSB1-16F-BC000	1571092-4
PRBSB1-16F-BA000	1571092-3
PRBSB1-16F-BROBW	1571092-2
PRBSB1-16F-BR000	1571092-1
LEGACY PART NUMBER	PART NUMBER

THIS DRAWING IS A CONTROLLED DOCUMENT.		DWN	25FEB2002	Tyco Electronics Corporation	
DIMENSIONS: mm		CHK	M.BINNER	Harrisburg, PA 17105-3608	
TOLERANCES UNLESS OTHERWISE SPECIFIED:		APVD	J.MOSIER	NAME	
0 PLC ± -		PRODUCT SPEC	-	POWER ROCKER SWITCH, 13.8mm X 27.6mm	
1 PLC ± 0.30		APPLICATION SPEC	NOT APPLICABLE	PANEL CUT-OUT SIZE, SINGLE POLE, SINGLE	
2 PLC ± 0.05		WEIGHT	-	THROW, THREE TERMINALS, LAMP-ILLUMINATED	
3 PLC ± -		SCALE	A2	CAGE CODE	00779
4 PLC ± -		DRAWING NO	C=1571092	RESTRICTED TO	-
ANGLES ± -		CUSTOMER DRAWING	SCALE	1:1	SHEET
FINISH		SCALE	1:1	SHEET	2 of 2
MATERIAL		REV	F2		