



Chipsmall Limited consists of a professional team with an average of over 10 year of expertise in the distribution of electronic components. Based in Hongkong, we have already established firm and mutual-benefit business relationships with customers from,Europe,America and south Asia,supplying obsolete and hard-to-find components to meet their specific needs.

With the principle of “Quality Parts,Customers Priority,Honest Operation,and Considerate Service”,our business mainly focus on the distribution of electronic components. Line cards we deal with include Microchip,ALPS,ROHM,Xilinx,Pulse,ON,Everlight and Freescale. Main products comprise IC,Modules,Potentiometer,IC Socket,Relay,Connector.Our parts cover such applications as commercial,industrial, and automotives areas.

We are looking forward to setting up business relationship with you and hope to provide you with the best service and solution. Let us make a better world for our industry!



Contact us

Tel: +86-755-8981 8866 Fax: +86-755-8427 6832

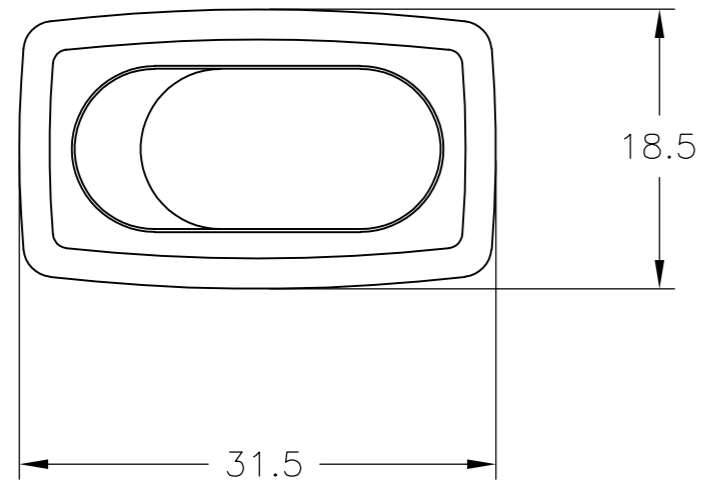
Email & Skype: info@chipsmall.com Web: www.chipsmall.com

Address: A1208, Overseas Decoration Building, #122 Zhenhua RD., Futian, Shenzhen, China

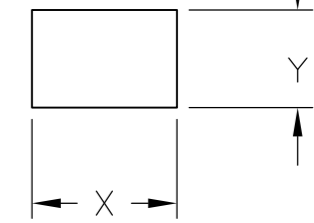


THIS DRAWING IS UNPUBLISHED. RELEASED FOR PUBLICATION
 © COPYRIGHT - By - ALL RIGHTS RESERVED.

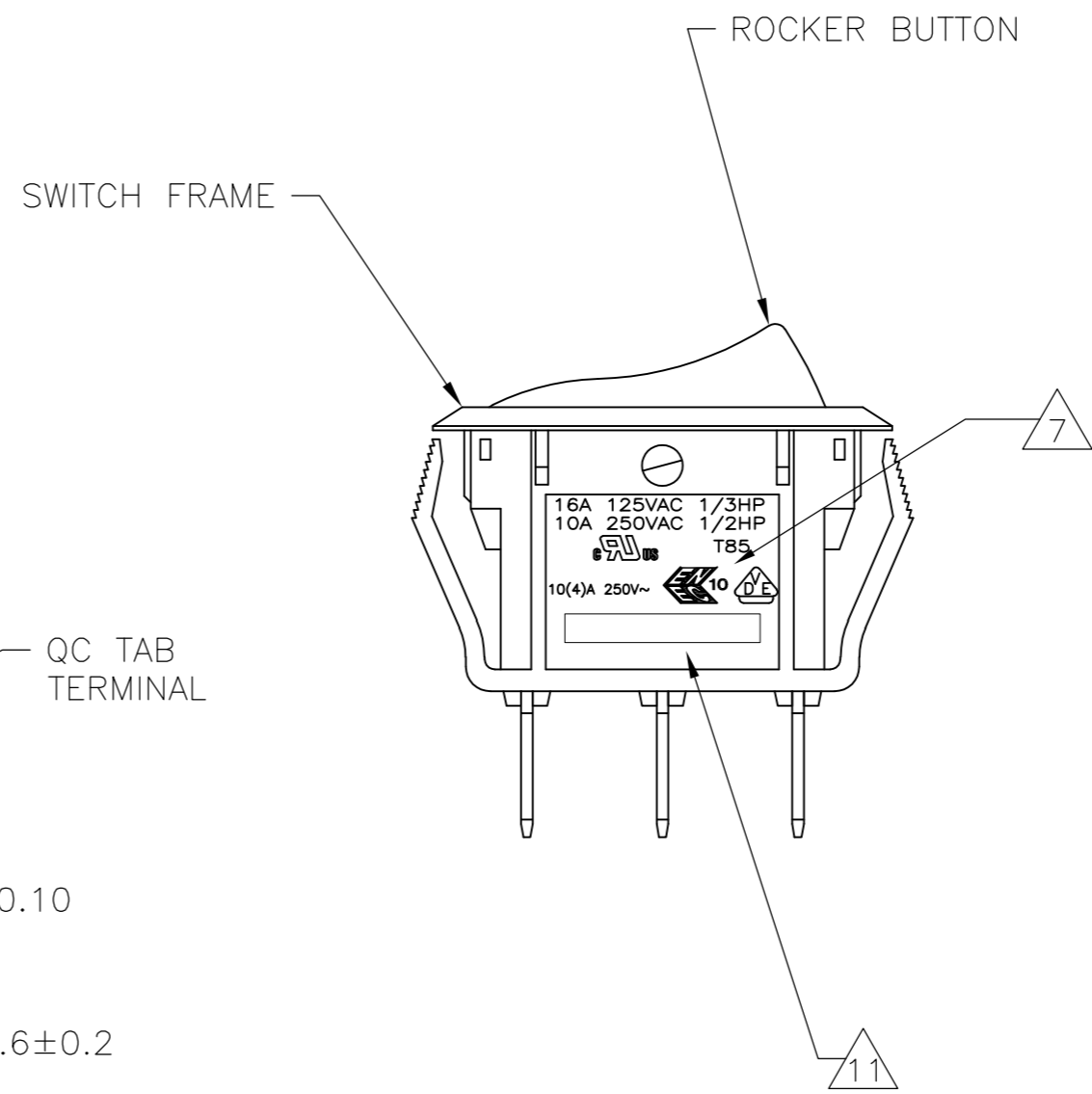
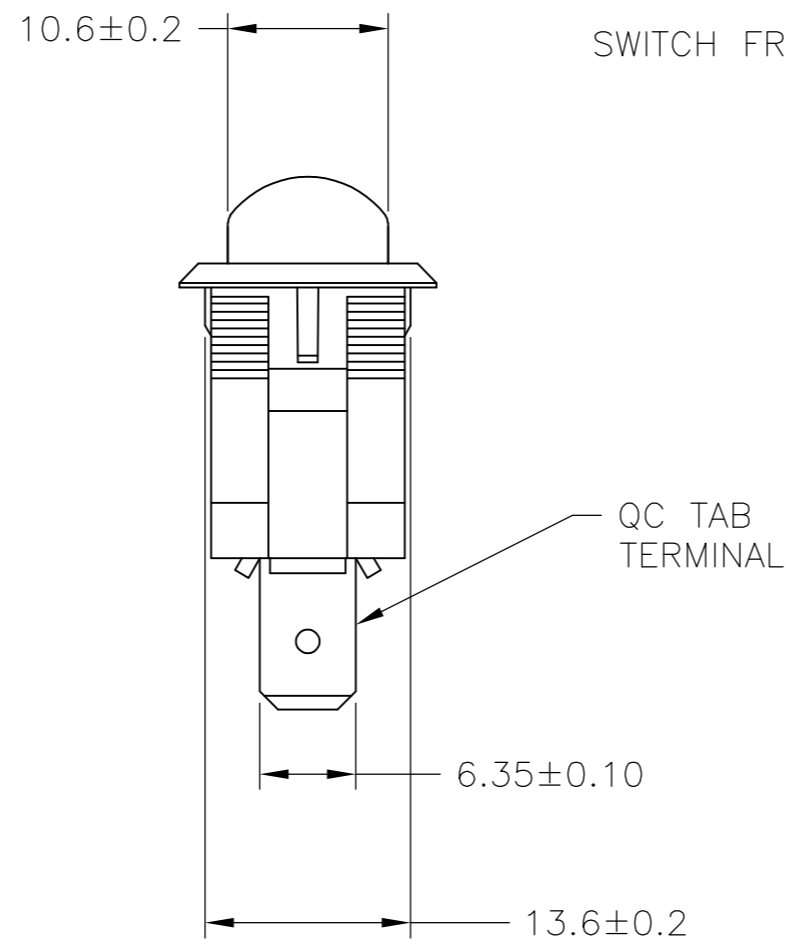
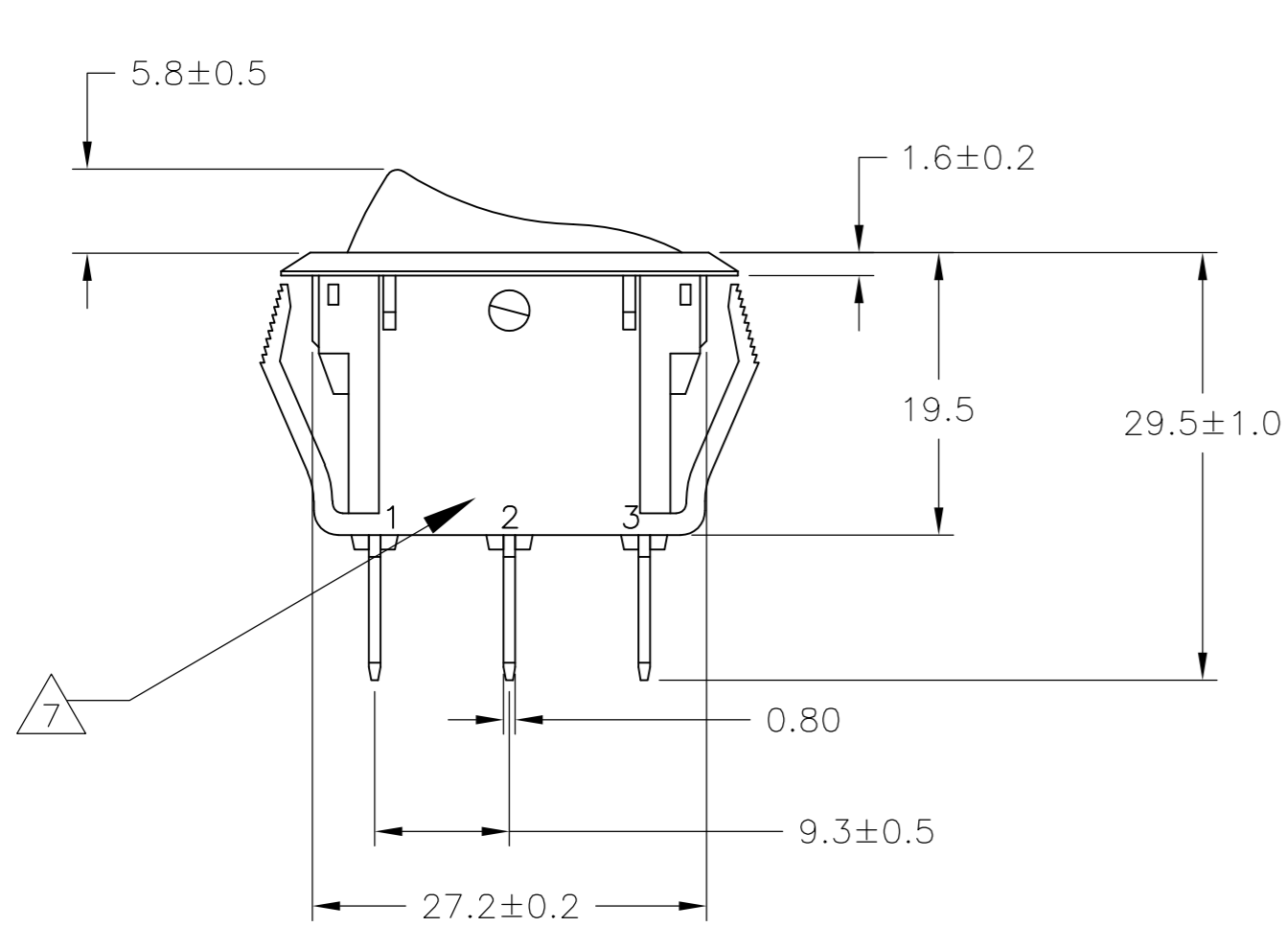
LOC		DIST		REVISIONS			
P	LTR	DESCRIPTION		DATE	DWN	APVD	
AD	00	E2	REVISED PER ECO-12-020686		27OCT2012	KH	PO



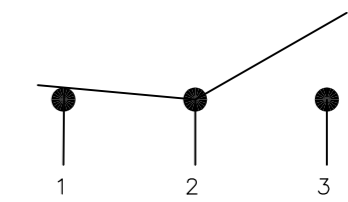
PANEL CUT OUT



4.00-5.00	28.0-0.1	13.8+0.1
3.00-4.00	27.8-0.1	13.8+0.1
0.75-3.00	27.6-0.1	13.8+0.1
PANEL THICKNESS	X	Y



SWITCH FUNCTION D1
CIRCUIT DIAGRAM

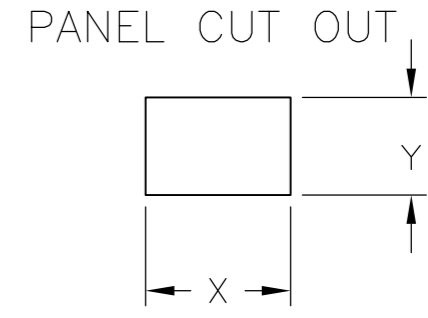
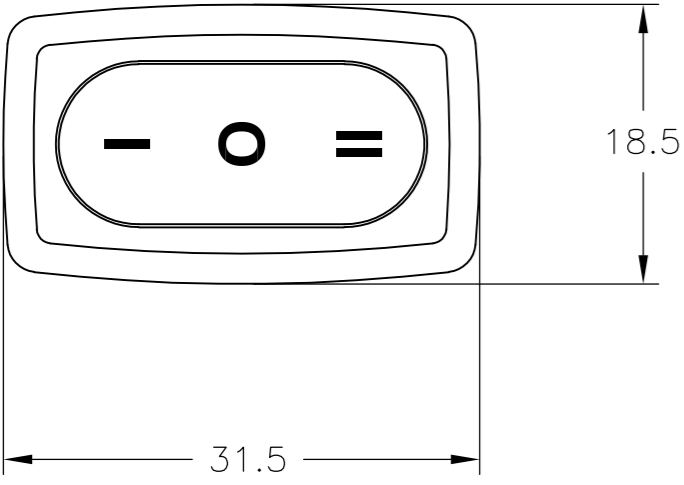


1571094-1 SHOWN

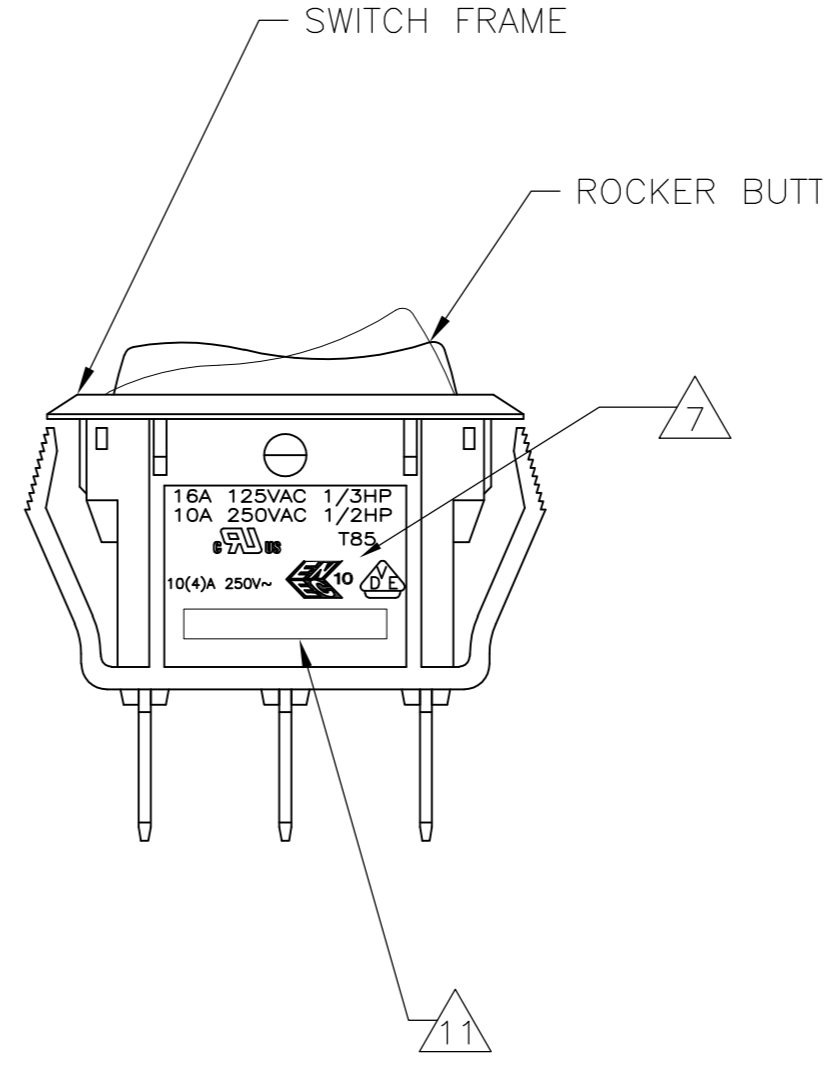
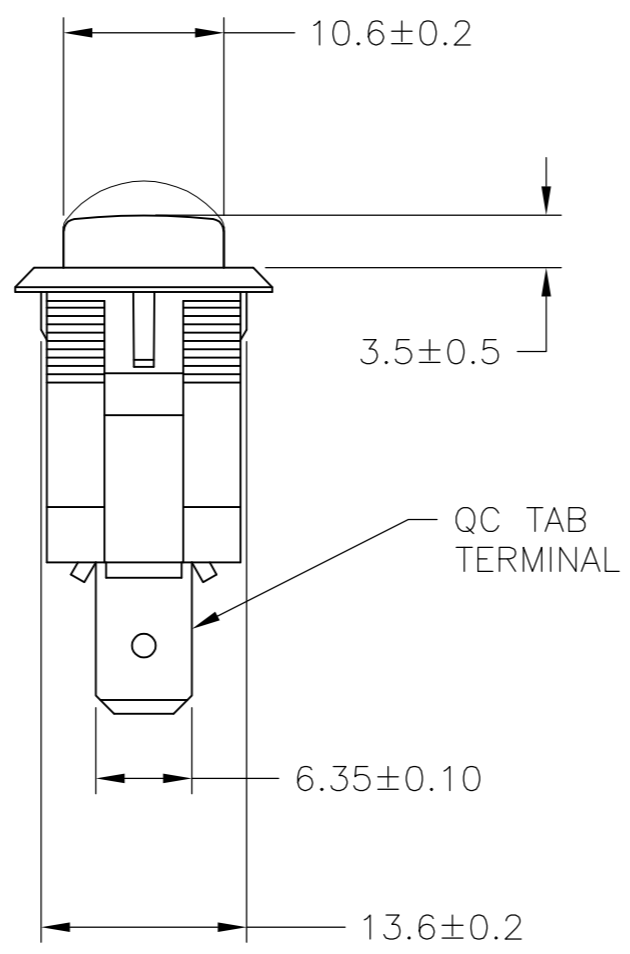
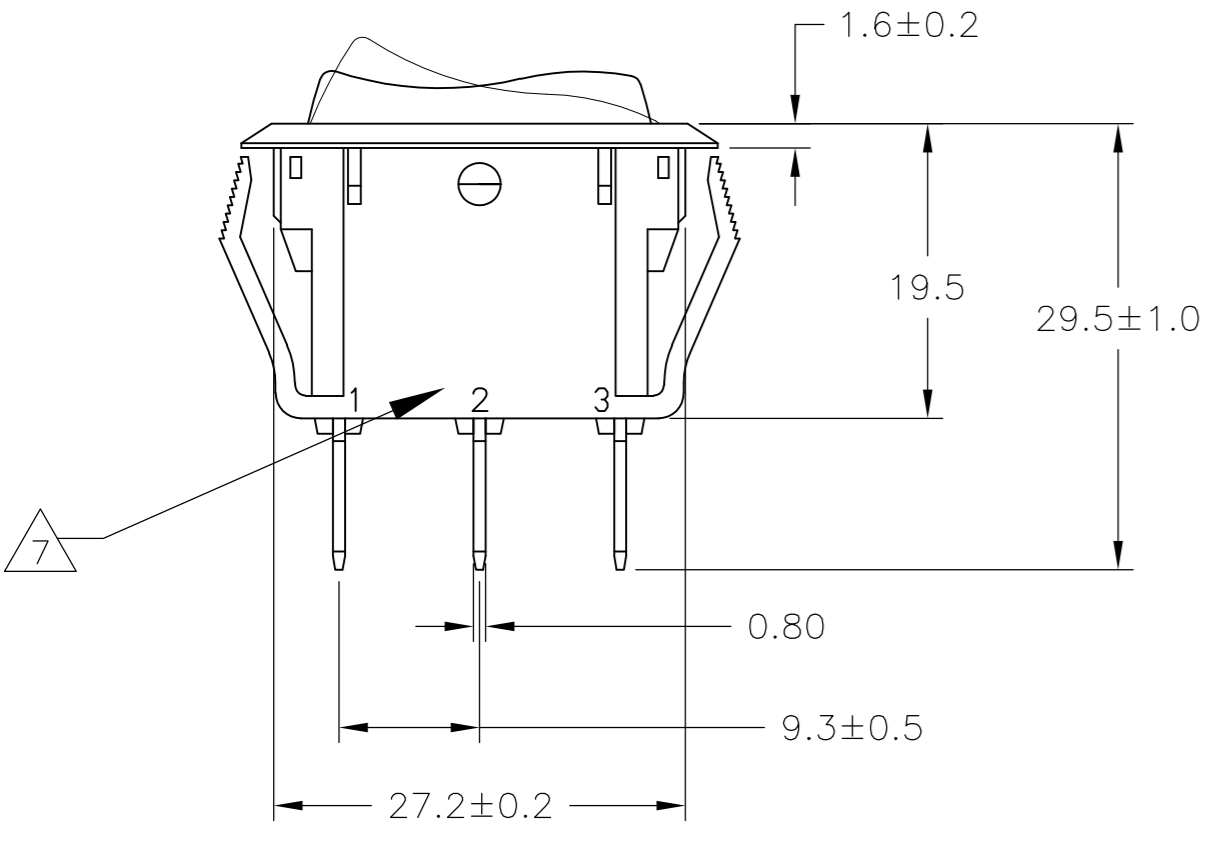
THIS DRAWING IS A CONTROLLED DOCUMENT.		DWN	BSV	05APR04	TE TE Connectivity
DIMENSIONS: mm		CHK	J.MOSIER	APVD	
TOLERANCES UNLESS OTHERWISE SPECIFIED:		PRODUCT SPEC		NAME	
0 PLC	± -	NOT APPLICABLE		POWER ROCKER SWITCH, 13.8mm X 27.6mm	
1 PLC	± 0.30	APPLICATION SPEC		PANEL CUT-OUT SIZE, SINGLE POLE, DOUBLE THROW, THREE TERMINALS, NON-ILLUMINATED	
2 PLC	± 0.05	WEIGHT		SIZE	CAGE CODE
3 PLC	± -	MATERIAL		A2	00779
4 PLC	± -	FINISH		DRAWING NO	
ANGLES	± -	CUSTOMER DRAWING		C=1571094	
FINISH	± -	SCALE		2:1	SHEET
1	2	RESTRICTED TO		1 OF 3	
		REV		E2	

THIS DRAWING IS UNPUBLISHED. RELEASED FOR PUBLICATION
 © COPYRIGHT - By - ALL RIGHTS RESERVED.

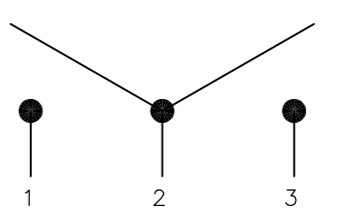
LOC	DIST	REVISIONS			
P	LTR	DESCRIPTION	DATE	DWN	APVD
AD	00	SEE SHEET 1	-	-	-



4.00-5.00	28.0-0.1	13.8+0.1
3.00-4.00	27.8-0.1	13.8+0.1
0.75-3.00	27.6-0.1	13.8+0.1
PANEL THICKNESS	X	Y



SWITCH FUNCTION D3
CIRCUIT DIAGRAM



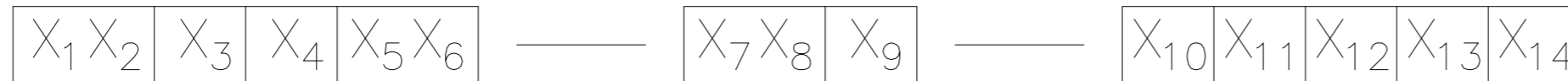
1571094-5 SHOWN

THIS DRAWING IS A CONTROLLED DOCUMENT.		DWN BSV	05APR04	STE TE Connectivity	
DIMENSIONS: mm		CHK J.MOSIER	APVD JP		
TOLERANCES UNLESS OTHERWISE SPECIFIED:		PRODUCT SPEC NOT APPLICABLE		NAME POWER ROCKER SWITCH, 13.8mm X 27.6mm PANEL CUT-OUT SIZE, SINGLE POLE, DOUBLE THROW, THREE TERMINALS, NON-ILLUMINATED	
MATERIAL		APPLICATION SPEC NOT APPLICABLE		SIZE A2	CAGE CODE 00779
FINISH		WEIGHT -		DRAWING NO 1571094	RESTRICTED TO -
CUSTOMER DRAWING		SCALE 2:1		SHEET 2 of 3	REV E2

THIS DRAWING IS UNPUBLISHED. RELEASED FOR PUBLICATION
 © COPYRIGHT - By - ALL RIGHTS RESERVED.

LOC	DIST	REVISIONS			
P	LTR	DESCRIPTION	DATE	DWN	APVD
AD	00	-	-	-	-
		SEE SHEET 1			

LEGACY PART NUMBER



SWITCH TYPE: X1X2 = PR - POWER ROCKER

SECONDARY ROCKER COLOR: X12 = Ø - NOT APPLICABLE

NOMINAL PANEL CUT OUT SIZE: X3 = B - 13.8 x 27.6

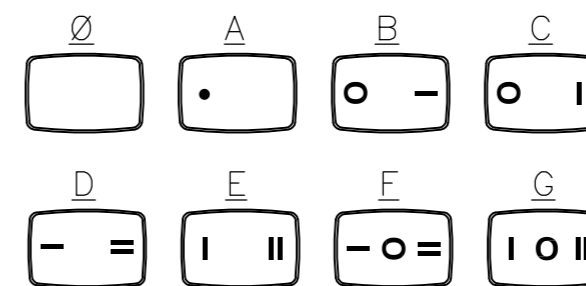
NUMBER OF POLES: X4 = S - SINGLE

SWITCH FUNCTION: X5X6 = D1 : ON - NONE - ON, WITH OPAQUE, SINGLE-COLOR ROCKER BUTTON
D3 : ON - OFF - ON, WITH OPAQUE, SINGLE-COLOR ROCKER BUTTON

CURRENT RATING: X7X8 = 16 - △6

LEGEND TEXT PATTERN: X13 =

TERMINAL TYPE: X9 = F - QC TAB
L - SOLDER LUG



FRAME COLOR: X10 = B - BLACK
W - WHITE

LEGEND TEXT COLOR: X14 = Ø - NOT APPLICABLE

ROCKER COLOR: X11 = B - BLACK
G - GREEN
R - RED
W - WHITE

G - GREEN
R - RED
B - BLACK
W - WHITE

1 MATERIALS:
 ROCKER BUTTON & HOUSING: NYLON 66, UL 94 V-2.
 TERMINAL, ACTIVE CONTACTOR: COPPER ALLOY PER ASTM B152/B152M
 PLUNGER: COPPER ALLOY PER ASTM B036
 SPRING: STEEL WIRE PER ASTM A228/A228M
 CONTACT: SILVER TIN OXIDE

6 UL: 16A@125VAC 1/3HP /10A@250VAC 1/2HP
 ENEC: 10(4)A 250V~
7 ELECTRICAL RATINGS, APPROVED AGENCY LOGOS,
 TERMINAL IDENTIFICATION NUMBERS, AND THE TYCO/ ELECTORNICS LOGO
 MOLDED APPROXIMATELY AS SHOWN ON THE SIDES OF THE SWITCH HOUSING.

2 FINISH:
 TERMINAL, ACTIVE CONTACTOR: 1.0µm MIN SILVER
 PLUNGER: 3.0µm MIN NICKEL

8. COMPONENT-RECOGNIZED TO US & CANADIAN STANDARDS.
 UL FILE NO. E46765

3. ELECTRICAL SPECIFICATIONS:
 CURRENT & VOLTAGE **6**
 CONTACT RESISTANCE (INITIAL): <50mΩ
 DIELECTRIC STRENGTH (INITIAL): >1000 VAC, 1 MINUTE
 INSULATION RESISTANCE (INITIAL): >100MΩ MIN (500VDC BETWEEN OPEN CONTACTS)
 INRUSH CURRENT: 50A / 3msec (CAPACITIVE LOAD)
 ELECTRICAL LIFE ENDURANCE: >6000 OPERATIONS,
 TEMPERATURE RISE AT TERMINALS: <30°C, 6000 OPERATIONS
 (AMBIENT CONDITIONS: 25±2°C AND 65±5%R.H)

9. COMPONENT-RECOGNIZED TO EUROPEAN STANDARDS
 (ENEC & VDE) MARKS LICENSE NO 40020315

10. ROHS 2002/95/EC COMPLIANT

11 TYCO ELECTRONICS LOGO LOCATED APPROXIMATELY AS SHOWN

4. MECHANICAL SPECIFICATIONS:
 ACTUATING FORCE: 300g MIN, 700g MAX
 OPERATING LIFE ENDURANCE: >100,000 OPERATIONS
 TERMINAL STRENGTH : >2.5kg- SOLDER LUG
 >10.0kg- QC TAB

5. ENVIRONMENTAL SPECIFICATIONS:
 AMBIENT TEMPERATURE: -20°C TO +85°C
 HUMIDITY: MAX 85%
 SALT SPRAY: NO REMAKABLE RUST IN METAL PARTS. (5%SALT / 35°C 24HRS)
 SHOCK: NO MECHANICAL DEFECT OR DAMAGE. (100g / 10MSEC/ X,Y,Z 3 TIMES)
 VIBRATION: NO MECHANICAL DEFECT OR DAMAGE. (10-55Hz /1.5mm/ X,Y,Z 2HRS)

SHEET REF.	LEGACY PART NUMBER	PART NUMBER
1	PRBSD1-16F-WWOEB	1-1571094-3
2	PRBSD3-16F-BW000	1571094-7
2	PRBSD3-16F-BB0GW	1571094-6
2	PRBSD3-16F-BB0FW	1571094-5
2	PRBSD3-16F-BB000	1571094-4
1	PRBSD1-16F-BB0EW	1571094-3
1	PRBSD1-16F-BB0DW	1571094-2
1	PRBSD1-16F-BB000	1571094-1

THIS DRAWING IS A CONTROLLED DOCUMENT.		DWN BSV	05APR04	TE TE Connectivity	
DIMENSIONS: mm		CHK J.MOSIER	APVD JP		
TOLERANCES UNLESS OTHERWISE SPECIFIED:		PRODUCT SPEC		NAME POWER ROCKER SWITCH, 13.8mm X 27.6mm	
0 PLC ± -		NOT APPLICABLE		PANEL CUT-OUT SIZE, SINGLE POLE, DOUBLE THROW, THREE TERMINALS, NON-ILLUMINATED	
1 PLC ± 0.30		APPLICATION SPEC		SIZE A2	RESTRICTED TO
2 PLC ± 0.05		NOT APPLICABLE		CAGE CODE 00779	DRAWING NO C=1571094
3 PLC ± -		WEIGHT -		SCALE 1:1	SHEET 3 OF 3
4 PLC ± -		CUSTOMER DRAWING		REV E2	
ANGLES ± -					
FINISH					