



Chipsmall Limited consists of a professional team with an average of over 10 year of expertise in the distribution of electronic components. Based in Hongkong, we have already established firm and mutual-benefit business relationships with customers from,Europe,America and south Asia,supplying obsolete and hard-to-find components to meet their specific needs.

With the principle of “Quality Parts,Customers Priority,Honest Operation,and Considerate Service”,our business mainly focus on the distribution of electronic components. Line cards we deal with include Microchip,ALPS,ROHM,Xilinx,Pulse,ON,Everlight and Freescale. Main products comprise IC,Modules,Potentiometer,IC Socket,Relay,Connector.Our parts cover such applications as commercial,industrial, and automotives areas.

We are looking forward to setting up business relationship with you and hope to provide you with the best service and solution. Let us make a better world for our industry!



## Contact us

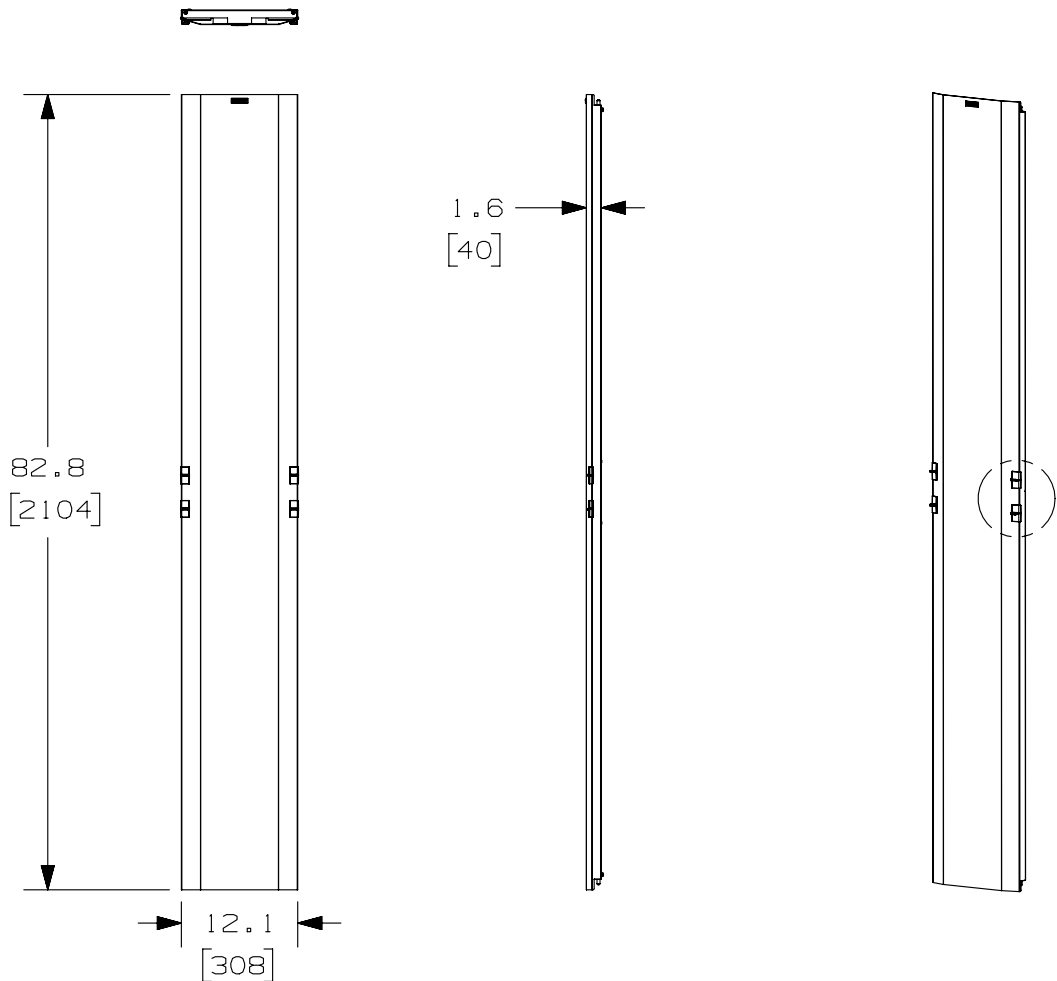
Tel: +86-755-8981 8866 Fax: +86-755-8427 6832

Email & Skype: info@chipsmall.com Web: www.chipsmall.com

Address: A1208, Overseas Decoration Building, #122 Zhenhua RD., Futian, Shenzhen, China

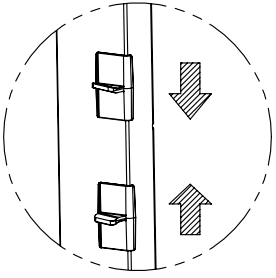


THIS COPY IS PROVIDED ON A RESTRICTED BASIS AND IS NOT TO BE USED IN ANY WAY DETRIMENTAL TO THE INTERESTS OF PANDUIT CORP.



PANDUIT P/N	WEIGHT
PRD12	9 LBS/EACH 4.1 KG/EACH

- NOTES:
- VISIT OUR ON-LINE CATALOG AT [WWW.PANDUIT.COM](http://WWW.PANDUIT.COM) FOR A CURRENT LIST OF PRODUCTS APPLICABLE FOR USE WITH THIS PART.
  - DOORS OPEN TO THE LEFT OR THE RIGHT.
  - DIMENSIONS IN PARENTHESES ARE METRIC.
  - ALL DIMENSIONS ARE REFERENCE ONLY.
  - ALUMINUM WITH BLACK POWDER COAT FINISH.
  - COMPONENTS:
    - 1- 12" DOOR
    - 2- DOOR STOP BRACKETS
    - 4- #10-32 X 1/2" MOUNTING SCREWS



DOOR LATCH ACTIVATION

REV	DATE	BY	CHK	APR	DESCRIPTION	ECN
20A	6-4-13	BAME	FGR	CMK	UPDATED TITLE BLOCK	10200-33
R	5-18-04	JDWE			RELEASED TO PRODUCTION	10200-33

TITLE		12" PATCHRUNNER DOOR	
CUSTOMER DRAWING			
ITEM REVISION NAME	V10200AD/20	<b>PANDUIT</b>	MATERIAL:  ALUMINUM
DATASET FILE NAME	V10200AD_DC/20A		
UNLESS OTHERWISE SPECIFIED, DIMENSIONAL TOLERANCES ARE: IN (mm)		DRAWING NUMBER: 10200-33	
.X ±	.XXX ±	THIRD ANGLE PROJECTION	
.XX ±	ANGLES ±		
DRAWN BY	DATE	CHK	SCALE
BAME	6-4-13		NONE
SHT 1 OF 1		SIZE A	

D10100DA/15