



Chipsmall Limited consists of a professional team with an average of over 10 year of expertise in the distribution of electronic components. Based in Hongkong, we have already established firm and mutual-benefit business relationships with customers from,Europe,America and south Asia,supplying obsolete and hard-to-find components to meet their specific needs.

With the principle of "Quality Parts,Customers Priority,Honest Operation,and Considerate Service",our business mainly focus on the distribution of electronic components. Line cards we deal with include Microchip,ALPS,ROHM,Xilinx,Pulse,ON,Everlight and Freescale. Main products comprise IC,Modules,Potentiometer,IC Socket,Relay,Connector.Our parts cover such applications as commercial,industrial, and automotives areas.

We are looking forward to setting up business relationship with you and hope to provide you with the best service and solution. Let us make a better world for our industry!



Contact us

Tel: +86-755-8981 8866 Fax: +86-755-8427 6832

Email & Skype: info@chipsmall.com Web: www.chipsmall.com

Address: A1208, Overseas Decoration Building, #122 Zhenhua RD., Futian, Shenzhen, China

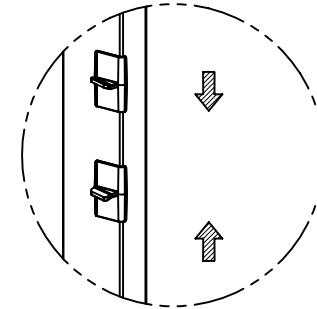
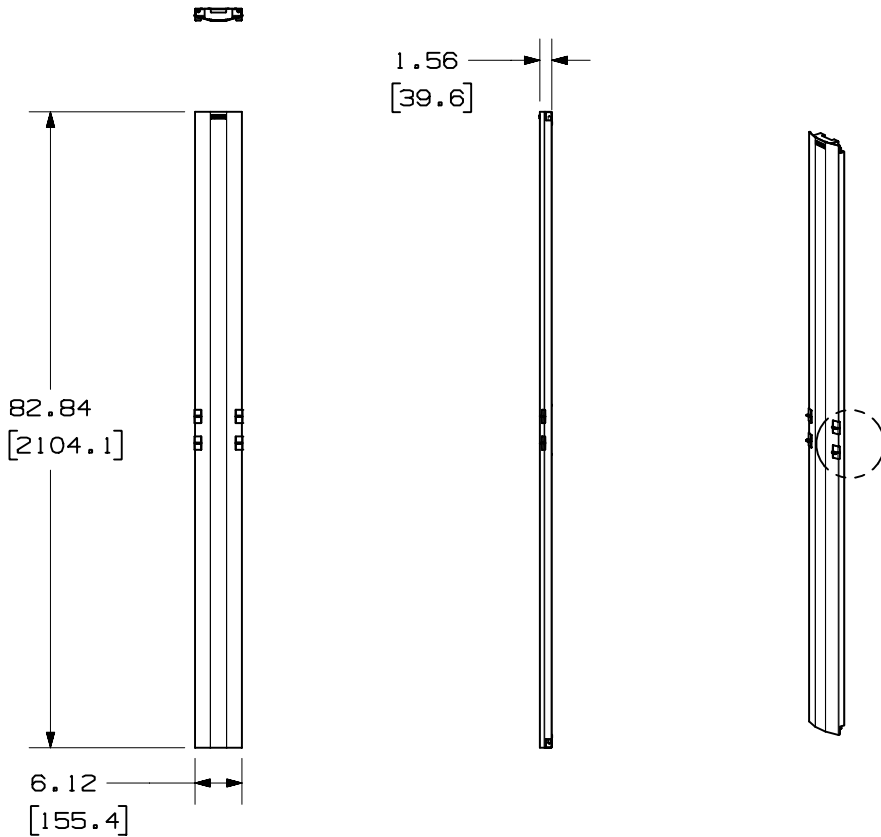


THIS COPY IS PROVIDED ON A RESTRICTED BASIS AND IS NOT TO BE USED IN ANY WAY DETRIMENTAL TO THE INTERESTS OF PANDUIT CORP.

| PANDUIT P/N | WEIGHT |
|-------------|-------------------------------|
| PRD6 | 5 LBS/ EACH (2.3 kg/ EACH) |

NOTES:

1. VISIT OUR ON-LINE CATALOG AT WWW.PANDUIT.COM FOR A CURRENT LIST OF PRODUCTS APPLICABLE FOR USE WITH THIS PART.
2. DOORS OPEN TO THE LEFT OR THE RIGHT.
3. DIMENSIONS IN PARENTHESIS ARE METRIC.
4. ALL DIMENSIONS ARE REFERENCE ONLY.
5. ALUMINUM WITH BLACK POWDER COAT FINISH.



DOOR LATCH ACTIVATION

MODEL FILENAME V10200AF_6PRVD_03.PRT

CAD FILENAME/LAYERS V10200AF_DC_01A.PRT

PANDUIT CORP. TINLEY PARK, ILLINOIS

6" PATCHRUNNER DOOR
CUSTOMER DRAWING

UNLESS OTHERWISE SPECIFIED,
DIMENSIONAL TOLERANCES ARE:
(.X) ± (.XXX) ±
(.XX) ± ANGLES ±

UNLESS OTHERWISE SPECIFIED,
ALL DIMENSIONS ARE GIVEN
IN INCHES, THIRD ANGLE PROJECTION.

DRAWN BY
JDWE

MAT'L:

SCALE NONE

DATE
5-18-04

ALUMINUM

DRAWING NO.

10200-35

DWG
A
SIZE

| REV | DATE | BY | CHK | DESCRIPTION | ECN | R | CUST | SUP | OTH |
|-----|---------|------|-----|------------------------|----------|---|------|-----|-----|
| R | 5-18-04 | JDWE | | RELEASED TO PRODUCTION | 10200-35 | | | | |