



Chipsmall Limited consists of a professional team with an average of over 10 year of expertise in the distribution of electronic components. Based in Hongkong, we have already established firm and mutual-benefit business relationships with customers from,Europe,America and south Asia,supplying obsolete and hard-to-find components to meet their specific needs.

With the principle of “Quality Parts,Customers Priority,Honest Operation,and Considerate Service”,our business mainly focus on the distribution of electronic components. Line cards we deal with include Microchip,ALPS,ROHM,Xilinx,Pulse,ON,Everlight and Freescale. Main products comprise IC,Modules,Potentiometer,IC Socket,Relay,Connector.Our parts cover such applications as commercial,industrial, and automotives areas.

We are looking forward to setting up business relationship with you and hope to provide you with the best service and solution. Let us make a better world for our industry!



Contact us

Tel: +86-755-8981 8866 Fax: +86-755-8427 6832

Email & Skype: info@chipsmall.com Web: www.chipsmall.com

Address: A1208, Overseas Decoration Building, #122 Zhenhua RD., Futian, Shenzhen, China

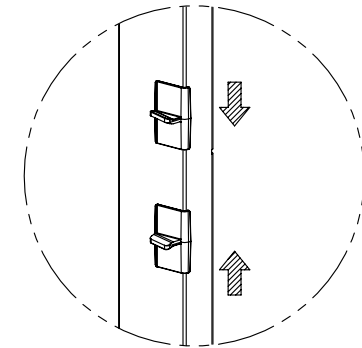
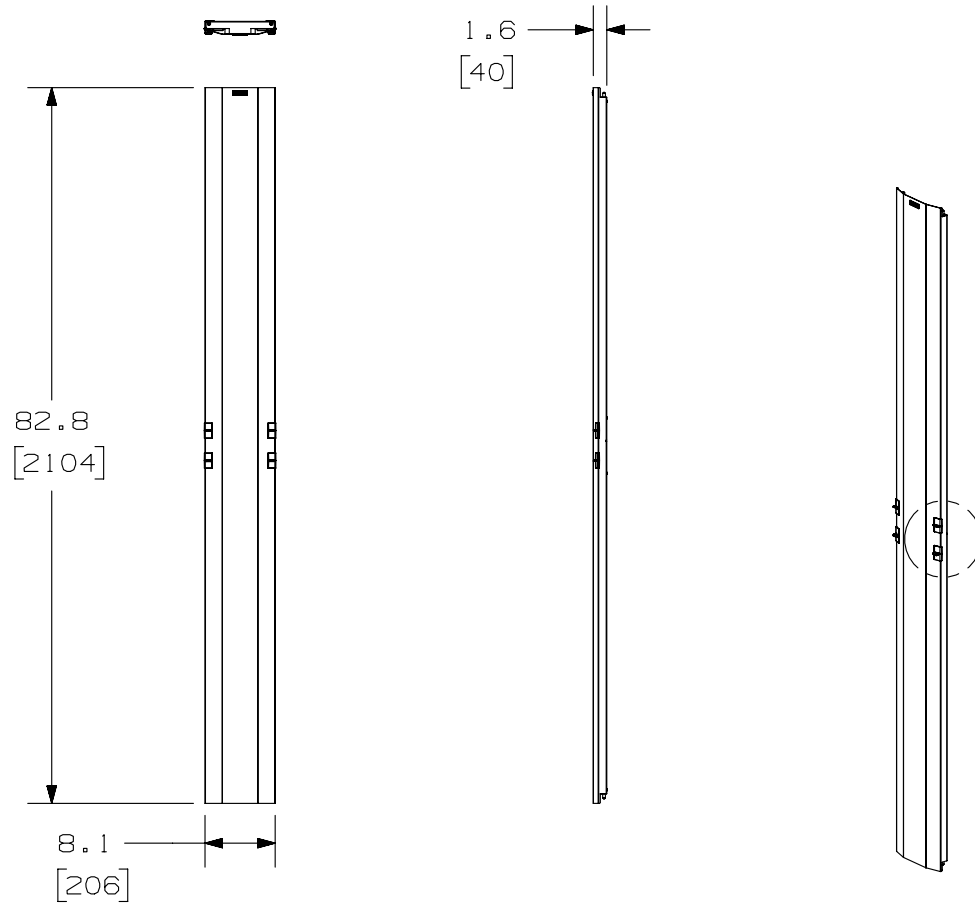


THIS COPY IS PROVIDED ON A RESTRICTED BASIS AND IS NOT TO BE USED IN ANY WAY DETRIMENTAL TO THE INTERESTS OF PANDUIT CORP.

PANDUIT P/N	WEIGHT
PRD8	6 LBS/ EACH (2.7 kg/ EACH)

NOTES:

- VISIT OUR ON-LINE CATALOG AT WWW.PANDUIT.COM FOR A CURRENT LIST OF PRODUCTS APPLICABLE FOR USE WITH THIS PART.
- DOORS OPEN TO THE LEFT OR THE RIGHT.
- DIMENSIONS IN PARENTHESIS ARE METRIC.
- ALL DIMENSIONS ARE REFERENCE ONLY.
- ALUMINUM WITH BLACK POWDER COAT FINISH.
- COMPONENTS:
 1- 8" DOOR
 2- DOOR STOP BRACKETS
 4- #10-32 X 1/2" SCREWS



DOOR LATCH ACTIVATION

REV	DATE	BY	CHK	APR	DESCRIPTION	ECN
12A	6-4-13	BAME	FGR	CMK	REVISED TITLE BLOCK	10200-34
R	5-18-04	JDWE			RELEASED TO PRODUCTION	10200-34

TITLE		8" PATCHRUNNER DOOR	
CUSTOMER DRAWING			
ITEM REVISION NAME		V10200AE/12	
DATASET FILE NAME		V10200AE_DC/12A	
UNLESS OTHERWISE SPECIFIED, DIMENSIONAL TOLERANCES ARE: IN (mm)		MATERIAL:	
.X ±		.XXX ±	
.XX ±		ANGLES ±	
		ALUMINUM	
DRAWN BY		DRAWING NUMBER:	
JDWE		10200-34	
DATE		SHT 1 OF 1	
5-18-04		A	
CHK		SCALE	
		NONE	

D10100DA/15