



Chipsmall Limited consists of a professional team with an average of over 10 year of expertise in the distribution of electronic components. Based in Hongkong, we have already established firm and mutual-benefit business relationships with customers from,Europe,America and south Asia,supplying obsolete and hard-to-find components to meet their specific needs.

With the principle of "Quality Parts,Customers Priority,Honest Operation,and Considerate Service",our business mainly focus on the distribution of electronic components. Line cards we deal with include Microchip,ALPS,ROHM,Xilinx,Pulse,ON,Everlight and Freescale. Main products comprise IC,Modules,Potentiometer,IC Socket,Relay,Connector.Our parts cover such applications as commercial,industrial, and automotives areas.

We are looking forward to setting up business relationship with you and hope to provide you with the best service and solution. Let us make a better world for our industry!



## Contact us

Tel: +86-755-8981 8866 Fax: +86-755-8427 6832

Email & Skype: info@chipsmall.com Web: www.chipsmall.com

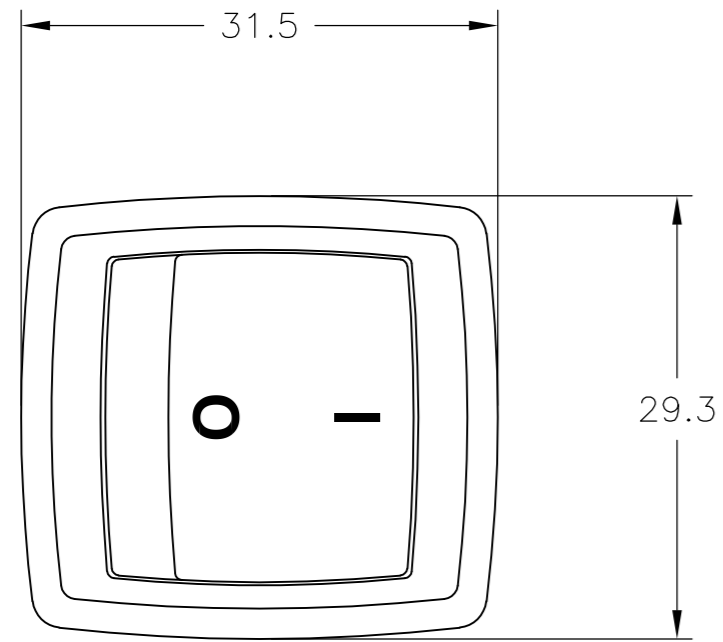
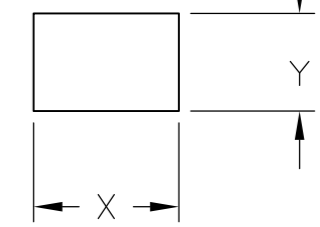
Address: A1208, Overseas Decoration Building, #122 Zhenhua RD., Futian, Shenzhen, China



THIS DRAWING IS UNPUBLISHED. RELEASED FOR PUBLICATION  
 © COPYRIGHT BY TYCO ELECTRONICS CORPORATION. ALL RIGHTS RESERVED.

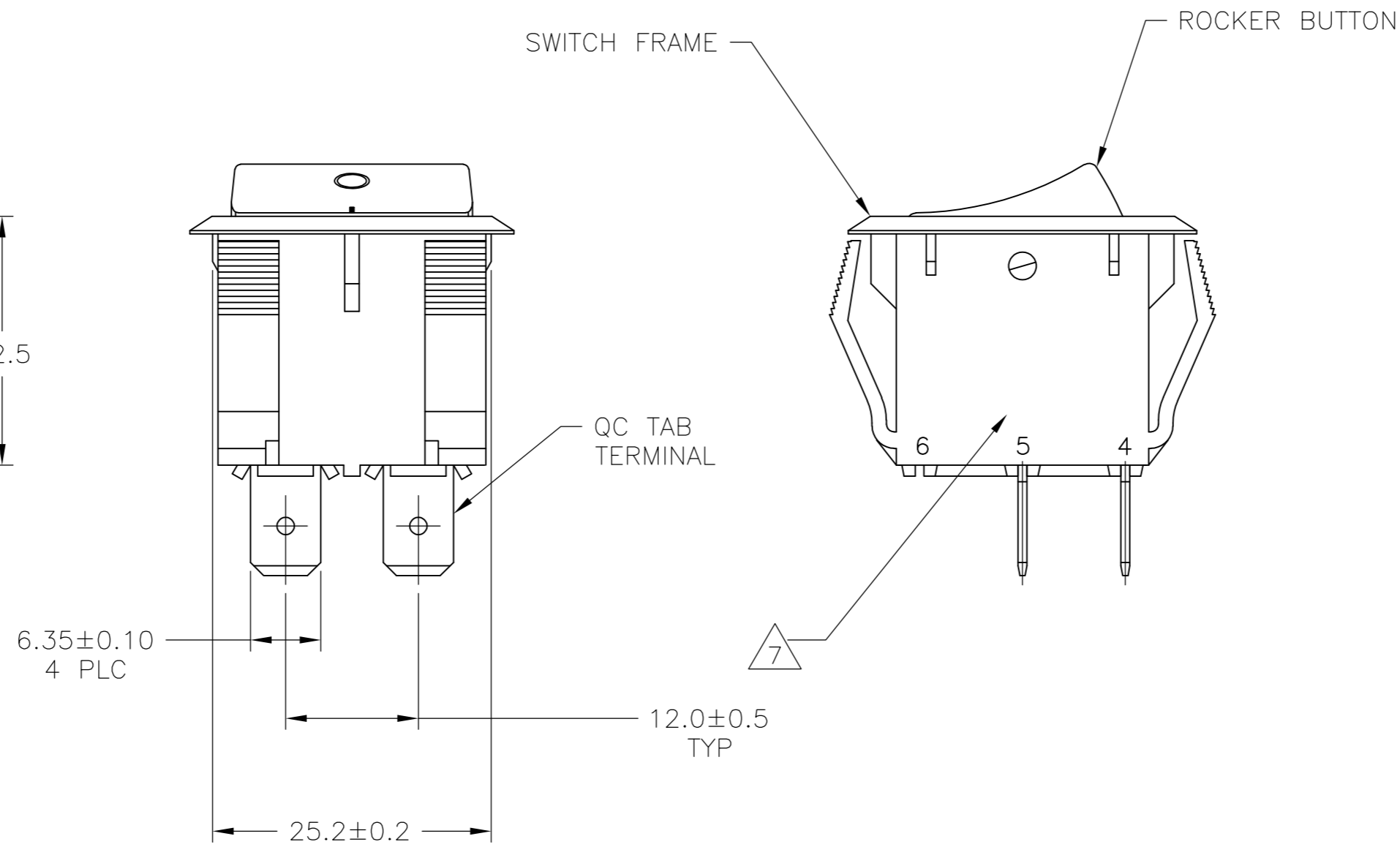
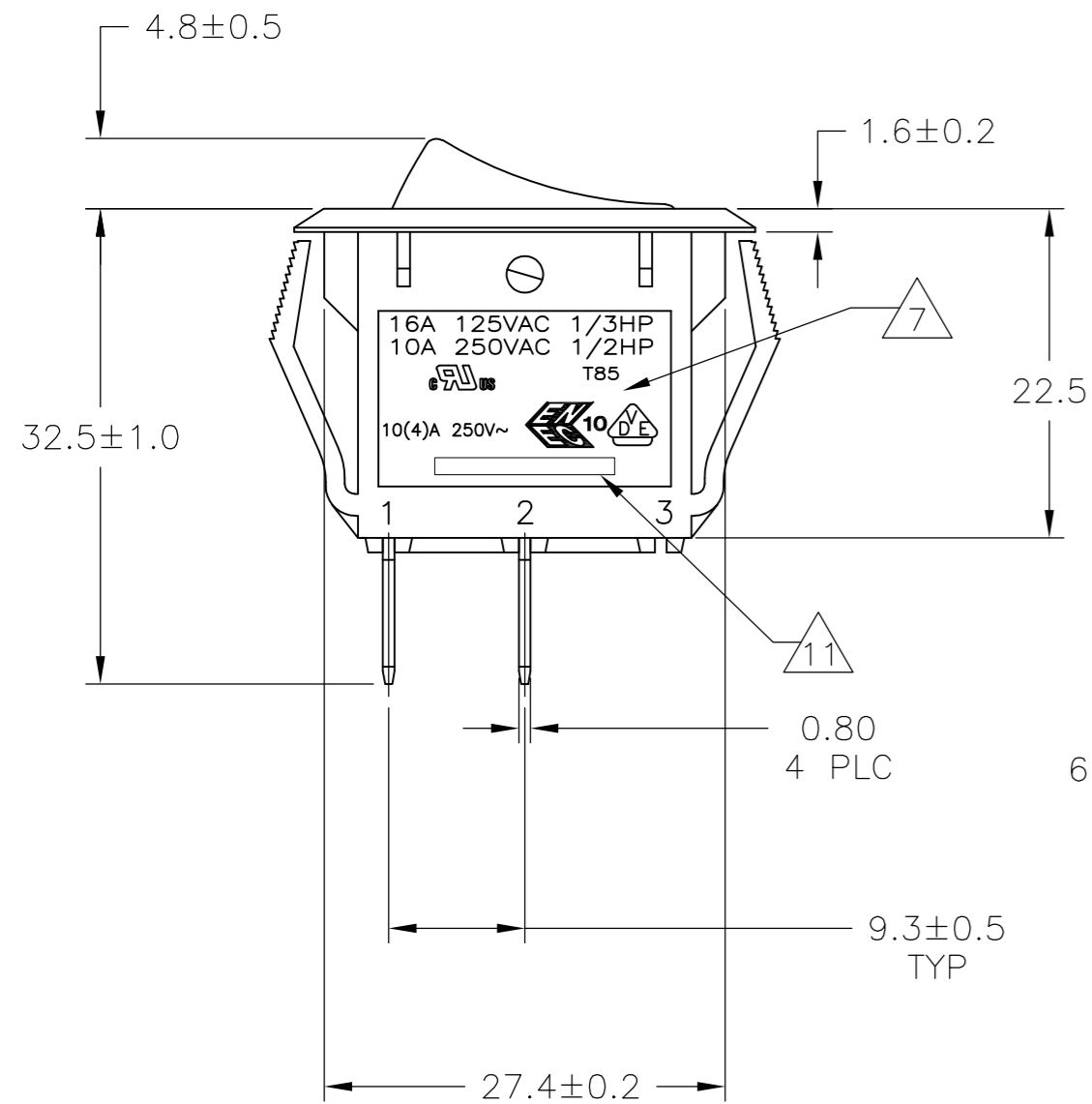
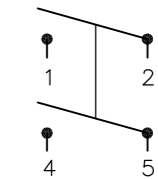
LOC	DIST	REVISIONS			
P	LTR	DESCRIPTION	DATE	DWN	APVD
AD	00	F1	REVISED PER ECO-10-005254	18MAR10	HMR NE

PANEL CUT OUT



5.00-6.30	28.6-0.1	25.4+0.1
3.00-5.00	28.0-0.1	25.4+0.1
0.75-3.00	27.6-0.1	25.4+0.1
PANEL THICKNESS	X	Y

SWITCH FUNCTION A1  
CIRCUIT DIAGRAM



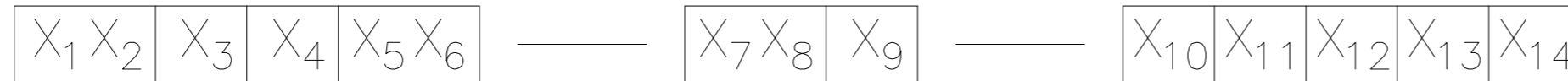
1571103-2 SHOWN

THIS DRAWING IS A CONTROLLED DOCUMENT.		DWN BSV 07APR04	Tyco Electronics Corporation Harrisburg, PA 17057	
DIMENSIONS: MM		CHK J.MOSIER	NAME POWER ROCKER SWITCH, 25.4mm X 27.6mm	
TOLERANCES UNLESS OTHERWISE SPECIFIED:		APVD JP	PANEL CUT-OUT SIZE, DOUBLE POLE, SINGLE THROW	
0 PLC ± -		PRODUCT SPEC	FOUR TERMINALS, NON-ILLUMINATED	
1 PLC ± 0.30		APPLICATION SPEC	SIZE A2	CAGE CODE 00779
2 PLC ± 0.05		NOT APPLICABLE	DRAWING NO C=1571103	
3 PLC ± -		NOT APPLICABLE	RESTRICTED TO -	
4 PLC ± -		FINISH 1 2	SCALE 2:1 SHEET 1 OF 2 REV F1	
ANGLES ± -		MATERIAL 1	CUSTOMER DRAWING	
FINISH 2				

THIS DRAWING IS UNPUBLISHED. RELEASED FOR PUBLICATION  
 © COPYRIGHT BY TYCO ELECTRONICS CORPORATION. ALL RIGHTS RESERVED.

LOC	DIST	REVISIONS			
P	LTR	DESCRIPTION	DATE	DWN	APVD
AD	00	SEE SHEET 1	-	-	-

LEGACY PART NUMBER



SWITCH TYPE: X1X2 = PR - POWER ROCKER

SECONDARY ROCKER COLOR: X12 = Ø - NOT APPLICABLE

NOMINAL PANEL CUT OUT SIZE: X3 = D - 25.4x27.6

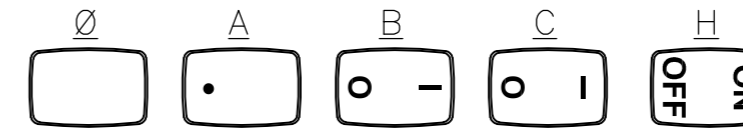
NUMBER OF POLES: X4 = D - DOUBLE

SWITCH FUNCTION: X5X6 = A1 - ON-OFF, WITH OPAQUE, SINGLE-COLOR ROCKER BUTTON.

LEGEND TEXT PATTERN: X13 =

CURRENT RATING: X7X8 = 16 - 6

TERMINAL TYPE: X9 = E - QC TAB



FRAME COLOR: X10 = B - BLACK  
W - WHITE

LEGEND TEXT COLOR: X14 = Ø - NOT APPLICABLE

ROCKER COLOR: X11 = B - BLACK  
G - GREEN  
R - RED  
W - WHITE

G - GREEN  
R - RED  
B - BLACK  
W - WHITE

1. MATERIALS:  
 ROCKER BUTTON & HOUSING: NYLON 66, UL 94 V-2.  
 TERMINAL, ACTIVE CONTACTOR: COPPER ALLOY PER ASTM B152/B152M  
 PLUNGER: COPPER ALLOY PER ASTM B036  
 SPRING: STEEL WIRE PER ASTM A228/A228M  
 CONTACT: SILVER-TIN OXIDE

5. ENVIRONMENTAL SPECIFICATIONS:  
 AMBIENT TEMPERATURE: -20°C TO +85°C  
 HUMIDITY: MAX 85%  
 SALT SPRAY: NO REMAKABLE RUST IN METAL PARTS (5% SALT / 35°C 24HRS)  
 SHOCK: NO MECHANICAL DEFECT OR DAMAGE (100g / 10MSEC / X,Y,Z 3 TIMES)  
 VIBRATION: NO MECHANICAL DEFECT OR DAMAGE (10-55Hz / 1.5mm / X,Y,Z 2HRS)

2. FINISH:  
 TERMINAL, ACTIVE CONTACTOR: 1.0µm MIN SILVER  
 PLUNGER: 3.0µm MIN NICKEL

6. UL: 16A@125VAC 1/3HP / 10A@250VAC 1/2HP  
 ENEC: 10(4)A 250V~

3. ELECTRICAL SPECIFICATIONS:  
 CURRENT & VOLTAGE 6  
 CONTACT RESISTANCE (INITIAL): <50mΩ  
 DIELECTRIC STRENGTH (INITIAL): >1000 VAC, 1 MINUTE  
 INSULATION RESISTANCE (INITIAL): >100MΩ MIN (500VDC BETWEEN OPEN CONTACTS)  
 INRUSH CURRENT: 50A / 3msec (CAPACITIVE LOAD)  
 ELECTRICAL LIFE ENDURANCE: >6000 OPERATIONS,  
 TEMPERATURE RISE AT TERMINALS: <30°C, 6000 OPERATIONS  
 (AMBIENT CONDITIONS: 25±2°C AND 65±5%RH)

7. ELECTRICAL RATINGS, APPROVED AGENCY LOGOS, TERMINAL IDENTIFICATION NUMBERS, AND THE TYCO/ELECTRONICS LOGO MOLDED APPROXIMATELY AS SHOWN ON THE SIDES OF THE SWITCH HOUSING.

8. COMPONENT RECOGNIZED TO US & CANDIAN STANDARDS.  
 UL FILE NO. E46765

9. COMPONENT-RECOGNIZED TO EUROPEAN STANDARDS  
 (ENEC & VDE) MARKS LICENSE NO 40020317

10. ROHS 2002/95/EC COMPLIANT

11. TYCO ELECTRONICS LOGO LOCATED APPROXIMATELY AS SHOWN

4. MECHANICAL SPECIFICATIONS:  
 ACTUATING FORCE: 850g MIN, 1250g MAX  
 OPERATING LIFE ENDURANCE: >100,000 OPERATIONS  
 TERMINAL STRENGTH : >10.0kg- QC TAB

PRDDA1-16F-BROHW	5-1571103-6
PRDDA1-16F-BR000	5-1571103-4
PRDDA1-16F-BB0HW	1571103-5
PRDDA1-16F-BB0CW	1571103-3
PRDDA1-16F-BB0BW	1571103-2
PRDDA1-16F-BB000	1571103-1
LEGACY PART NUMBER	PART NUMBER

THIS DRAWING IS A CONTROLLED DOCUMENT.		DWN BSV 07APR04	Tyco Electronics Corporation Harrisburg, PA 17057	
DIMENSIONS: MM		CHK J.MOSIER	NAME POWER ROCKER SWITCH, 25.4mm X 27.6mm	
TOLERANCES UNLESS OTHERWISE SPECIFIED:		APVD JP	PANEL CUT-OUT SIZE, DOUBLE POLE, SINGLE THROW	
0 PLC ± -	1 PLC ± 0.30	PRODUCT SPEC	FOUR TERMINALS, NON-ILLUMINATED	
2 PLC ± 0.05	3 PLC ± -	APPLICATION SPEC	SIZE A2 CAGE CODE 00779 DRAWING NO C=1571103 RESTRICTED TO -	
4 PLC ± -	ANGLES ± -	WEIGHT -	SCALE 1:1 SHEET 2 OF 2 REV F1	
MATERIAL	FINISH	CUSTOMER DRAWING		