



Chipsmall Limited consists of a professional team with an average of over 10 year of expertise in the distribution of electronic components. Based in Hongkong, we have already established firm and mutual-benefit business relationships with customers from,Europe,America and south Asia,supplying obsolete and hard-to-find components to meet their specific needs.

With the principle of “Quality Parts,Customers Priority,Honest Operation,and Considerate Service”,our business mainly focus on the distribution of electronic components. Line cards we deal with include Microchip,ALPS,ROHM,Xilinx,Pulse,ON,Everlight and Freescale. Main products comprise IC,Modules,Potentiometer,IC Socket,Relay,Connector.Our parts cover such applications as commercial,industrial, and automotives areas.

We are looking forward to setting up business relationship with you and hope to provide you with the best service and solution. Let us make a better world for our industry!



## Contact us

Tel: +86-755-8981 8866 Fax: +86-755-8427 6832

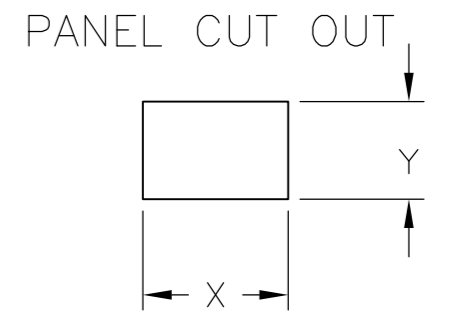
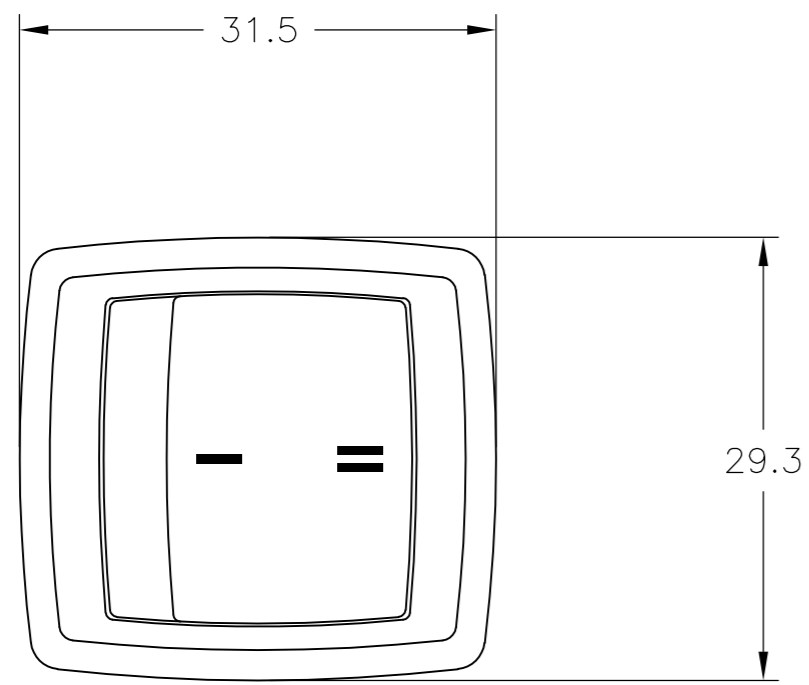
Email & Skype: info@chipsmall.com Web: www.chipsmall.com

Address: A1208, Overseas Decoration Building, #122 Zhenhua RD., Futian, Shenzhen, China

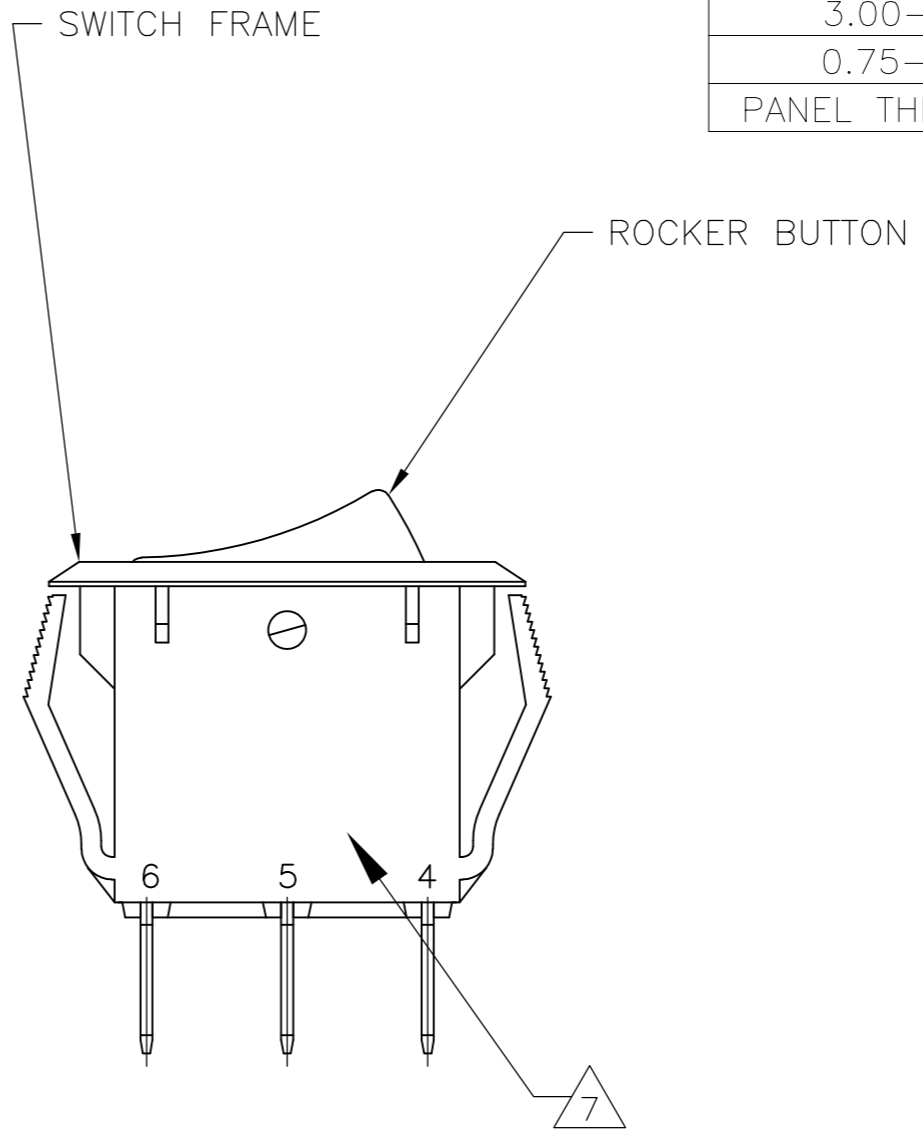
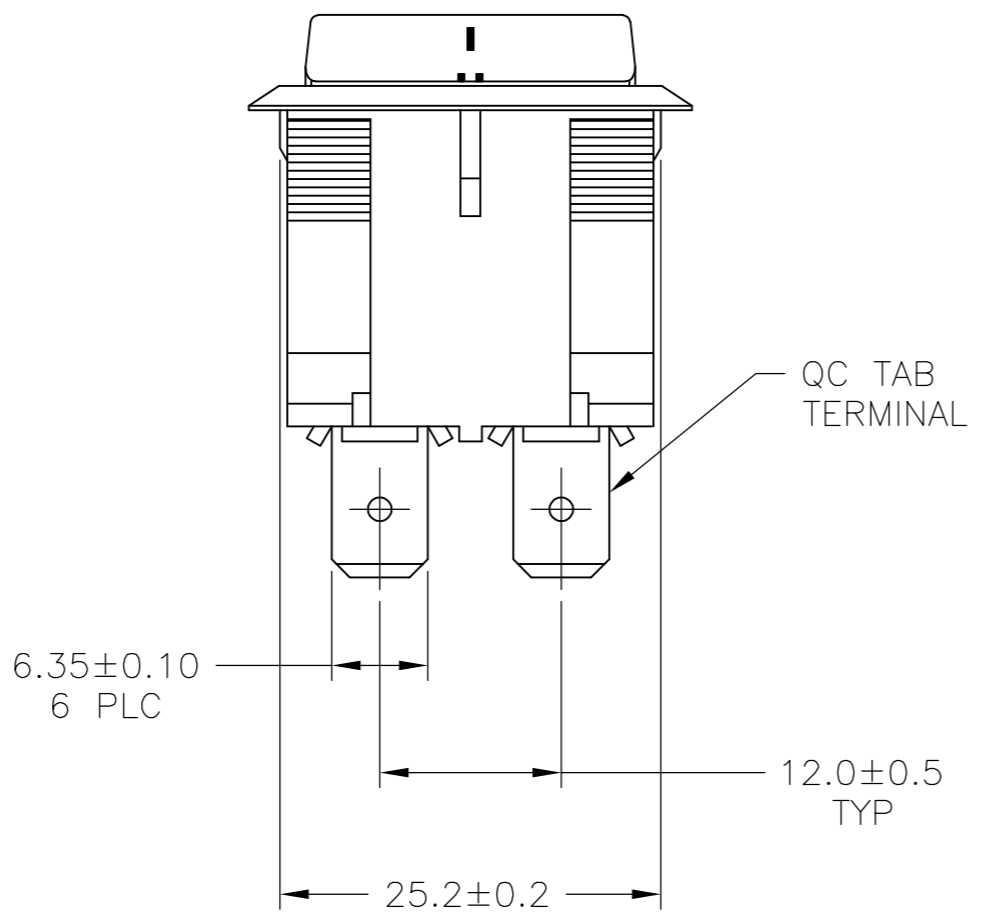
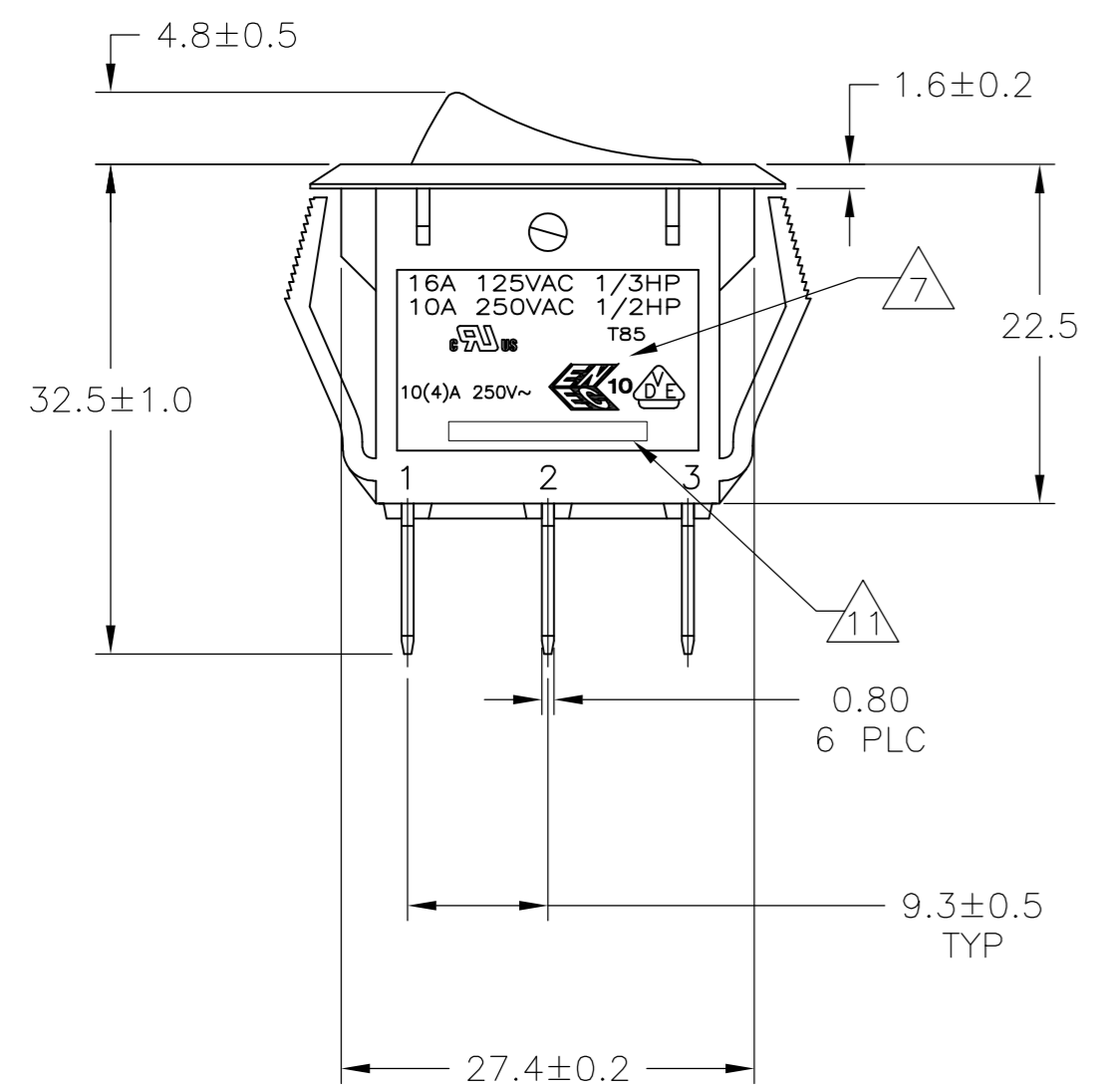


THIS DRAWING IS UNPUBLISHED. RELEASED FOR PUBLICATION  
 © COPYRIGHT BY TYCO ELECTRONICS CORPORATION. ALL INTERNATIONAL RIGHTS RESERVED.

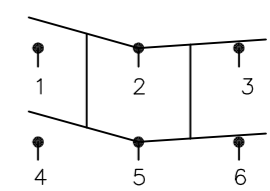
LOC		DIST		REVISIONS			
P	LTR	DESCRIPTION		DATE	DWN	APVD	
AD	00	E1	REVISED PER ECO-10-005254		19MAR10	HMR	NE



5.00-6.30	28.6-0.1	25.4+0.1
3.00-5.00	28.0-0.1	25.4+0.1
0.75-3.00	27.6-0.1	25.4+0.1
PANEL THICKNESS	X	Y



SWITCH FUNCTION D1  
CIRCUIT DIAGRAM

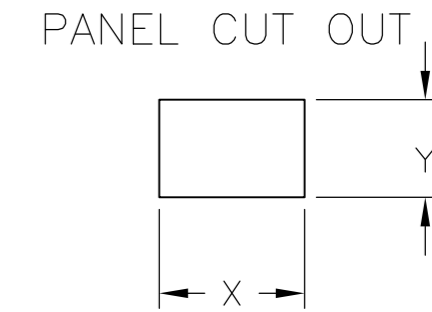
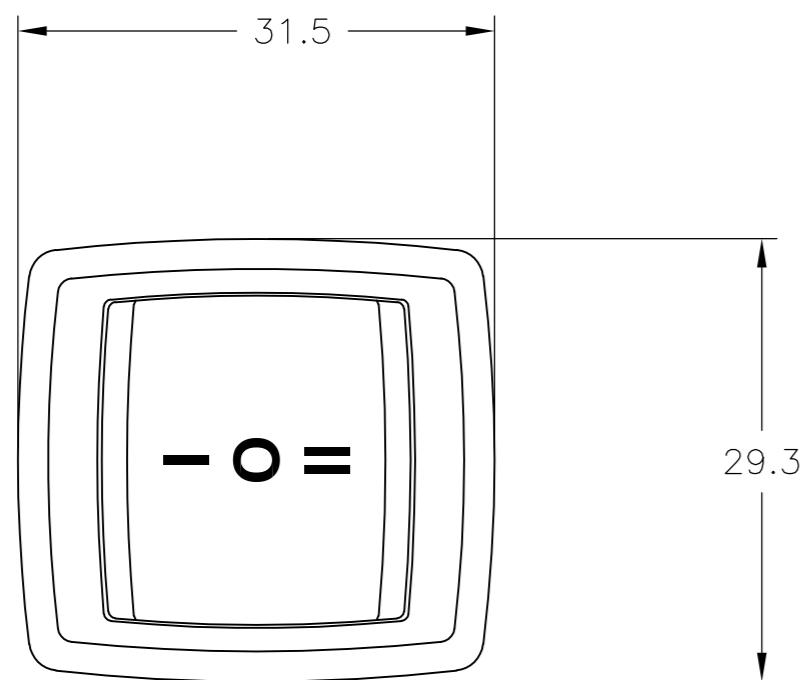


1571113-2 SHOWN

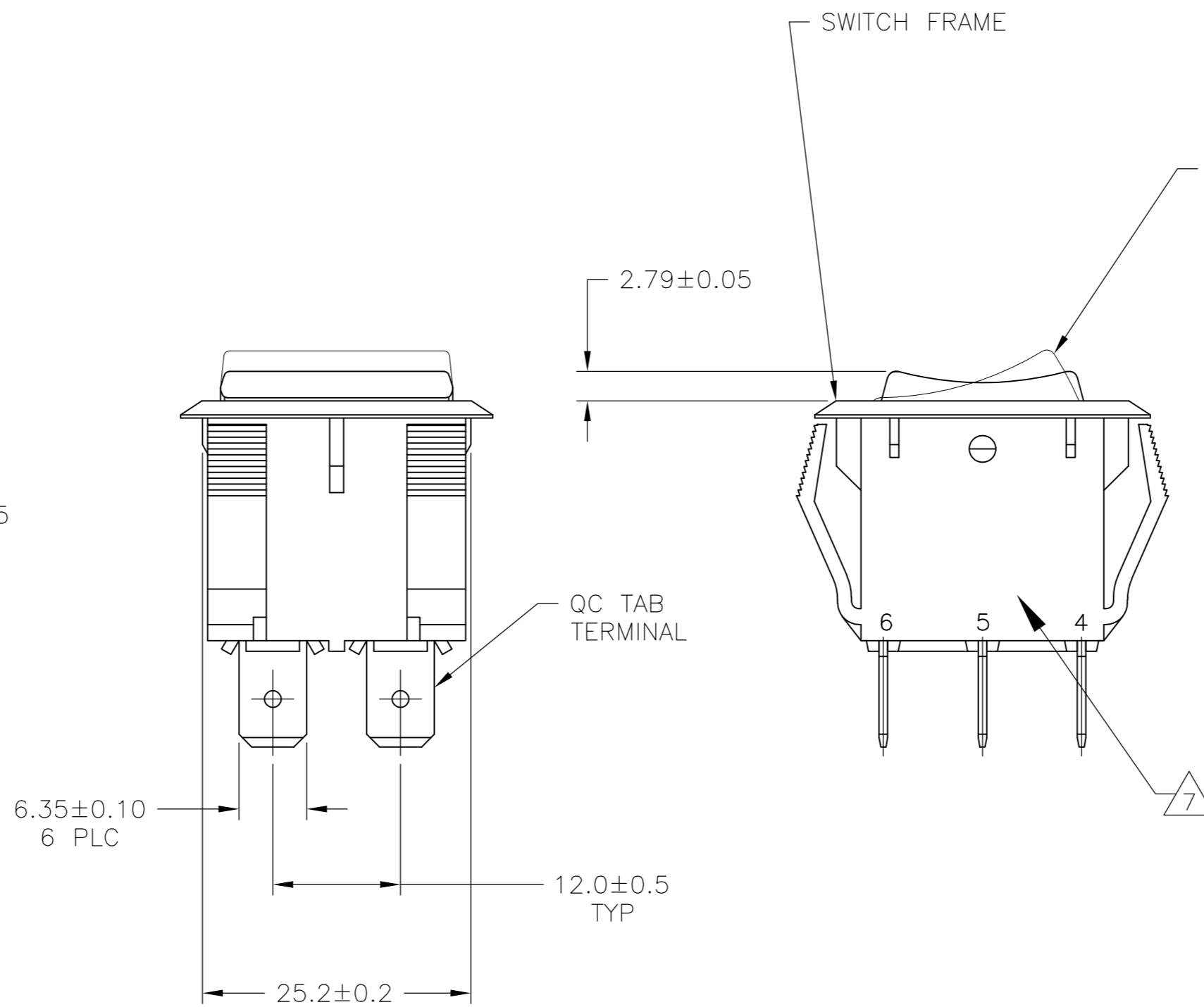
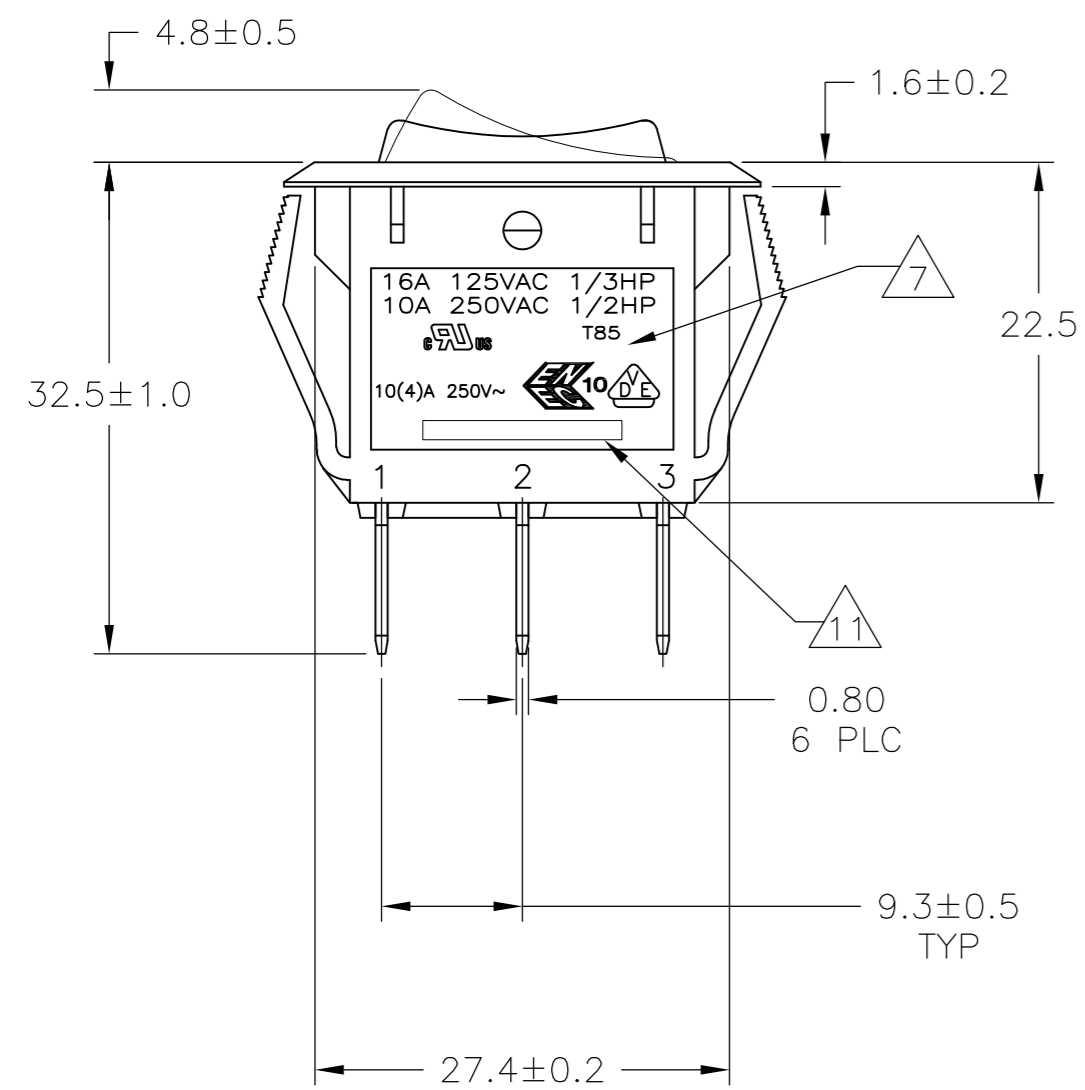
THIS DRAWING IS A CONTROLLED DOCUMENT.		DWN M BINNER	25FEB2002	Tyco Electronics Corporation Harrisburg, PA 17105-3608	
DIMENSIONS: mm		CHK J.MOSIER	APVD JP	NAME POWER ROCKER SWITCH, 25.4mm X 27.6mm PANEL CUT-OUT SIZE, DOUBLE POLE, SIX TERMINALS, NON-ILLUMINATED	
TOLERANCES UNLESS OTHERWISE SPECIFIED:		PRODUCT SPEC NOT APPLICABLE		SIZE A2	CAGE CODE 00779
MATERIAL		APPLICATION SPEC NOT APPLICABLE		DRAWING NO 1571113	RESTRICTED TO
FINISH		WEIGHT -		SCALE 2:1	SHEET 1 OF 3
1		2		CUSTOMER DRAWING	REV E1

THIS DRAWING IS UNPUBLISHED. RELEASED FOR PUBLICATION  
 © COPYRIGHT BY TYCO ELECTRONICS CORPORATION. ALL INTERNATIONAL RIGHTS RESERVED.

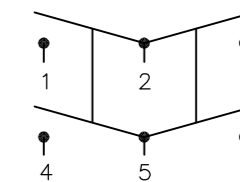
LOC	DIST	REVISIONS			
P	LTR	DESCRIPTION	DATE	DWN	APVD
AD	00	SEE SHEET 1	-	-	-



5.00-6.30	28.6-0.1	25.4+0.1
3.00-5.00	28.0-0.1	25.4+0.1
0.75-3.00	27.6-0.1	25.4+0.1
PANEL THICKNESS	X	Y



SWITCH FUNCTION D3  
CIRCUIT DIAGRAM



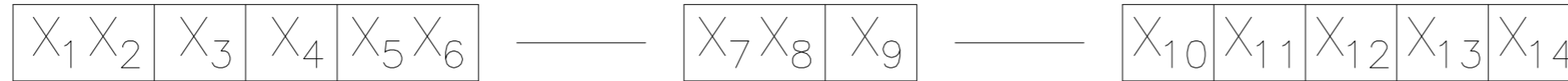
1571113-5 SHOWN

THIS DRAWING IS A CONTROLLED DOCUMENT.		DWN M BINNER	25FEB2002	Tyco Electronics Corporation Harrisburg, PA 17105-3608	
DIMENSIONS: mm		CHK J.MOSIER	APVD JP	NAME POWER ROCKER SWITCH, 25.4mm X 27.6mm PANEL CUT-OUT SIZE, DOUBLE POLE, SIX TERMINALS, NON-ILLUMINATED	
TOLERANCES UNLESS OTHERWISE SPECIFIED: 0 PLC ± - 1 PLC ± 0.30 2 PLC ± 0.05 3 PLC ± - 4 PLC ± - ANGLES ± - FINISH		PRODUCT SPEC NOT APPLICABLE APPLICATION SPEC NOT APPLICABLE		SIZE A2	CAGE CODE 00779
MATERIAL 1		WEIGHT -		DRAWING NO C=1571113	RESTRICTED TO -
CUSTOMER DRAWING				SCALE 2:1	SHEET 2 OF 3
				REV E1	

THIS DRAWING IS UNPUBLISHED. RELEASED FOR PUBLICATION  
 © COPYRIGHT BY TYCO ELECTRONICS CORPORATION. ALL INTERNATIONAL RIGHTS RESERVED.

LOC	DIST	REVISIONS			
P	LTR	DESCRIPTION	DATE	DWN	APVD
AD	00	SEE SHEET 1	-	-	-

LEGACY PART NUMBER



SWITCH TYPE: X1 X2 = PR - POWER ROCKER

NOMINAL PANEL CUT OUT SIZE: X3 = D - 25.4x27.6

NUMBER OF POLES: X4 = D - DOUBLE

SWITCH FUNCTION: X5 X6 = D1 - ON-ON, WITH OPAQUE, SINGLE-COLOR ROCKER BUTTON.

D3 - ON-OFF-ON, WITH OPAQUE, SINGLE-COLOR ROCKER BUTTON.

CURRENT RATING: X7 X8 = 16 - 6

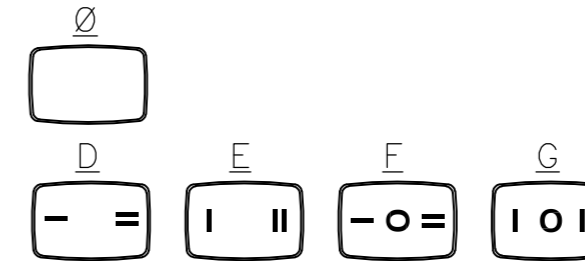
TERMINAL TYPE: X9 = E - QC TAB

FRAME COLOR: X10 = B - BLACK  
W - WHITE

ROCKER COLOR: X11 = B - BLACK  
G - GREEN  
R - RED  
W - WHITE

SECONDARY ROCKER COLOR: X12 = Ø - NOT APPLICABLE

LEGEND TEXT PATTERN: X13 =



LEGEND TEXT COLOR: X14 = Ø - NOT APPLICABLE

G - GREEN  
R - RED  
B - BLACK  
W - WHITE

1. **MATERIALS:**  
 ROCKER BUTTON & HOUSING: NYLON 66, UL 94 V-2.  
 TERMINAL, ACTIVE CONTACTOR: COPPER ALLOY PER ASTM B152/B152M  
 PLUNGER: COPPER ALLOY PER ASTM B036  
 SPRING: STEEL WIRE PER ASTM A228/A228M  
 CONTACT: SILVER-TIN OXIDE

2. **FINISH:**  
 TERMINAL, ACTIVE CONTACTOR: 1.0µm MIN SILVER  
 PLUNGER: 3.0µm MIN NICKEL

3. **ELECTRICAL SPECIFICATIONS:**  
 CURRENT & VOLTAGE 6  
 CONTACT RESISTANCE (INITIAL): <50mΩ  
 DIELECTRIC STRENGTH (INITIAL): >1000 VAC, 1 MINUTE  
 INSULATION RESISTANCE (INITIAL): >100MΩ MIN (500VDC BETWEEN OPEN CONTACTS)  
 INRUSH CURRENT: 50A / 3msec (CAPACITIVE LOAD)  
 ELECTRICAL LIFE ENDURANCE: >6000 OPERATIONS,  
 TEMPERATURE RISE AT TERMINALS: <30°C, 6000 OPERATIONS  
 (AMBIENT CONDITIONS: 25±2°C AND 65±5%RH)

4. **MECHANICAL SPECIFICATIONS:**  
 ACTUATING FORCE: 850g MIN, 1250g MAX  
 OPERATING LIFE ENDURANCE: >100,000 OPERATIONS  
 TERMINAL STRENGTH : >10.0kg- QC TAB

5. **ENVIRONMENTAL SPECIFICATIONS:**  
 AMBIENT TEMPERATURE: -20°C TO +85°C  
 HUMIDITY: MAX 85%  
 SALT SPRAY: NO REMAKABLE RUST IN METAL PARTS (5%SALT / 35°C 24HRS)  
 SHOCK: NO MECHANICAL DEFECT OR DAMAGE (100g / 10MSEC/ X,Y,Z 3 TIMES)  
 VIBRATION: NO MECHANICAL DEFECT OR DAMAGE (10-55Hz /1.5mm/ X,Y,Z 2HRS)

6. UL: 16A@125VAC 1/3HP / 10A@250VAC 1/2HP  
 7. ENEC: 10(4)A 250V~

7. ELECTRICAL RATINGS, APPROVED AGENCY LOGOS, TERMINAL IDENTIFICATION NUMBERS, MOLDED APPROXIMATELY AS SHOWN ON THE SIDES OF THE SWITCH HOUSING.

8. COMPONENT-RECONIZED TO US & CANADIAN STANDARDS  
 UL FILE NO. E46765

9. COMPONENT-RECOGNIZED TO EUROPEAN STANDARDS  
 (ENEC & VDE) MARKS LICENSE NO 40020317

10. ROHS 2002/95/EC COMPLIANT

11. TYCO ELECTRONICS LOGO LOCATED APPROXIMATELY AS SHOWN

2	PRDDD3-16F-BR000	5-1571113-7
2	PRDDD3-16F-BB0GW	1571113-6
2	PRDDD3-16F-BB0FW	1571113-5
2	PRDDD3-16F-BB000	1571113-4
1	PRDDD1-16F-BB0EW	1571113-3
1	PRDDD1-16F-BB0DW	1571113-2
1	PRDDD1-16F-BB000	1571113-1
SHEET REF.	LEGACY PART NUMBER	PART NUMBER

THIS DRAWING IS A CONTROLLED DOCUMENT.		DWN M BINNER	25FEB2002	Tyco Electronics Corporation Harrisburg, PA 17105-3608	
DIMENSIONS: mm		CHK J.MOSIER	APVD JP	NAME POWER ROCKER SWITCH, 25.4mm X 27.6mm PANEL CUT-OUT SIZE, DOUBLE POLE, SIX TERMINALS, NON-ILLUMINATED	
TOLERANCES UNLESS OTHERWISE SPECIFIED: 0 PLC ± - 1 PLC ± 0.30 2 PLC ± 0.05 3 PLC ± - 4 PLC ± - ANGLES ± -		PRODUCT SPEC NOT APPLICABLE APPLICATION SPEC NOT APPLICABLE		SIZE A2	CAGE CODE 00779
MATERIAL		WEIGHT -		DRAWING NO C=1571113	RESTRICTED TO -
CUSTOMER DRAWING				SCALE 1:1	SHEET 3 OF 3
				REV E1	