



Chipsmall Limited consists of a professional team with an average of over 10 year of expertise in the distribution of electronic components. Based in Hongkong, we have already established firm and mutual-benefit business relationships with customers from,Europe,America and south Asia,supplying obsolete and hard-to-find components to meet their specific needs.

With the principle of “Quality Parts,Customers Priority,Honest Operation,and Considerate Service”,our business mainly focus on the distribution of electronic components. Line cards we deal with include Microchip,ALPS,ROHM,Xilinx,Pulse,ON,Everlight and Freescale. Main products comprise IC,Modules,Potentiometer,IC Socket,Relay,Connector.Our parts cover such applications as commercial,industrial, and automotives areas.

We are looking forward to setting up business relationship with you and hope to provide you with the best service and solution. Let us make a better world for our industry!



Contact us

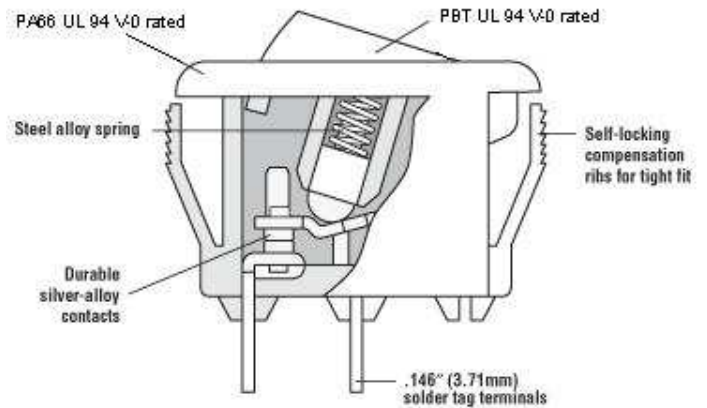
Tel: +86-755-8981 8866 Fax: +86-755-8427 6832

Email & Skype: info@chipsmall.com Web: www.chipsmall.com

Address: A1208, Overseas Decoration Building, #122 Zhenhua RD., Futian, Shenzhen, China



Single-Pole Rocker Switch PR Series



Features

- Smallest agency approved rocker switch
- Available in a variety of colors
- Low-profile design
- Mechanical life: min. 50,000 operations

Electrical Ratings				
Switch Series	EN61058 Rating	UL1054 Rating	Electrical Life at Rated Load	
			According to VDE (Min. Operations)	According to UL (Min. Operations)
PR	3A, 250VAC, T100/55	6A, 125VAC; 3A 250VAC	10,000	6,000

Electrical Specifications		Material Specifications	
Ratings:	6A, 125VAC; 3A 250VAC (cULus) 3A, 250VAC, T100/55 (VDE)	Actuator:	PBT UL 94 V-0 rated
Dielectric Strength:	1000VAC for 1 minute	Base:	PA66 UL 94 V-0 rated
Insulation Resistance:	100M ohms min at 500VDC	Spring:	Piano Wire
Initial Contact Resistance:	20 μ ohms max	Contacts:	Silver Alloy
Temperature Range:	-0°C to + 100°C (VDE) -20°C to + 65°C (UL)	Movable Arm:	Silver-Plated Copper Alloy
		Terminals:	Silver-Plated Copper Alloy

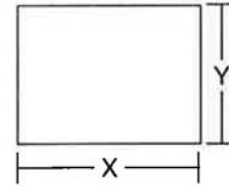
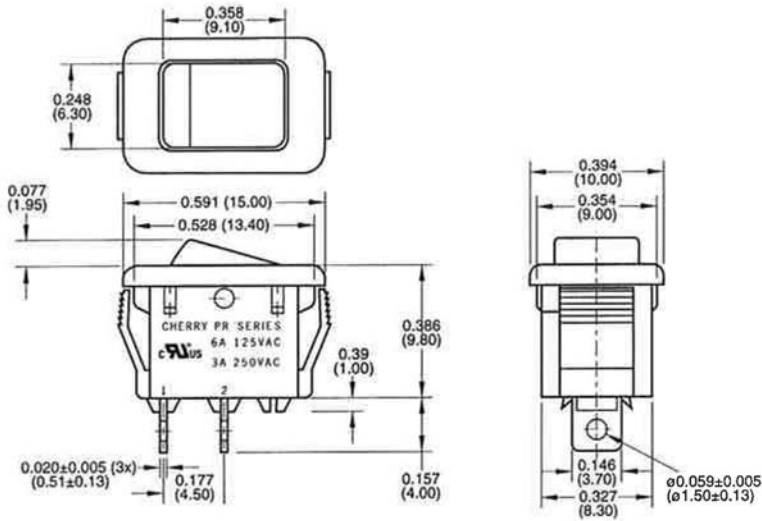


RoHS Compliant
UL File No: E23301

Specifications subject to change without notice.

Single-Pole Rocker Switch

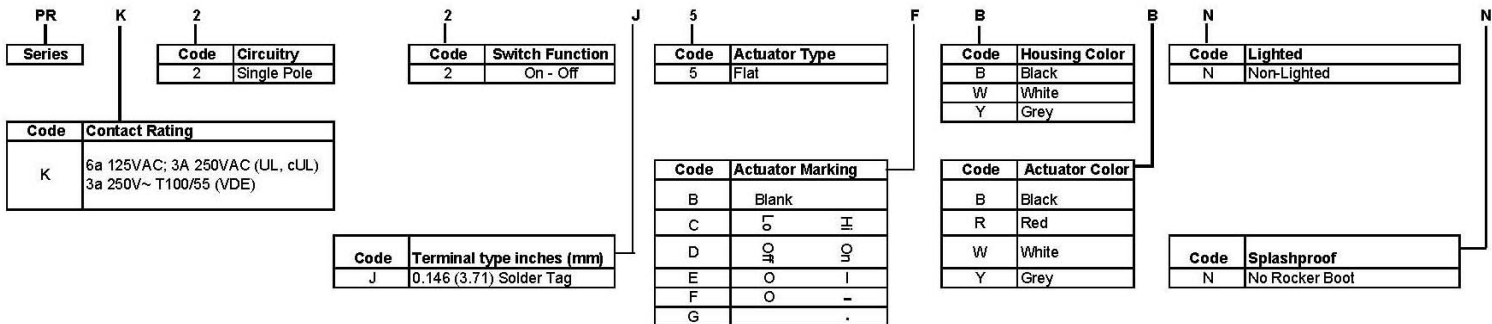
PR Series



Z = Panel Thickness

Recommended Panel Cut-Out Dimensions

Dim. Z	Dim. X	Dim. Y
0.030 to 0.049 (0.75 to 1.25)	0.535 (13.6)	0.362 ±.004 (9.2 ±0.10)
0.049 to 0.079 (1.25 to 2.00)	0.539 (13.7)	0.362 ±.004 (9.2 ±0.10)
0.079 to 0.098 (2.00 to 2.50)	0.543 (13.8)	0.362 ±.004 (9.2 ±0.10)



Examples of Common Part Numbers and Descriptions inches (mm)

Part Number	Circuitry	Switch Function	Terminal Type	Actuator/Housing Color	Legend Marking
PRK22J5BBBNN		On - Off	0.146 (3.71) Solder Tag	Black/Black	
PRK22J5DBBNN		On - Off	0.146 (3.71) Solder Tag	Black/Black	

Contact

Call, fax or visit our Website for more information.

ZF Electronics Corporation
11200 88th Avenue
Pleasant Prairie, WI 53158

Phone: 262.942.6500
Web: www.cherrycorp.com
Email: cep_sales@zf.com
Fax: 262.942.6566

The manufacturer accepts no liability for errors or non-availability, and reserves the right to change specifications without prior notice.

Technical data relates to product specifications only. Features may differ from those described. Only drawings combined with product specifications shall be deemed binding.

© 2007 ZF Electronics Corporation

Last Updated:090911

