



Chipsmall Limited consists of a professional team with an average of over 10 year of expertise in the distribution of electronic components. Based in Hongkong, we have already established firm and mutual-benefit business relationships with customers from,Europe,America and south Asia,supplying obsolete and hard-to-find components to meet their specific needs.

With the principle of “Quality Parts,Customers Priority,Honest Operation,and Considerate Service”,our business mainly focus on the distribution of electronic components. Line cards we deal with include Microchip,ALPS,ROHM,Xilinx,Pulse,ON,Everlight and Freescale. Main products comprise IC,Modules,Potentiometer,IC Socket,Relay,Connector.Our parts cover such applications as commercial,industrial, and automotives areas.

We are looking forward to setting up business relationship with you and hope to provide you with the best service and solution. Let us make a better world for our industry!



Contact us

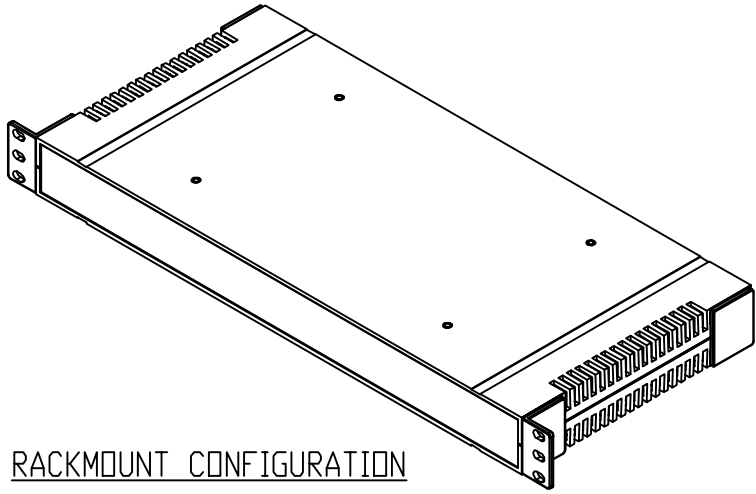
Tel: +86-755-8981 8866 Fax: +86-755-8427 6832

Email & Skype: info@chipsmall.com Web: www.chipsmall.com

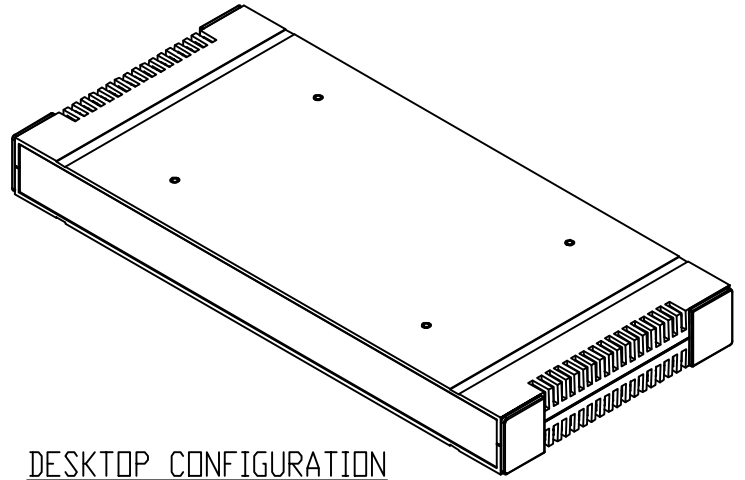
Address: A1208, Overseas Decoration Building, #122 Zhenhua RD., Futian, Shenzhen, China



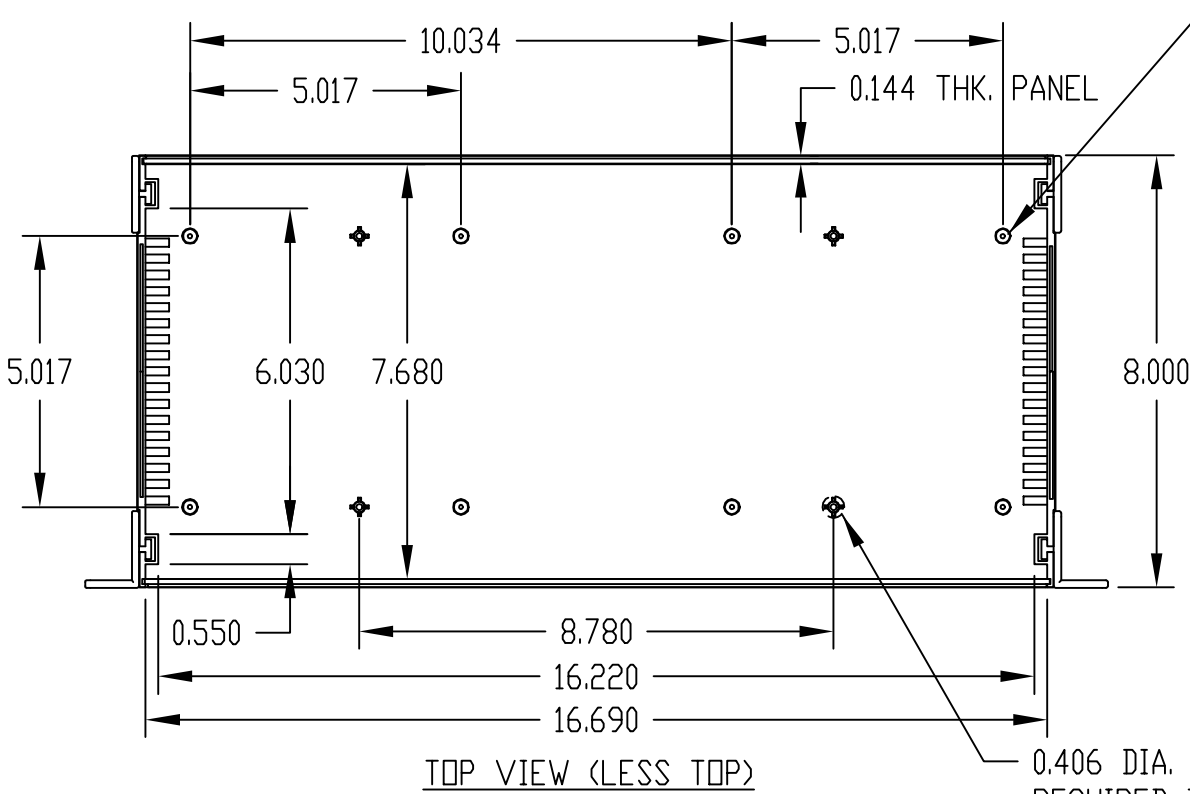
PART NAME	RACKMOUNT BOX	PART No.	PRM-14460 TO PRM-14464	REV. DATE	1-26-10
-----------	---------------	----------	------------------------	-----------	---------



RACKMOUNT CONFIGURATION



DESKTOP CONFIGURATION



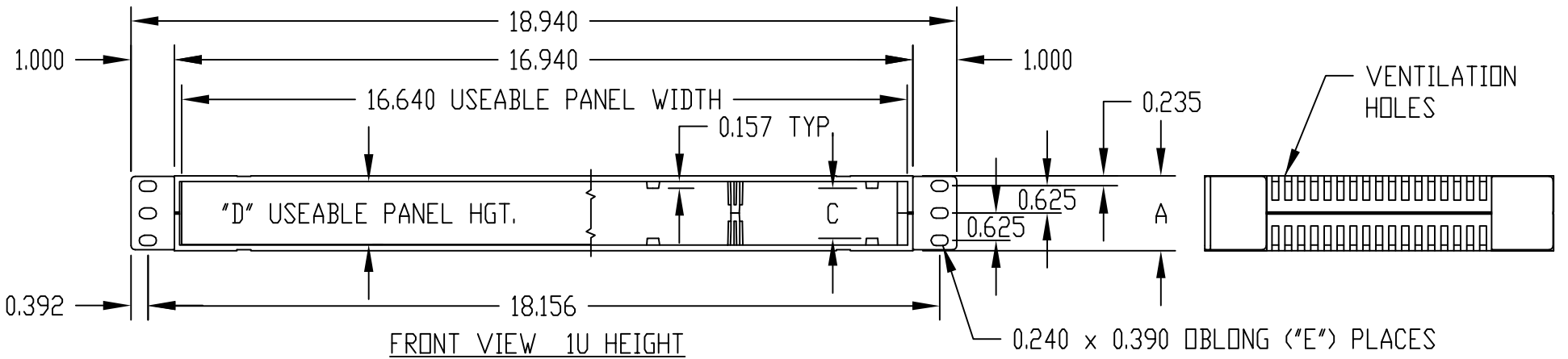
TOP VIEW (LESS TOP)

0.285 DIA. BOSS WITH 0.085 DIA. HOLE
x 0.156 DEEP (16) PLACES
(8) PL'S. IN BOTTOM, (8) PL'S. IN TOP

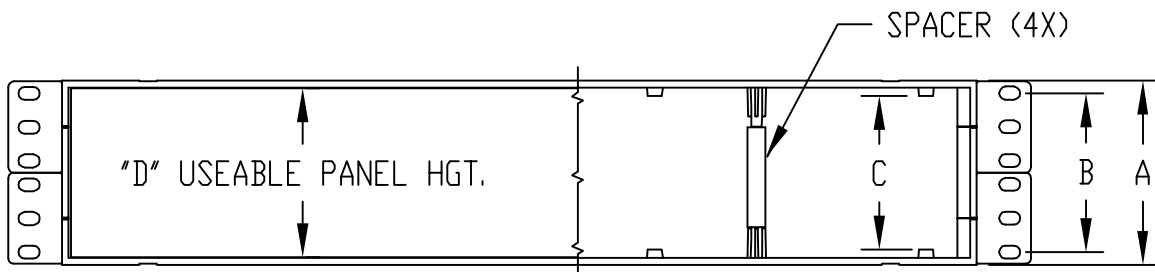
MATERIAL:
MOLDED ABS UL94-HB
FINISH:
BLACK TEXTURED

NOTES:
UNITS SHIPPED UNASSEMBLED
MOUNTING BOSSES USE EITHER M2.5
METRIC OR #4 STD. SHEET METAL
SCREWS x 0.188" LG. (NOT SUPPLIED)
ALL DIMENSIONS HAVE ±0.040 TOLERANCE
UNLESS OTHERWISE SPECIFIED.

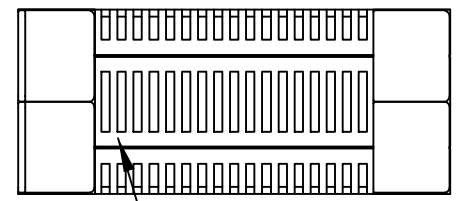
0.406 DIA. CLEARANCE HOLE
REQUIRED IN P.C.B.



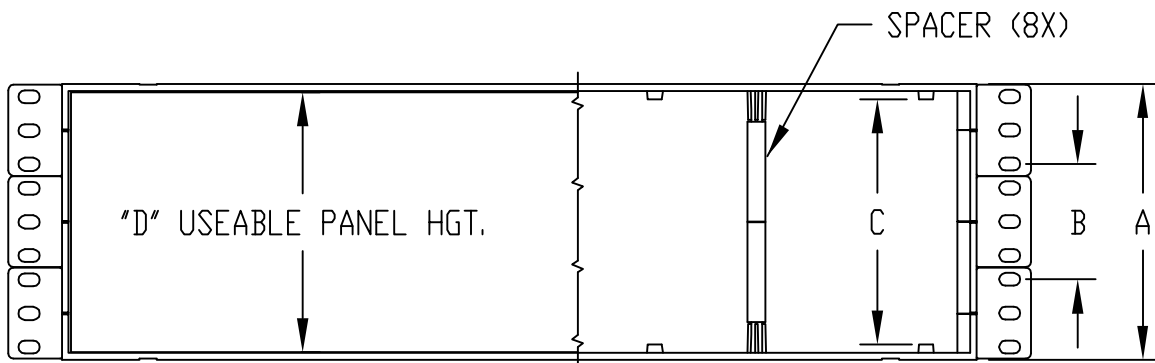
FRONT VIEW 1U HEIGHT



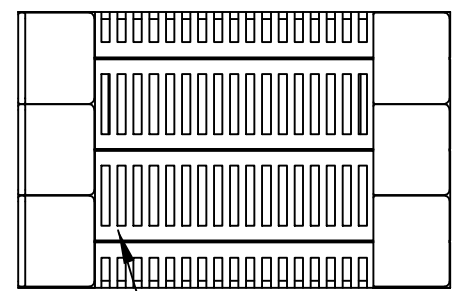
FRONT VIEW 2U HEIGHT



SIDE PANEL (2X)



FRONT VIEW 3U HEIGHT



SIDE PANEL (4X)

PART No.	"A"	"B"	"C"	"D"	"E"
PRM-14460	1.720	---	1.146	1.440	(6)
PRM-14462	3.416	3.000	2.842	3.128	(12)
PRM-14464	5.112	2.250	4.538	4.816	(18)