



Chipsmall Limited consists of a professional team with an average of over 10 year of expertise in the distribution of electronic components. Based in Hongkong, we have already established firm and mutual-benefit business relationships with customers from,Europe,America and south Asia,supplying obsolete and hard-to-find components to meet their specific needs.

With the principle of “Quality Parts,Customers Priority,Honest Operation,and Considerate Service”,our business mainly focus on the distribution of electronic components. Line cards we deal with include Microchip,ALPS,ROHM,Xilinx,Pulse,ON,Everlight and Freescale. Main products comprise IC,Modules,Potentiometer,IC Socket,Relay,Connector.Our parts cover such applications as commercial,industrial, and automotives areas.

We are looking forward to setting up business relationship with you and hope to provide you with the best service and solution. Let us make a better world for our industry!



Contact us

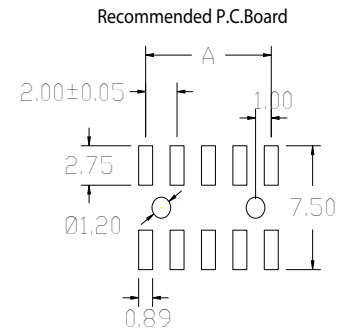
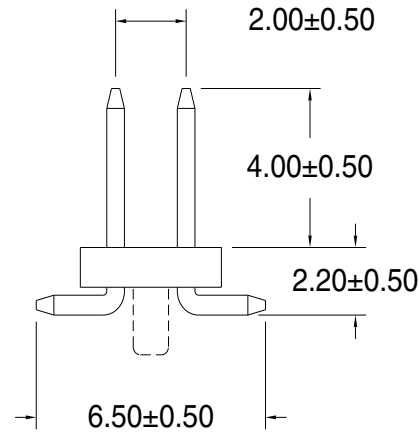
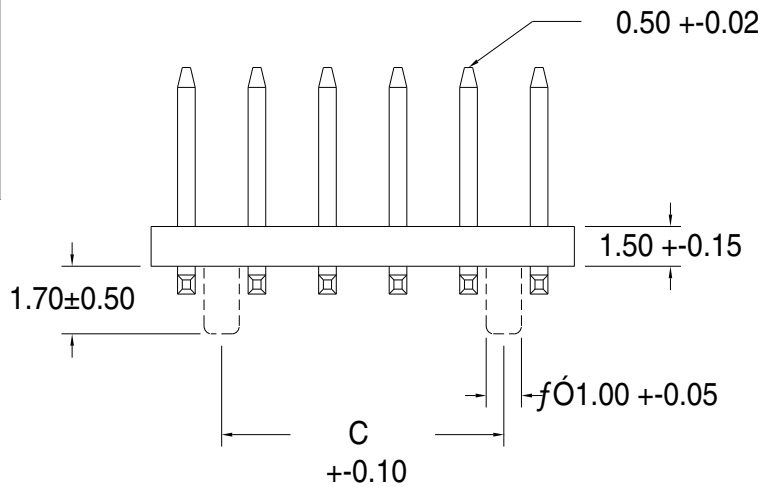
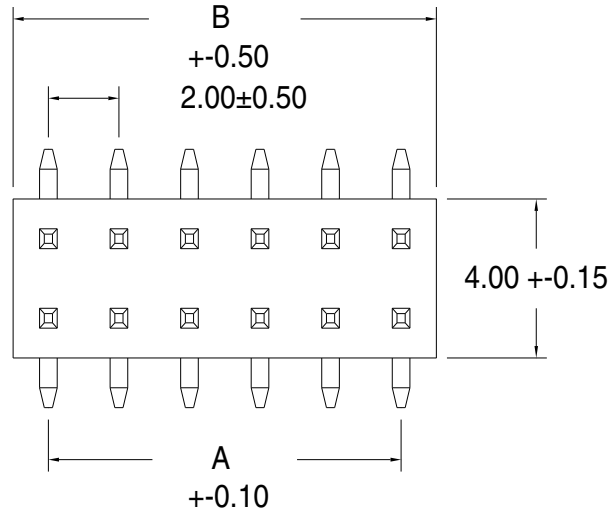
Tel: +86-755-8981 8866 Fax: +86-755-8427 6832

Email & Skype: info@chipsmall.com Web: www.chipsmall.com

Address: A1208, Overseas Decoration Building, #122 Zhenhua RD., Futian, Shenzhen, China



No. of Contacts/ Positions	DIMENSIONS		
	A	B	C
02/01	N/A	2.00	N/A
04/02	2.00	4.00	N/A
06/03	4.00	6.00	2.00
08/04	6.00	8.00	4.00
10/05	8.00	10.00	6.00
12/06	10.00	12.00	8.00
14/07	12.00	14.00	10.00
16/08	14.00	16.00	12.00
18/09	16.00	18.00	14.00
20/10	18.00	20.00	16.00
22/11	20.00	22.00	18.00
24/12	22.00	24.00	20.00
26/13	24.00	26.00	22.00
28/14	26.00	28.00	24.00
30/15	28.00	30.00	26.00
32/16	30.00	32.00	28.00
34/17	32.00	34.00	30.00
36/18	34.00	36.00	32.00
38/19	36.00	38.00	34.00
40/20	38.00	40.00	36.00
42/21	40.00	42.00	38.00
44/22	42.00	44.00	40.00
46/23	44.00	46.00	42.00
48/24	46.00	48.00	44.00
50/25	48.00	50.00	46.00



SPECIFICATIONS

Current Rating:	1 Amp
Insulator Resistance:	5000 Mega Ohms min.
Dielectric Withstanding:	AC 500 V
Operating Temperature:	-40 Degrees C. to +105 Degrees C.
Max Processing Temp:	230 Degrees C. for 30-60 seconds (260 Degrees C. for 10 seconds)
Contact Material:	Brass
Insulator Material:	Polyester, UL 94V-0
	© Standard: Nylon-6T
Contact Finish:	Gold flash all over

NOTE: Replace "xx" with number of positions to complete part number.

SULLINS 801 E. MISSION RD. SAN MARCOS, CA 92069	GENERAL TOLERANCE		SCALE 5:1	DRAWN	DATE	DWG. NO. T0017B	TITLE	REV.
	XX. +- .20	XXX. +- .XXX +-	UNIT MM	CHECK	DATE		PARTS NO. PRPNxx2MAMP (WITH LOCATING PEG) PRPNxx2MAMS (WITHOUT LOCATING PEG)	
	.X +- 0.10	X.B +- .XB +-	SIZE A4	APPROVE	DATE			
	XX +- 0.05	.XB +- .XB +-						