



Chipsmall Limited consists of a professional team with an average of over 10 year of expertise in the distribution of electronic components. Based in Hongkong, we have already established firm and mutual-benefit business relationships with customers from,Europe,America and south Asia,supplying obsolete and hard-to-find components to meet their specific needs.

With the principle of “Quality Parts,Customers Priority,Honest Operation,and Considerate Service”,our business mainly focus on the distribution of electronic components. Line cards we deal with include Microchip,ALPS,ROHM,Xilinx,Pulse,ON,Everlight and Freescale. Main products comprise IC,Modules,Potentiometer,IC Socket,Relay,Connector.Our parts cover such applications as commercial,industrial, and automotives areas.

We are looking forward to setting up business relationship with you and hope to provide you with the best service and solution. Let us make a better world for our industry!



Contact us

Tel: +86-755-8981 8866 Fax: +86-755-8427 6832

Email & Skype: info@chipsmall.com Web: www.chipsmall.com

Address: A1208, Overseas Decoration Building, #122 Zhenhua RD., Futian, Shenzhen, China

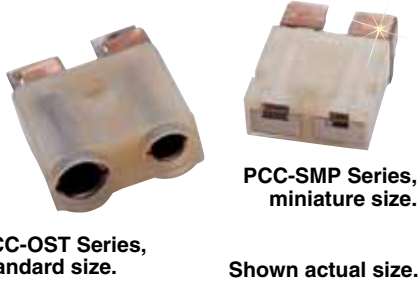


Circuit Board Thermocouple Connectors

Standard and Miniature Sizes; Type PCC

Glass-Filled Nylon 220°C (425°F)

Vertical Mount!

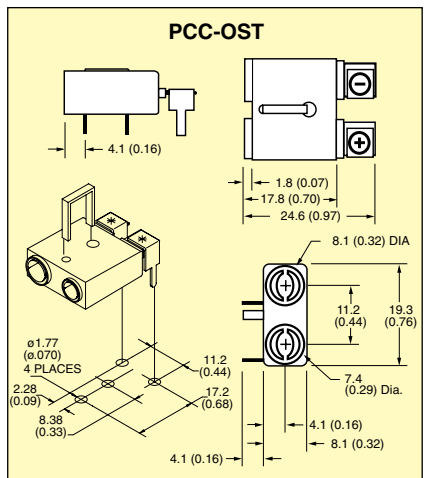
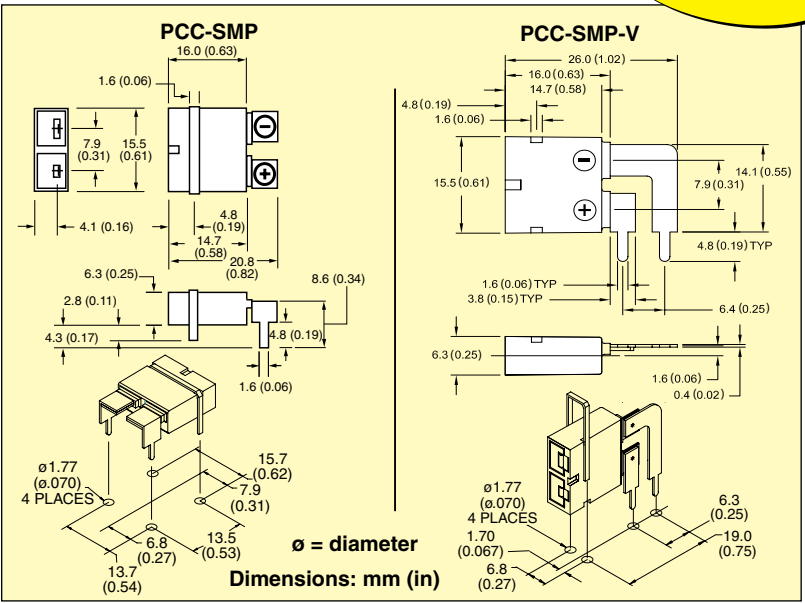


PCC-OST Series,
standard size.

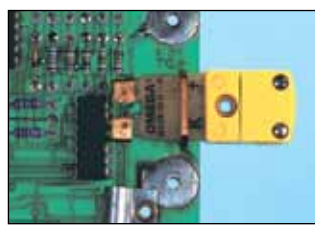
PCC-SMP Series,
miniature size.
Shown actual size.

- Attaches Directly to Circuit Board
- Perfect for Handheld Thermometers
- J, K, T, E, N and U Calibrations
- Custom Units Designed for CE
- Mounting Brackets Supplied with Each Connector

The PCC connector from NEWPORT is perfect for bringing thermocouple probes to printed circuit boards. Two sizes are available, to mate with either standard or miniature size connectors. The PCC is also available with an optional transistor retainer clip; the clip accepts TO-92 style transistors for cold junction temperature measurements at the transition from thermocouple alloy to copper wire.**



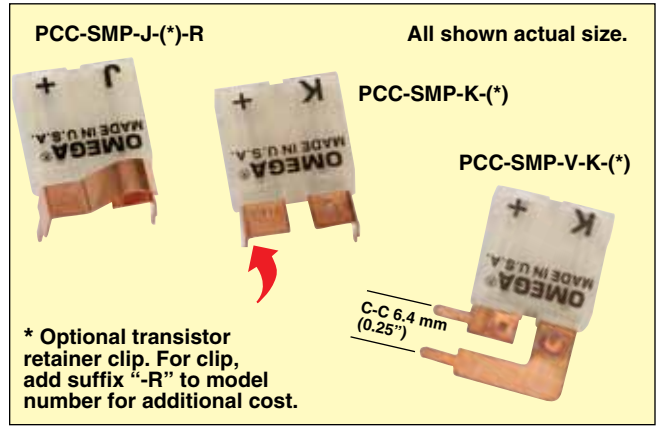
Discount Schedule	
1-10.....	Net
11-49.....	5%
50-99.....	10%
100-999.....	15%
1000-4999.....	20%
5000 and over.....	25%



Circuit board shown for reference only. Not included with connectors.

To Order Visit newportUS.com/PCC for Pricing and Details	
Model No.	Mating Connector
PCC-OST-(*)-(**) (per 100)	OST-standard size
PCC-SMP-(*)-5-(**)	SMP miniature size
PCC-SMP-(*)-50-(**)	
PCC-SMP-(*)-100-(**)	
PCC-SMP-V-(*)-5	SMP-miniature vertical mount
PCC-SMP-V-(*)-50	
PCC-SMP-V-(*)-100	

* Specify calibration: Type "J", "K", "T" or "E"; also "N" and "U" are available for PCC-SMP and PCC-SMP-V.
 Note: PCC-OST is available only in packages of 100.
 ** For optional transistor retainer clip, add suffix "-R" to model number and additional price to price of 100 units. Not available on vertical mount SMP miniature. For closed end (designed for CE) connectors add suffix "-CE" to model number and additional price for 100 units. "-CE" version is only available for PCC-SMP and PCC-SMP-V.
 Ordering Examples: PCC-SMP-K-100-R, circuit board thermocouple, miniature size, Type K calibration, with transistor retainer clips, package of 100.
 PCC-SMP-V-N-100, circuit board vertical mount thermocouple connector, miniature size, Type N calibration, package of 100.



Model No.	Description
PCC-OST-CLIP	Mounting bracket for PCC-OST
PCC-SMP-CLIP	Mounting bracket for PCC-SMP
PCC-SMP-V-CLIP	Mounting bracket for PCC-SMP-V