



Chipsmall Limited consists of a professional team with an average of over 10 year of expertise in the distribution of electronic components. Based in Hongkong, we have already established firm and mutual-benefit business relationships with customers from,Europe,America and south Asia,supplying obsolete and hard-to-find components to meet their specific needs.

With the principle of "Quality Parts,Customers Priority,Honest Operation,and Considerate Service",our business mainly focus on the distribution of electronic components. Line cards we deal with include Microchip,ALPS,ROHM,Xilinx,Pulse,ON,Everlight and Freescale. Main products comprise IC,Modules,Potentiometer,IC Socket,Relay,Connector.Our parts cover such applications as commercial,industrial, and automotives areas.

We are looking forward to setting up business relationship with you and hope to provide you with the best service and solution. Let us make a better world for our industry!



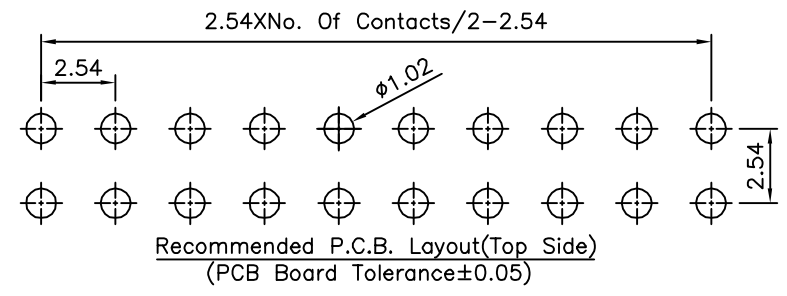
Contact us

Tel: +86-755-8981 8866 Fax: +86-755-8427 6832

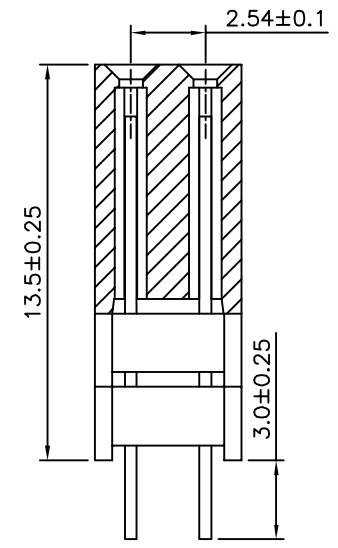
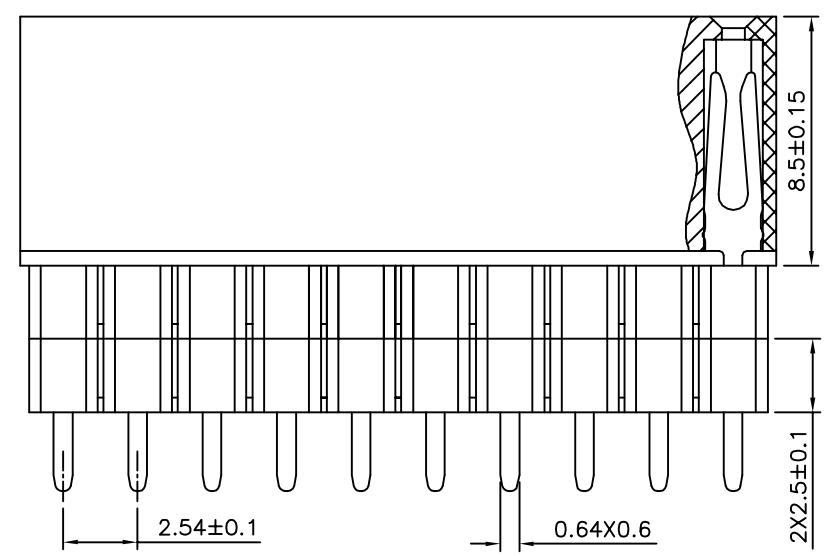
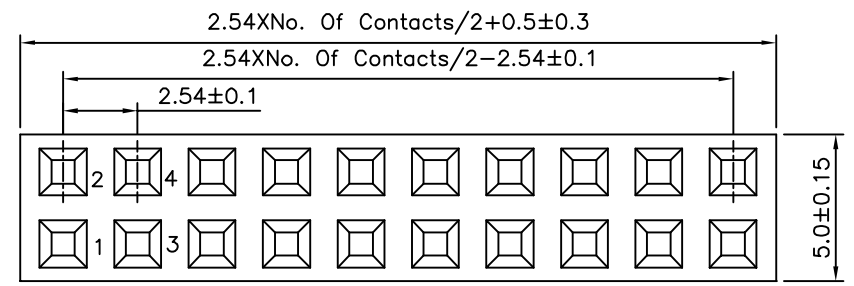
Email & Skype: info@chipsmall.com Web: www.chipsmall.com

Address: A1208, Overseas Decoration Building, #122 Zhenhua RD., Futian, Shenzhen, China





SPECIFICATION
 Current Rating: 3 Amps
 Withstanding Voltage: 1000V AC
 Contact Resistance: 20 Milliohms Max.
 Insulation Resistance: 1000 Megaohms Min.
 Operation Temperature: $-40^{\circ}\text{C} \sim +105^{\circ}\text{C}$
 Insulator: PBT (UL94V-0), Black
 Contact: Brass, Gold Flash Over Nickel
 RoHS Compliant



4UCON 元化興業股份有限公司
 4UCON TECHNOLOGY INC.

DRAWING No.		APPROVED BY		UNLESS OTHERWISE SPECIFIED	
12313		EMILY		TOLERANCES ARE	
		CHECKED BY		X. ± 0.25 X.* $\pm 2^{\circ}$	
		HZF		.X ± 0.20 .X* $\pm 1.5^{\circ}$	
		DRAWING BY		.XX ± 0.15 .XX* $\pm 1^{\circ}$	
		YBL		.XXX ± 0.10 .XXX* $\pm 0.5^{\circ}$	
SCALE	NONE	REV.	A0	UNIT	mm

NO.	REV.	REVISIONS	CHK	DATE
A0		NEW RELEASE	HZF	04/26/2013