



Chipsmall Limited consists of a professional team with an average of over 10 year of expertise in the distribution of electronic components. Based in Hongkong, we have already established firm and mutual-benefit business relationships with customers from,Europe,America and south Asia,supplying obsolete and hard-to-find components to meet their specific needs.

With the principle of “Quality Parts,Customers Priority,Honest Operation,and Considerate Service”,our business mainly focus on the distribution of electronic components. Line cards we deal with include Microchip,ALPS,ROHM,Xilinx,Pulse,ON,Everlight and Freescale. Main products comprise IC,Modules,Potentiometer,IC Socket,Relay,Connector.Our parts cover such applications as commercial,industrial, and automotives areas.

We are looking forward to setting up business relationship with you and hope to provide you with the best service and solution. Let us make a better world for our industry!



Contact us

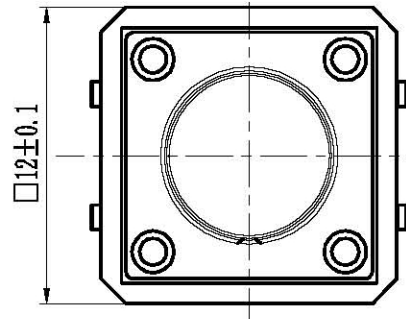
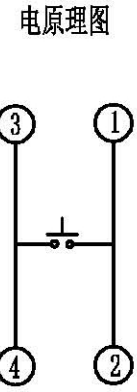
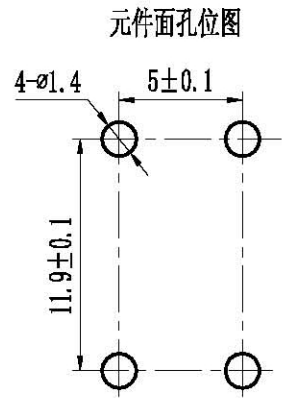
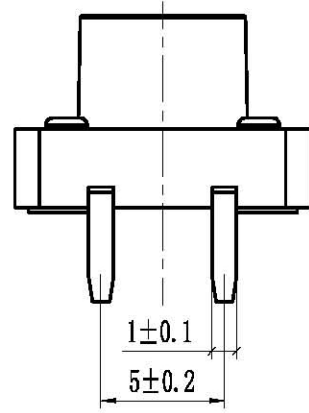
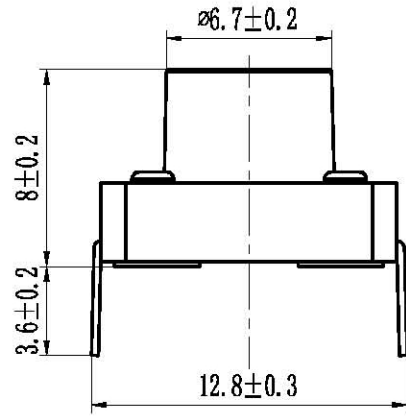
Tel: +86-755-8981 8866 Fax: +86-755-8427 6832

Email & Skype: info@chipsmall.com Web: www.chipsmall.com

Address: A1208, Overseas Decoration Building, #122 Zhenhua RD., Futian, Shenzhen, China



A
B
C
D
E
F
G
H
I
J



轻触开关主要技术指标: Main Specifications:

气候等级 Climate Grade	额定值 Rated Values	接触电阻 Contact Resistance	耐电压 Dielectric Strength	绝缘电阻 Insulation Resistance	动作力 Operating Force	寿命 Life	盐雾试验 Salt mist Test
-25℃ 至 +75℃	12V DC, 0.1A	≤0.03Ω	250V AC	≥100MΩ	260gf±50gf	10W times	24±1 hours.

5	——	塑座	PA66	1	黑色	
4	——	按钮	PC	1	红色	
3	——	铜盖	H62-Y1 t=0.25	1	CuSn	
2	——	弹片	复银 t=0.06	1	Ag	
1	——	卡件	H62-Y1 t=0.3	1	Ag	
序号	零件料号	名称	材料	数量	镀层/颜色	备注

轻触开关
外形图

						角度	±5°
						>30~	±0.45
						>10~30	±0.35
						~10	±0.25
变更单号	版本	日期	内容描述	变更	审核	批准	未注公差

设计	17.11.07	产品 型号	12×8H 复银260g10W红钮环保直脚四				
审核	17.11.07						
批准	17.11.07						
比例	3:1	单位	mm	页码	1 OF 1	A4	