



Chipsmall Limited consists of a professional team with an average of over 10 year of expertise in the distribution of electronic components. Based in Hongkong, we have already established firm and mutual-benefit business relationships with customers from,Europe,America and south Asia,supplying obsolete and hard-to-find components to meet their specific needs.

With the principle of “Quality Parts,Customers Priority,Honest Operation,and Considerate Service”,our business mainly focus on the distribution of electronic components. Line cards we deal with include Microchip,ALPS,ROHM,Xilinx,Pulse,ON,Everlight and Freescale. Main products comprise IC,Modules,Potentiometer,IC Socket,Relay,Connector.Our parts cover such applications as commercial,industrial, and automotives areas.

We are looking forward to setting up business relationship with you and hope to provide you with the best service and solution. Let us make a better world for our industry!



Contact us

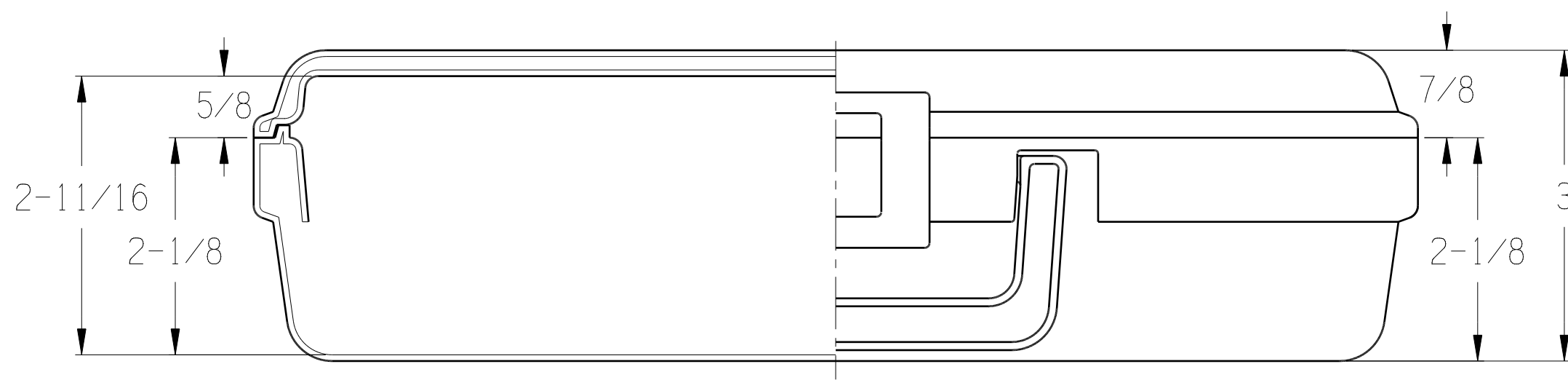
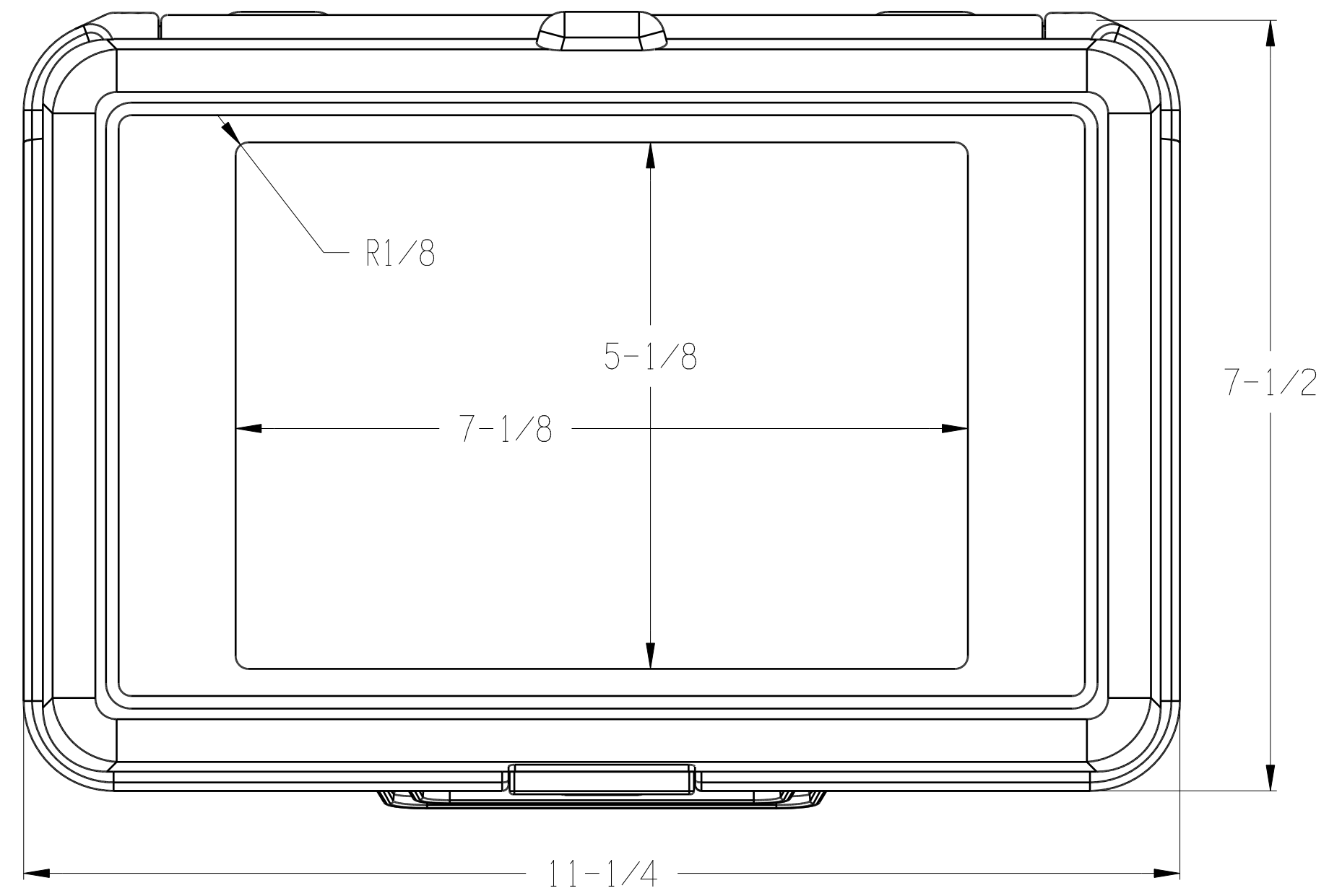
Tel: +86-755-8981 8866 Fax: +86-755-8427 6832

Email & Skype: info@chipsmall.com Web: www.chipsmall.com

Address: A1208, Overseas Decoration Building, #122 Zhenhua RD., Futian, Shenzhen, China




| | | | |
|-----|--|------|----------|
| REV | | DATE | APPROVED |
|-----|--|------|----------|



NOTE:
SECTIONS ARE REPRESENTATIVE OF
NOMINAL DIMENSIONS AND SHOULD
NOT BE USED FOR DESIGN PURPOSES.

THIS DOCUMENT IS THE PROPERTY OF THE PLASTIC FORMING CO., INC.
AND THE INFORMATION CONTAINED HEREIN IS CONSIDERED CONFIDENTIAL.
THIS DOCUMENT IS NOT TO BE USED, REPRODUCED, OR DISCLOSED IN WHOLE
OR IN PART WITHOUT THE WRITTEN PERMISSION OF THE PLASTIC FORMING CO., INC.

| | | | | | | | | | | | |
|-------------------|----------|-------------|---------|---|------|---------------------|--|-----|--|--|--|
| TOLERANCES U.O.S. | | SYM | | DESCRIPTION | | MATL | | REQ | | | |
| FRACTIONS: | ±1/16 | | |  THE PLASTIC FORMING CO. 20 SO. BRADLEY RD. WOODBRIDGE, CONN. 06525 Copyright © Rights Reserved | | | | | | | |
| X: | ±.025 | | | | | TITLE: | | | | | |
| XX: | ±.020 | | | | | 11-1/4 X 7-1/2 X 3" | | | | | |
| XXX: | ±.015 | | | SparkFun Electronics | | | | | | | |
| W.D. NO. | | | | W-Custom Label Recess | | | | | | | |
| DRAWN: AGA | Chd: PMP | SCALE: Full | Size: C | DATE: 06/20/2017 | REV: | | | | | | |
| DWG. NO. | | | | PRI. NO. 113-075-030-514 | | SHEET: 1 of 1 | | | | | |