



Chipsmall Limited consists of a professional team with an average of over 10 year of expertise in the distribution of electronic components. Based in Hongkong, we have already established firm and mutual-benefit business relationships with customers from,Europe,America and south Asia,supplying obsolete and hard-to-find components to meet their specific needs.

With the principle of “Quality Parts,Customers Priority,Honest Operation,and Considerate Service”,our business mainly focus on the distribution of electronic components. Line cards we deal with include Microchip,ALPS,ROHM,Xilinx,Pulse,ON,Everlight and Freescale. Main products comprise IC,Modules,Potentiometer,IC Socket,Relay,Connector.Our parts cover such applications as commercial,industrial, and automotives areas.

We are looking forward to setting up business relationship with you and hope to provide you with the best service and solution. Let us make a better world for our industry!



Contact us

Tel: +86-755-8981 8866 Fax: +86-755-8427 6832

Email & Skype: info@chipsmall.com Web: www.chipsmall.com

Address: A1208, Overseas Decoration Building, #122 Zhenhua RD., Futian, Shenzhen, China

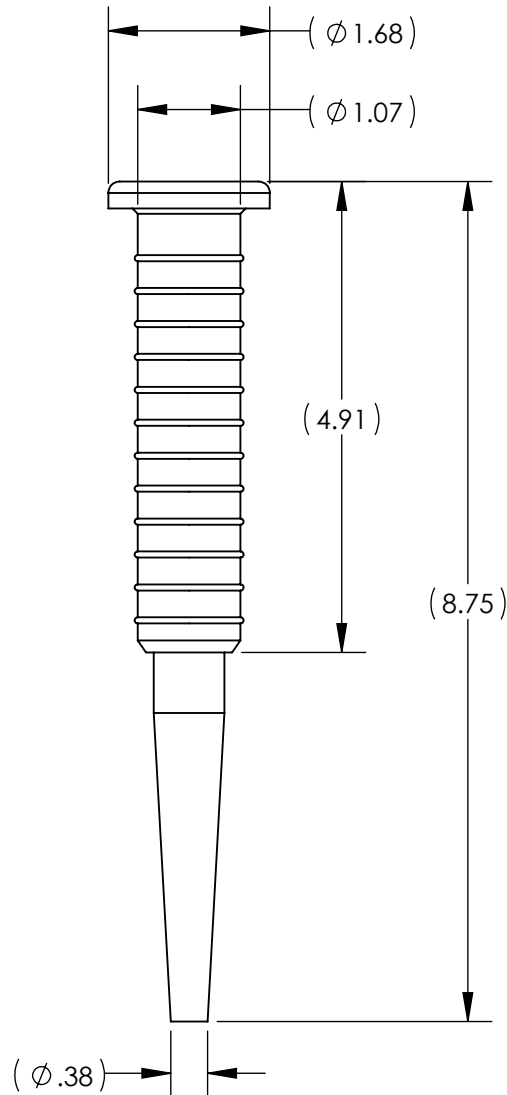


DIMENSIONS

name	date	city, state

NOTES

TO BE USED WITH PANEL RIVET - PR1



REVISION	D level	01
	by	AAC
	date	10/13/12
	ECN #	012203
	part level	

DIMENSIONS	TOOL PREPARATION	
	units	inches

PART	number	PRT1	phase	Production
	name			
	PANEL RIVET TOOL			
material		ABS - YELLOW		

DRAWING	format	AV	CAD	SW 2011	scale	1:2
	computer file number	MI3027002CST_01		previous number		
	d r a w n	AAC	KAC			
		10/13/12	10/15/12			
	type	Customer		sheet 1 of 1		
number	MI3027002CST					