



Chipsmall Limited consists of a professional team with an average of over 10 year of expertise in the distribution of electronic components. Based in Hongkong, we have already established firm and mutual-benefit business relationships with customers from,Europe,America and south Asia,supplying obsolete and hard-to-find components to meet their specific needs.

With the principle of “Quality Parts,Customers Priority,Honest Operation,and Considerate Service”,our business mainly focus on the distribution of electronic components. Line cards we deal with include Microchip,ALPS,ROHM,Xilinx,Pulse,ON,Everlight and Freescale. Main products comprise IC,Modules,Potentiometer,IC Socket,Relay,Connector.Our parts cover such applications as commercial,industrial, and automotives areas.

We are looking forward to setting up business relationship with you and hope to provide you with the best service and solution. Let us make a better world for our industry!



Contact us

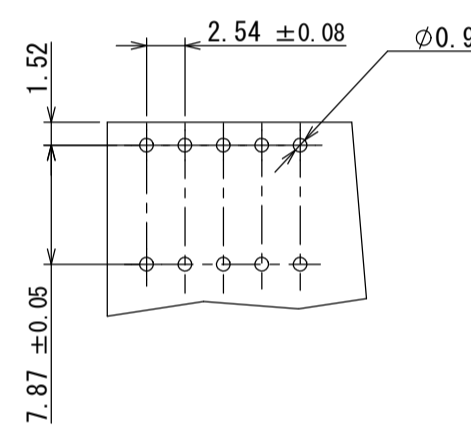
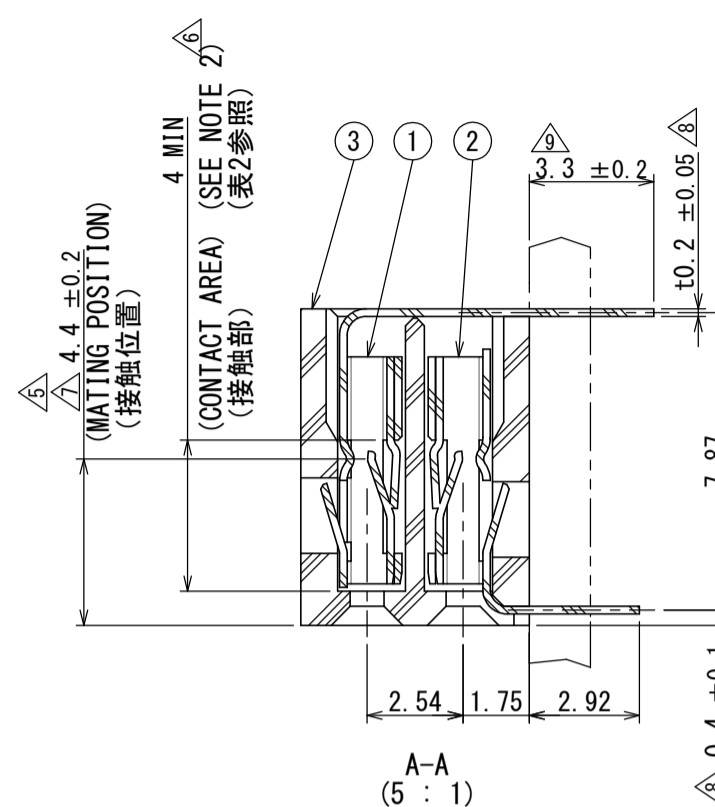
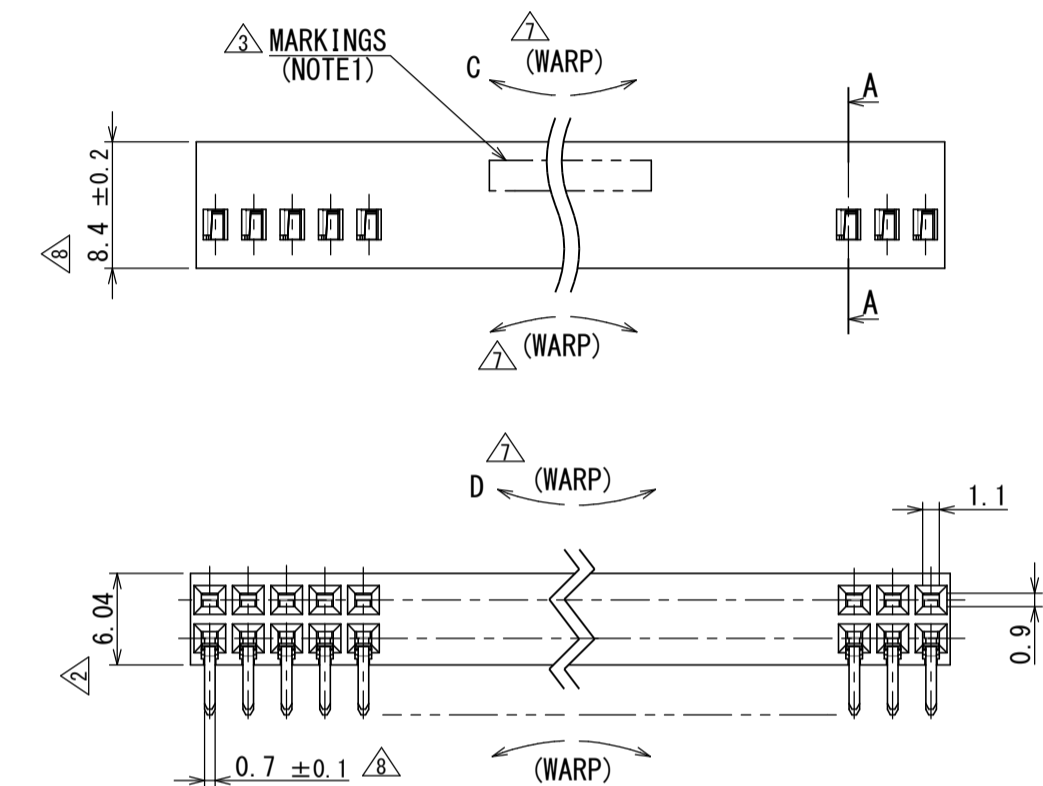
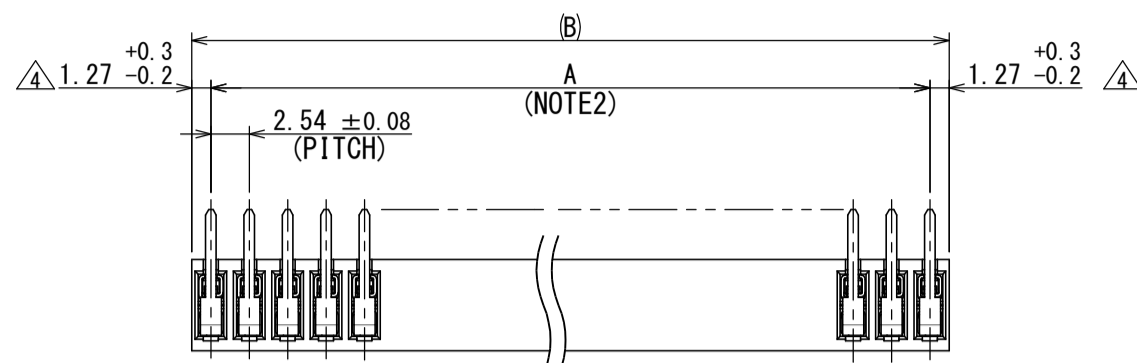
Tel: +86-755-8981 8866 Fax: +86-755-8427 6832

Email & Skype: info@chipsmall.com Web: www.chipsmall.com

Address: A1208, Overseas Decoration Building, #122 Zhenhua RD., Futian, Shenzhen, China



| 版数 VER. | 年月日 DATE | 図 NO. | 変更内容 DESCRIPTION | 製 DR. | 担 CHK. | 査 APPD. | 承 APPD. |
|------------|-------------|----------|----------------------------|-------------|-------------|-------------|------------|
| 11 | 28/MAR/1997 | 39708 | REDRAWN | J. ICHIYAMA | Y. YAHIRO | K. HISATOMI | H. YASUI |
| 12 | 05/DEC/1997 | 41112 | CHANGE NOTE1 | — | Y. YAHIRO | K. HISATOMI | H. YASUI |
| 13 | 25/JUL/2014 | 008360 | REDRAWN, CHANGE NOTE, ETC. | — | K. NAKAZAWA | — | T. KUDOU |



P.C.B. HOLE PATTERNS (REF.)
基板取付寸法 (参考)

TABLE 1. PART NO. AND CONTACTS DIMENSIONS

| PART NO. | NO. OF CONTACTS | A | B | PART NO. | NO. OF CONTACTS | A | B |
|----------------|-----------------|-------|-------|-----------------|-----------------|--------|--------|
| PS-2SD-D4T1-* | 2 | — | 2.54 | PS-68SD-D4T1-* | 68 | 83.82 | 86.36 |
| PS-4SD-D4T1-* | 4 | 2.54 | 5.08 | PS-70SD-D4T1-* | 70 | 86.36 | 88.90 |
| PS-6SD-D4T1-* | 6 | 5.08 | 7.62 | PS-72SD-D4T1-* | 72 | 88.90 | 91.44 |
| PS-8SD-D4T1-* | 8 | 7.62 | 10.16 | PS-74SD-D4T1-* | 74 | 91.44 | 93.98 |
| PS-10SD-D4T1-* | 10 | 10.16 | 12.70 | PS-76SD-D4T1-* | 76 | 93.98 | 96.52 |
| PS-12SD-D4T1-* | 12 | 12.70 | 15.24 | PS-78SD-D4T1-* | 78 | 96.52 | 99.06 |
| PS-14SD-D4T1-* | 14 | 15.24 | 17.78 | PS-80SD-D4T1-* | 80 | 99.06 | 101.60 |
| PS-16SD-D4T1-* | 16 | 17.78 | 20.32 | PS-82SD-D4T1-* | 82 | 101.60 | 104.14 |
| PS-18SD-D4T1-* | 18 | 20.32 | 22.86 | PS-84SD-D4T1-* | 84 | 104.14 | 106.68 |
| PS-20SD-D4T1-* | 20 | 22.86 | 25.40 | PS-86SD-D4T1-* | 86 | 106.68 | 109.22 |
| PS-22SD-D4T1-* | 22 | 25.40 | 27.94 | PS-88SD-D4T1-* | 88 | 109.22 | 111.76 |
| PS-24SD-D4T1-* | 24 | 27.94 | 30.48 | PS-90SD-D4T1-* | 90 | 111.76 | 114.30 |
| PS-26SD-D4T1-* | 26 | 30.48 | 33.02 | PS-92SD-D4T1-* | 92 | 114.30 | 116.84 |
| PS-28SD-D4T1-* | 28 | 33.02 | 35.56 | PS-94SD-D4T1-* | 94 | 116.84 | 119.38 |
| PS-30SD-D4T1-* | 30 | 35.56 | 38.10 | PS-96SD-D4T1-* | 96 | 119.38 | 121.92 |
| PS-32SD-D4T1-* | 32 | 38.10 | 40.64 | PS-98SD-D4T1-* | 98 | 121.92 | 124.46 |
| PS-34SD-D4T1-* | 34 | 40.64 | 43.18 | PS-100SD-D4T1-* | 100 | 124.46 | 127.00 |
| PS-36SD-D4T1-* | 36 | 43.18 | 45.72 | PS-102SD-D4T1-* | 102 | 127.00 | 129.54 |
| PS-38SD-D4T1-* | 38 | 45.72 | 48.26 | PS-104SD-D4T1-* | 104 | 129.54 | 132.08 |
| PS-40SD-D4T1-* | 40 | 48.26 | 50.80 | PS-106SD-D4T1-* | 106 | 132.08 | 134.62 |
| PS-42SD-D4T1-* | 42 | 50.80 | 53.34 | PS-108SD-D4T1-* | 108 | 134.62 | 137.16 |
| PS-44SD-D4T1-* | 44 | 53.34 | 55.88 | PS-110SD-D4T1-* | 110 | 137.16 | 139.70 |
| PS-46SD-D4T1-* | 46 | 55.88 | 58.42 | PS-112SD-D4T1-* | 112 | 139.70 | 142.24 |
| PS-48SD-D4T1-* | 48 | 58.42 | 60.96 | PS-114SD-D4T1-* | 114 | 142.24 | 144.78 |
| PS-50SD-D4T1-* | 50 | 60.96 | 63.50 | PS-116SD-D4T1-* | 116 | 144.78 | 147.32 |
| PS-52SD-D4T1-* | 52 | 63.50 | 66.04 | PS-118SD-D4T1-* | 118 | 147.32 | 149.86 |
| PS-54SD-D4T1-* | 54 | 66.04 | 68.58 | PS-120SD-D4T1-* | 120 | 149.86 | 152.40 |
| PS-56SD-D4T1-* | 56 | 68.58 | 71.12 | PS-122SD-D4T1-* | 122 | 152.40 | 154.94 |
| PS-58SD-D4T1-* | 58 | 71.12 | 73.66 | PS-124SD-D4T1-* | 124 | 154.94 | 157.48 |
| PS-60SD-D4T1-* | 60 | 73.66 | 76.20 | PS-126SD-D4T1-* | 126 | 157.48 | 160.02 |
| PS-62SD-D4T1-* | 62 | 76.20 | 78.74 | PS-128SD-D4T1-* | 128 | 160.02 | 162.56 |
| PS-64SD-D4T1-* | 64 | 78.74 | 81.28 | PS-130SD-D4T1-* | 130 | 162.56 | 165.10 |
| PS-66SD-D4T1-* | 66 | 81.28 | 83.82 | | | | |

TABLE 2. CONTACT FINISH

| FINISH | 1 | 2 | 3 |
|--------------|--|--|---|
| CONTACT AREA | GOLD (0.1 μm MIN.) OVER NICKEL (1.5 μm MIN.) | GOLD (0.3 μm MIN.) OVER NICKEL (1.5 μm MIN.) | GOLD (0.76 μm MIN.) OVER NICKEL (1.5 μm MIN.) |
| OTHERS | GOLD FLASH OVER NICKEL (1.5 μm MIN.) | GOLD FLASH OVER NICKEL (1.5 μm MIN.) | GOLD FLASH OVER NICKEL (1.5 μm MIN.) |

TABLE 3

| NO. OF CONTACTS 芯数 | MARKING 表示 |
|-----------------------|-----------------|
| 2~4 | NONE (表示なし) |
| 6~10 | JAE |
| 12~38 | JAE** |
| 40~130 | JAE PS-*** k※※※ |

(** : NO. OF CONTACTS)

TABLE 4

| NO. OF CONTACTS 芯数 | TOLERANCE 公差 |
|-----------------------|-----------------|
| 2~60 | ±0.15 MAX. |
| 62~130 | ±0.2 MAX. |

TABLE 5

| | NO. OF CONTACTS 芯数 | TOLERANCE 公差 |
|---------------|-----------------------|-----------------|
| C-WARP C反り | 2~60 | 0.1 MAX. |
| | 62~130 | 0.5 MAX. |
| D-WARP D反り | 2~60 | 0.15 MAX. |
| | 62~130 | 0.8 MAX. |

DESIGNATION
命名法

PS-***SD-D4T1-*

CONTACT FINISH (SEE TABLE 2)
仕上げ (表2参照)

TERMINAL LENGTH (t1.6~2 PC BOARD)
結線部長さ (t1.6~2用)

TERMINATION (T: THROUGH HOLE TYPE)
ターミネーション (T: スルーホール)

CONTACT ROW AND PITCH (D: DOUBLE ROWS, 4: 2.54 PITCH)
2列 2.54ピッチ

CONTACT DESIGN
接触部構造

SOCKET SIDE
ソケット側

NO. OF CONTACTS (SEE TABLE 1)
芯数 (表1参照)

SERIES
シリーズ名

NOTE 1. COMPANY LOGO "JAE", PART NUMBER AND PRODUCTION LOT NUMBER AS INDICATED. (SEE TABLE 3)

NOTE 2. PART NUMBER INDICATION IS TWO TYPES, WHICH IS MARKED WITH LASER AND RAISED LETTERS.

NOTE 3. TOLERANCE OF DIMENSION A. (SEE TABLE 4)

NOTE 4. WARP. (SEE TABLE 5)

注1. 品名表示
図示の位置に社標、品名及び生産ロット番号を表示する。(表3参照)
注2. 品名表示は、レーザー刻印と浮き出し文字の2種類があります。
注3. A寸法公差。(表4参照)
注4. 反り寸法。(表5参照)

PRODUCTION LOT NUMBER
生産ロット番号

k※※※
LOT NUMBER OF CURRENT MONTH
月の生産ロット番号
MONTH (1~9, OCT:0, NOV:X, DEC:Y)
月表示 (1~9, 10月:0, 11月:X, 12月:Y)
YEAR (LAST DIGIT ONLY)
年表示 (西暦末尾)

MANUFACTURING DEPARTMENT CODE
製造部門コード

| | | | | | |
|---|---------------|-------------|--------------|-------------|-------------------------|
| 3 | INSULATOR | 1 | PBT | NONE | UL94 V-0 (COLOR: BLACK) |
| 2 | LOWER CONTACT | SEE TABLE 1 | COPPER ALLOY | SEE TABLE 2 | - |
| 1 | UPPER CONTACT | SEE TABLE 1 | COPPER ALLOY | SEE TABLE 2 | - |

| 符号 NO. | 名称 DESCRIPTION | 個数 QTY. | 材料 MATERIAL | 仕上 FINISH | 備考 REMARKS |
|----------------------------------|-------------------|------------------------------------|----------------|---|---------------|
| 仕様書 (SPECIFICATION) JACS-1133 | | 第1版 (ORIGINAL DATE) 10/JUL/1973 | | 尺度 (SCALE) 2:1 | |
| 一般公差 (GENERAL TOLERANCE) | | 製図 DR. | | シリーズ (SERIES) JAE-PS | |
| 寸法 (DIMENSION) | | 担当 CHK. | | 名称 (TITLE) PS-***SD-D4T1-* RECEPTACLE | |
| 角度 (ANGLES) | | 査閲 APPD. | | 製図番号 (DRAWING NO.) SJ013740 | |
| 単位 (UNIT): mm | | 承認 APPD. | | 版数 (VER.) 13 | |