



Chipsmall Limited consists of a professional team with an average of over 10 year of expertise in the distribution of electronic components. Based in Hongkong, we have already established firm and mutual-benefit business relationships with customers from,Europe,America and south Asia,supplying obsolete and hard-to-find components to meet their specific needs.

With the principle of “Quality Parts,Customers Priority,Honest Operation,and Considerate Service”,our business mainly focus on the distribution of electronic components. Line cards we deal with include Microchip,ALPS,ROHM,Xilinx,Pulse,ON,Everlight and Freescale. Main products comprise IC,Modules,Potentiometer,IC Socket,Relay,Connector.Our parts cover such applications as commercial,industrial, and automotives areas.

We are looking forward to setting up business relationship with you and hope to provide you with the best service and solution. Let us make a better world for our industry!



## Contact us

Tel: +86-755-8981 8866 Fax: +86-755-8427 6832

Email & Skype: info@chipsmall.com Web: www.chipsmall.com

Address: A1208, Overseas Decoration Building, #122 Zhenhua RD., Futian, Shenzhen, China





PART NAME

MICRO-COMPUTER ENCLOSURE

PART No.

PS-11594

REV. DATE

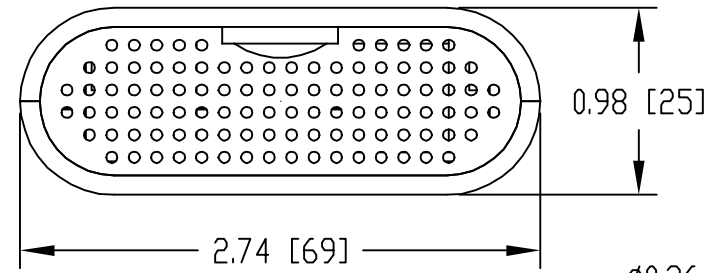
3-12-18

DRAWING FOR REFERENCE  
WE RESERVE THE RIGHT TO MAKE CHANGES TO OUR  
STANDARD PRODUCTS. PLEASE CONSULT WITH BUD INDUSTRIES  
PRIOR TO USING THIS DRAWING FOR DESIGN PURPOSE.

DESIGNED TO ACCEPT VERSION 2&3 OF  
RASPBERRY PI MICRO-COMPUTER

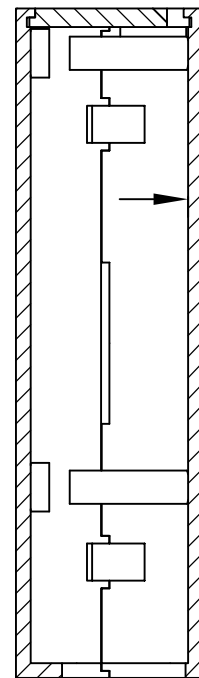
MATERIAL:  
BASE, COVER & BACK PANEL -  
ABS UL94-HB  
WHITE (PART NO. SUFFIX -W)  
BLACK (PART NO. SUFFIX -B)  
CLEAR (PART NO. SUFFIX -C)

SUPPLIED WITH FOUR M2x0.4 x 8mm LG.  
PAN HD. SCREWS FOR ASSEMBLING  
THE COVER TO THE BASE



Ø0.26 [Ø6] BOSS (4X)

Ø0.10 [Ø3] HOLE (4X)

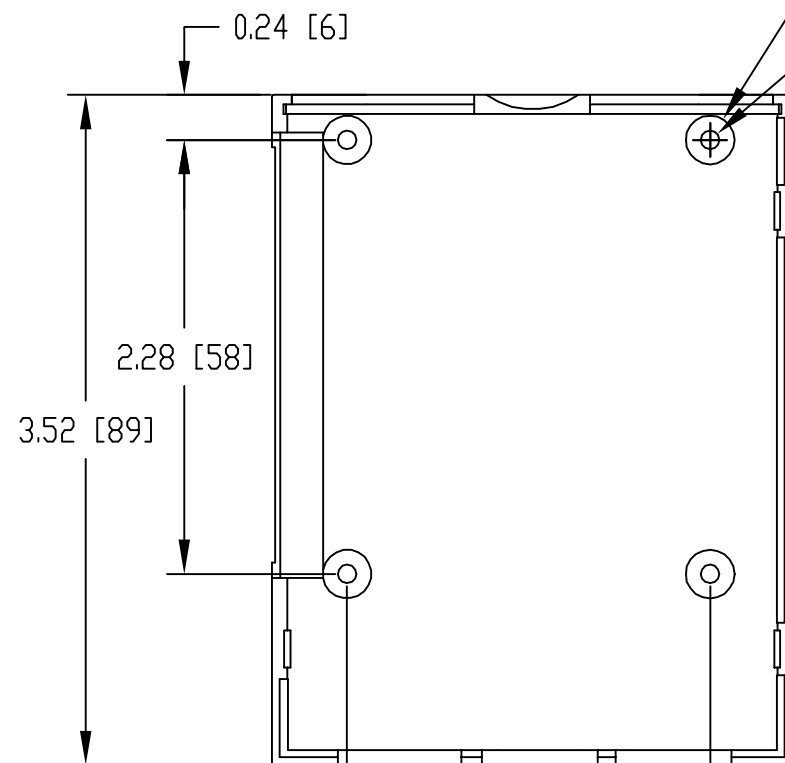


0.08 [2]

Ø0.26 [Ø6]

0.49 [12]

0.98 [25]

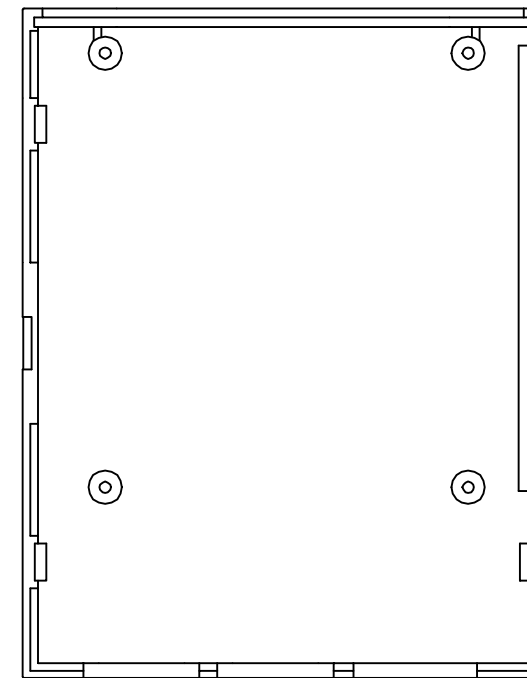


3.52 [89]

2.28 [58]

0.24 [6]

INSIDE BASE



INSIDE COVER

