



Chipsmall Limited consists of a professional team with an average of over 10 year of expertise in the distribution of electronic components. Based in Hongkong, we have already established firm and mutual-benefit business relationships with customers from,Europe,America and south Asia,supplying obsolete and hard-to-find components to meet their specific needs.

With the principle of “Quality Parts,Customers Priority,Honest Operation,and Considerate Service”,our business mainly focus on the distribution of electronic components. Line cards we deal with include Microchip,ALPS,ROHM,Xilinx,Pulse,ON,Everlight and Freescale. Main products comprise IC,Modules,Potentiometer,IC Socket,Relay,Connector.Our parts cover such applications as commercial,industrial, and automotives areas.

We are looking forward to setting up business relationship with you and hope to provide you with the best service and solution. Let us make a better world for our industry!



## Contact us

Tel: +86-755-8981 8866 Fax: +86-755-8427 6832

Email & Skype: info@chipsmall.com Web: www.chipsmall.com

Address: A1208, Overseas Decoration Building, #122 Zhenhua RD., Futian, Shenzhen, China



# PS-12G Series Pushbutton Switches



A

Pushbutton

## Features/Benefits

- Latching pushbutton
- Non-shorting with lock
- 5 mm travel
- SPDT

## Typical Applications

- Automotive interior lighting
- Computer peripherals
- Appliances



PART NUMBER	PACKAGING	SCHEMATIC
<b>PS-12G01</b>	200 pieces	

## Dimensions

FOOTPRINT: 14 X 16.8 mm

HEIGHT: 18 mm

## Specifications

CONTACT RATING: 1A @ 14 VDC

INITIAL CONTACT RESISTANCE: 100 m ohms max.

INSULATION RESISTANCE: 100 M ohms min.

DIELECTRIC STRENGTH: 500 V AC (50-60 Hz) between open terminals and between the frame and terminal.

OPERATING LIFE: 20,000 cycles with load

OPERATING FORCE: 400 ± 100 gf

OPERATING POSITION: 3.6 ± 0.2 mm

TOTAL TRAVEL: 5 ± 0.3 mm

OPERATING TEMPERATURE: -20°C to 70°C

## Materials

KNOB: POM (UL 94HB)

HOUSING: PBT (UL 94V-0)

COVER: PBT (UL 94V-0)

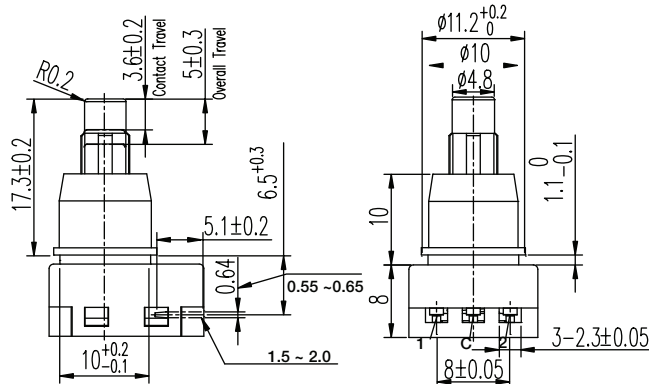
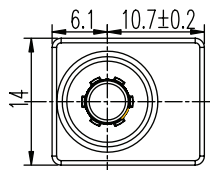
ROTOR: PBT (UL 94V-0)

SLIDER: POM (UL 94HB)

TERMINAL: Phosphor bronze, silver plated

SPRING: Stainless steel

CONTACT: Phosphor bronze, silver plated





# PS-12G Series Pushbutton Switches

Pushbutton  
A



PART NUMBER	PACKAGING	SCHEMATIC
<b>PS-12G03</b>	200 pieces	

## Dimensions

FOOTPRINT: 14 X 16.8 mm

HEIGHT: 18.3 mm

## Specifications

CONTACT RATING: 2.2A @ 14.5 VDC

INITIAL CONTACT RESISTANCE: 50 m ohms max.

INSULATION RESISTANCE: 100 M ohms min.

DIELECTRIC STRENGTH: 500 V AC (50-60 Hz) between open terminals and between the frame and terminal.

OPERATING LIFE: 20,000 cycles with load

OPERATING FORCE: 650 ± 300 gf

OPERATING POSITION: 4.00 ± 0.2 mm

TOTAL TRAVEL: 4.5 ± 0.3 mm

OPERATING TEMPERATURE: -40°C to 85°C

## Materials

KNOB: POM (UL 94HB)

HOUSING: PBT & PA (UL 94V-0)

COVER: PBT (UL 94V-0)

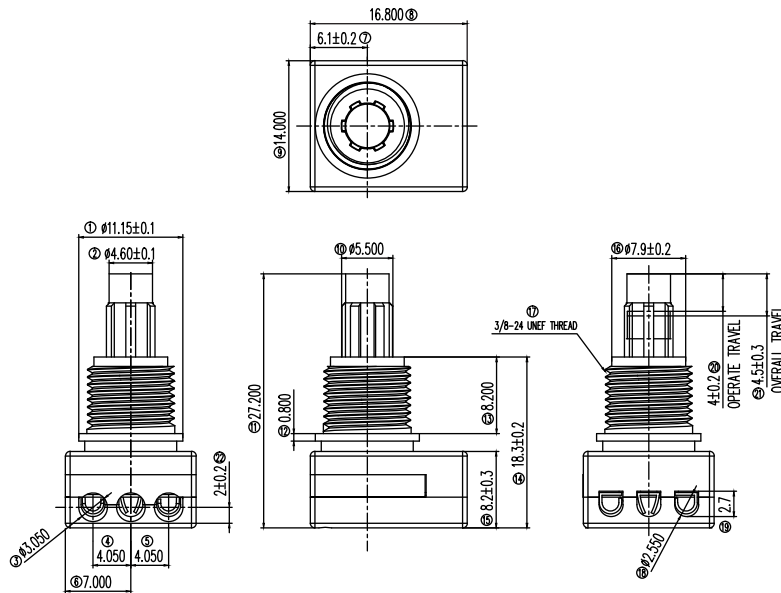
ROTOR: PBT (UL 94V-0)

SLIDER: POM (UL 94HB)

TERMINAL: Brass, silver plated

SPRING: Stainless steel

CONTACT: Phosphor bronze, silver plated



TYCO .062 Commercial Pin  
and Socket Connector  
PT# 770983-1



Dimensions are shown: mm  
Specifications and dimensions subject to change

# PS-22 Series Subminiature Pushbutton Switches



A

Pushbutton

## Features/Benefits

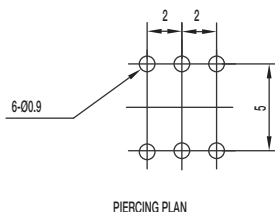
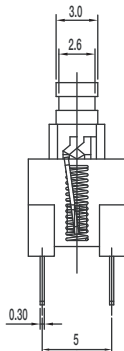
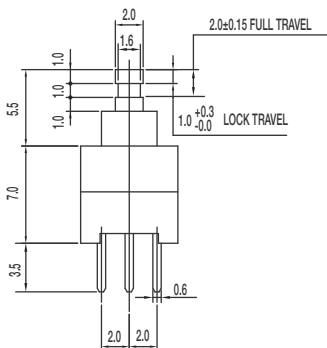
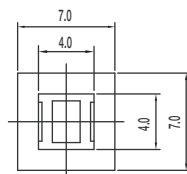
- Compact miniature push switch
- Momentary or latching options
- Shorting or non-shorting
- DPDT

## Typical Applications

- Industrial
- Automotive
- Audio and visual equipment



PART NUMBER	PACKAGING	SCHEMATIC
<b>PS-2203-L NS PA</b>	1,000 pieces	
<b>PS-2203-F NS PA</b>	1,000 pieces	



## Dimensions

FOOTPRINT: 7.0 x 7.0 mm

HEIGHT: 12.5 mm

## Specifications

CONTACT RATING: 0.1A @ 30 VDC

INITIAL CONTACT RESISTANCE: 30 m ohms max.

INSULATION RESISTANCE: 100 M ohms min.

DIELECTRIC STRENGTH: 500 V AC (50-60 Hz) between open terminals and between the frame and terminal.

OPERATING LIFE: 10,000 cycles with load

OPERATING FORCE:

200 ± 100 gf (1.96 ± 0.98N)

LOCK TRAVEL: 1 mm

TOTAL TRAVEL: 2 mm

OPERATING TEMPERATURE: -20°C to 70°C

## Materials

KNOB: POM Black

HOUSING: PA Black

COVER: POM Grey (latch) / White (Mom)

TERMINAL: Brass, silver plated

CONTACT CLIP: Phosphor bronze, silver plated

SPRING: Stainless steel

HOOK LOCK: Stainless steel (latch)



# PS-22 Series Subminiature Pushbutton Switches

Pushbutton  
A



PART NUMBER	PACKAGING	SCHEMATIC
<b>PS-2206-L NS PA</b>	1,000 pieces	
<b>PS-2206-F NS PA</b>	1,000 pieces	

## Dimensions

FOOTPRINT: 8.0 x 8.0 mm

HEIGHT: 13.5 mm

## Specifications

CONTACT RATING: 0.1A @ 30 VDC

INITIAL CONTACT RESISTANCE: 70 m ohms max.

INSULATION RESISTANCE: 100 M ohms min.

DIELECTRIC STRENGTH: 500 V AC (50-60 Hz) between open terminals and between the frame and terminal.

OPERATING LIFE: 10,000 cycles with load

OPERATING FORCE:  
200 ± 100 gf (1.96 ± 0.98N)

LOCK TRAVEL: 1.5 mm

TOTAL TRAVEL: 2.5 mm

OPERATING TEMPERATURE: -20°C to 70°C

## Materials

KNOB: POM Black

HOUSING: PA Black

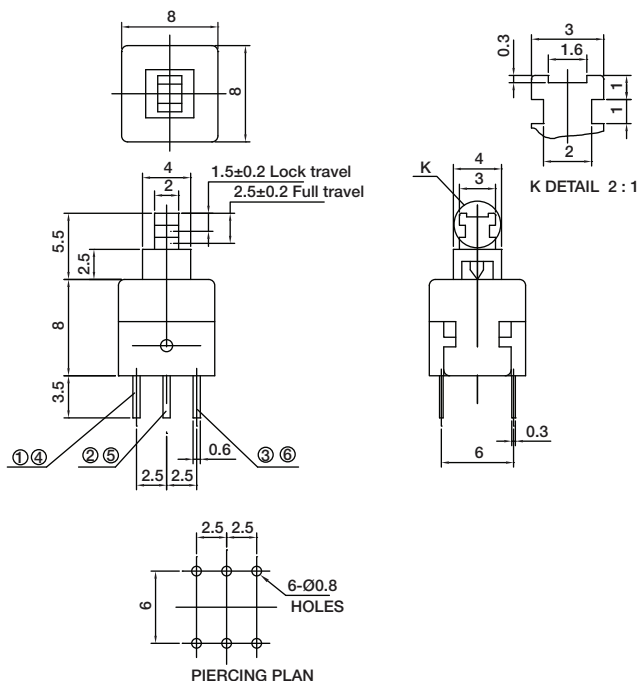
COVER: POM Grey (latch) / White (Mom)

TERMINAL: Brass, silver plated

CONTACT CLIP: Phosphor bronze., silver plated

SPRING: Stainless steel

HOOK LOCK: Stainless steel (latch)



PART NUMBER	PACKAGING	SCHEMATIC
<b>PS-2214-L NS PA</b>	1,000 pieces	
<b>PS-2214-F NS PA</b>	1,000 pieces	

## Dimensions

FOOTPRINT: 5.8 x 5.8 mm

HEIGHT: 7.5 mm

## Specifications

CONTACT RATING: 0.1A @ 30 VDC

INITIAL CONTACT RESISTANCE: 80 m ohms max.

INSULATION RESISTANCE: 100 M ohms min.

DIELECTRIC STRENGTH: 500 V AC (50-60 Hz) between open terminals and between the frame and terminal.

OPERATING LIFE: 10,000 cycles with load

OPERATING FORCE:  
150 ± 50 gf (1.47 ± 0.49N)

LOCK TRAVEL: 1.45 mm

TOTAL TRAVEL: 2.3 mm

OPERATING TEMPERATURE: -20°C to 70°C

## Materials

KNOB: POM Natural (latch) / PA black

HOUSING: PA Black

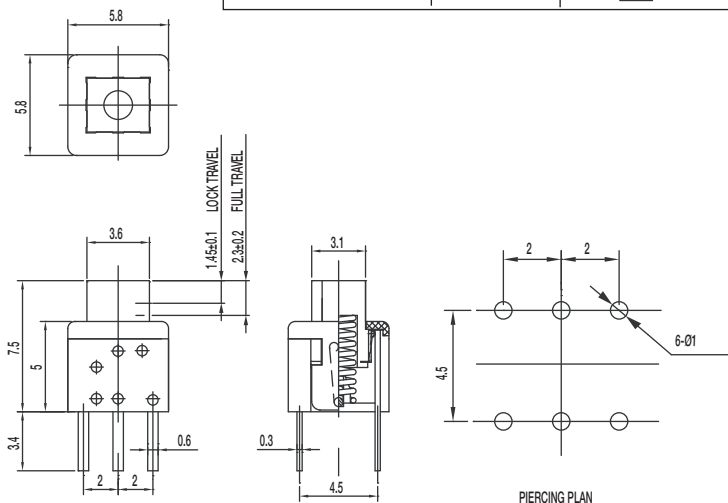
COVER: PA Black

TERMINAL: Brass, silver plated

CONTACT CLIP: Phosphor bronze, silver clad

SPRING: Stainless steel

HOOK LOCK: Stainless steel (latch)



*Dimensions are shown: mm  
Specifications and dimensions subject to change*

# PS-22 Series Subminiature Pushbutton Switches



A

Pushbutton



PART NUMBER	PACKAGING	SCHEMATIC
<b>PS-221605-L NS</b>	1,000 pieces	
<b>PS-221605-F NS</b>	1,000 pieces	

## Dimensions

FOOTPRINT: 5.8 x 5.8 mm

HEIGHT: 10 mm

## Specifications

CONTACT RATING: 0.1A @ 30 VDC / 2A @ 2 VDC

INITIAL CONTACT RESISTANCE: 80 m ohms max.

INSULATION RESISTANCE: 100 M ohms min.

DIELECTRIC STRENGTH: 500 V AC (50-60 Hz) between open terminals and between the frame and terminal.

OPERATING LIFE: 10,000 cycles with load

OPERATING FORCE:

150 ± 50 gf (1.47 ± 0.49N)

LOCK TRAVEL: 1.3 mm

TOTAL TRAVEL: 2.1 mm

OPERATING TEMPERATURE: -20°C to 70°C

## Materials

KNOB: POM Natural

HOUSING: PA Black

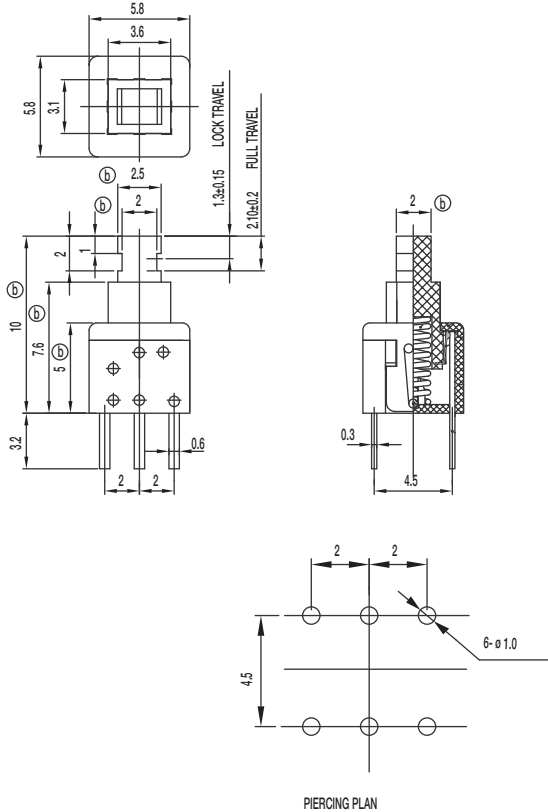
COVER: PC Grey

TERMINAL: Bras, silver plated

CONTACT CLIP: Phosphor bronze, silver clad

SPRING: Stainless steel

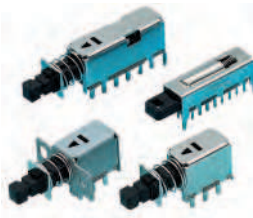
HOOK LOCK: Stainless steel (latch)





# PS Series Miniature Pushbutton Switches

Pushbutton  
A



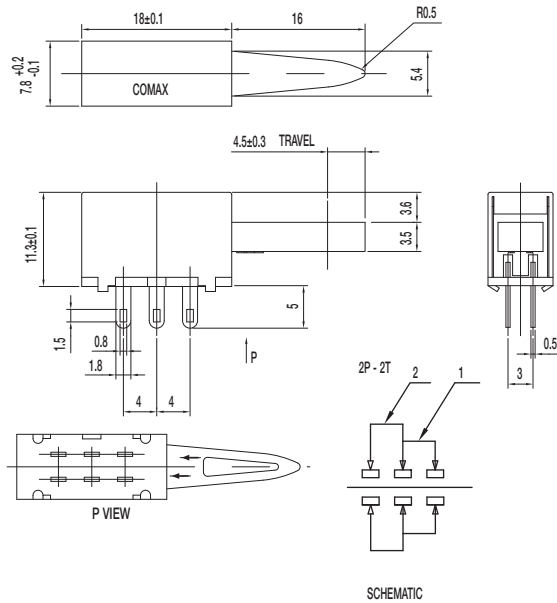
## Features/Benefits

- **Miniature size**
- **Momentary or latching options**
- **Broad range of products**

## Typical Applications

- **Industrial**
- **Automotive**
- **Audio and visual equipment**
- **Telecommunications**

### PS-22105 DPDT NON-SHORTING



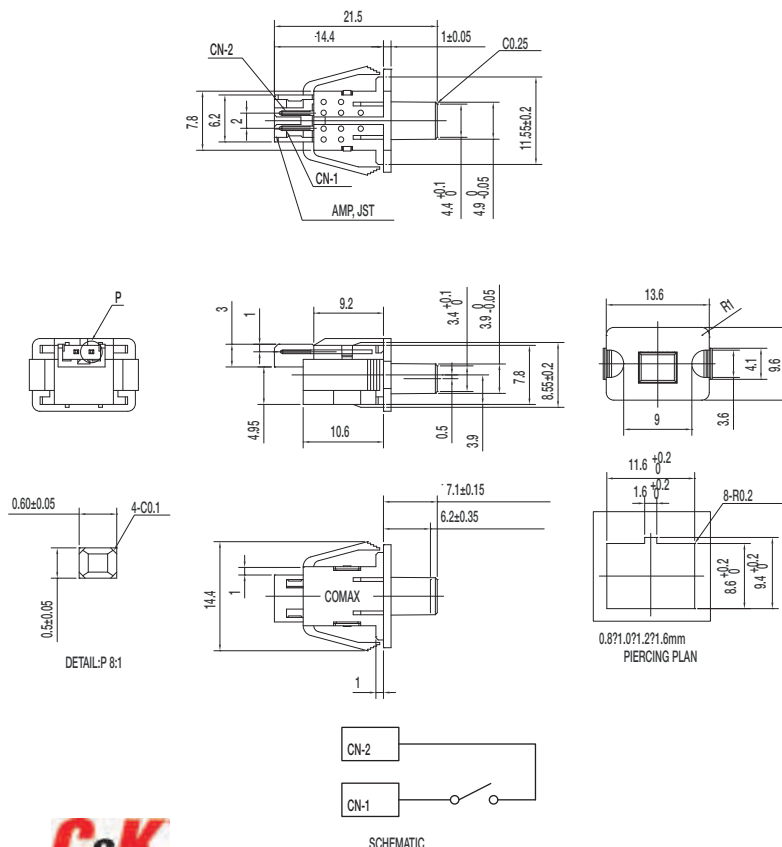
## Specifications

CONTACT RATING: 0.3A @ 30 VDC  
 INITIAL CONTACT RESISTANCE: 30 m ohms max.  
 INSULATION RESISTANCE: 100 M ohms min.  
 DIELECTRIC STRENGTH: 500 V AC (50-60 Hz) between open terminals and between the frame and terminal.  
 OPERATING LIFE: 10,000 cycles with load  
 OPERATING FORCE: 400 ± 150 gf (3.92 ± 1.47N)  
 TOTAL TRAVEL: 4.5 ± 0.3 mm  
 OPERATING TEMPERATURE: -20°C to 70°C

## Materials

FRAME: SECC  
 KNOB: POM (UL 94HB)  
 CONTACT PLATE: Silver clad  
 SPRING: SUS  
 TERMINAL: Silver plated

### PS-12C02-F NS SPST NON-SHORTING



## Specifications

CONTACT RATING: 100 μ A @ 3 VDC min. / 10mA @ 5 VDC max  
 INITIAL CONTACT RESISTANCE: 100 m ohms max.  
 INSULATION RESISTANCE: 100 M ohms min.  
 DIELECTRIC STRENGTH: 250 V AC (50-60 Hz) between open terminals and between the frame and terminal.  
 OPERATING LIFE: 100,000 cycles with load  
 OPERATING FORCE: 50 ± 15 gf (0.49 ± 0.147N)  
 PRE-TRAVEL: 6.20 ± 0.35 mm  
 OPERATING TEMPERATURE: -40°C to 85°C

## Materials

KNOB: POM (UL 94HB)  
 COVER: PA (UL 94V-0)  
 HOUSING: PA (UL 94V-0)  
 SPRING: SUS  
 TERMINAL: Silver plated



Dimensions are shown: mm  
 Specifications and dimensions subject to change

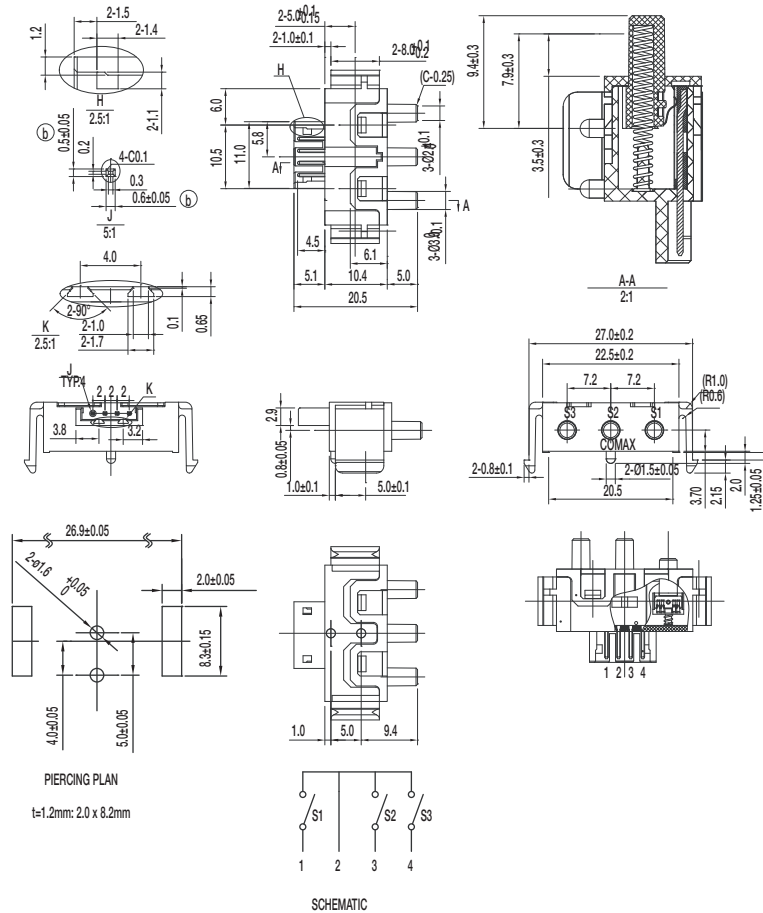
# PS Series Miniature Pushbutton Switches



A

Pushbutton

## PS-32C02-F NS 1P3T NON-SHORTING



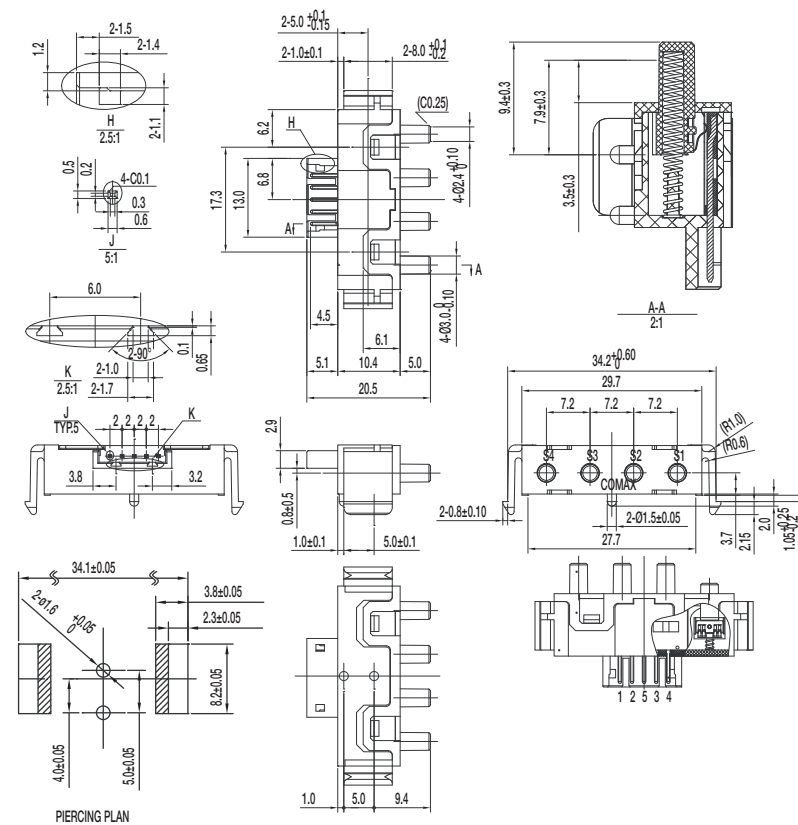
### Specifications

- CONTACT RATING: 100  $\mu$  A @ 3 VDC min. / 10mA @ 5 VDC max
- INITIAL CONTACT RESISTANCE: 100 m ohms max.
- INSULATION RESISTANCE: 100 M ohms min.
- DIELECTRIC STRENGTH: 250 V AC (50-60 Hz) between open terminals and between the frame and terminal.
- OPERATING LIFE: 100,000 cycles with load
- OPERATING FORCE: 80  $\pm$  20 gf (0.784  $\pm$  0.196N)
- PRE-TRAVEL: 1.5  $\pm$  0.3 mm
- OVER-TRAVEL: 3.5  $\pm$  0.3 mm
- TOTAL TRAVEL: 5  $\pm$  0.3 mm
- OPERATING TEMPERATURE: -20°C to 65°C

### Materials

- KNOB: POM (UL 94HB)
- COVER: PA (UL 94V-0)
- HOUSING: PA (UL 94V-0)
- SPRING: SUS
- TERMINAL: Silver plated

## PS-42C02-F NS 1P4T NON-SHORTING



### Specifications

- CONTACT RATING: 100  $\mu$  A @ 3 VDC min. / 10mA @ 5 VDC max
- INITIAL CONTACT RESISTANCE: 100 m ohms max.
- INSULATION RESISTANCE: 100 M ohms min.
- DIELECTRIC STRENGTH: 250 V AC (50-60 Hz) between open terminals and between the frame and terminal.
- OPERATING LIFE: 100,000 cycles with load
- OPERATING FORCE: 80  $\pm$  20 gf (0.784  $\pm$  0.196N)
- PRE-TRAVEL: 1.5  $\pm$  0.3 mm
- OVER-TRAVEL: 3.5  $\pm$  0.3 mm
- TOTAL TRAVEL: 5  $\pm$  0.3 mm
- OPERATING TEMPERATURE: -20°C to 65°C

### Materials

- KNOB: POM (UL 94HB)
- COVER: PA (UL 94V-0)
- HOUSING: PA (UL 94V-0)
- SPRING: SUS
- TERMINAL: Silver plated

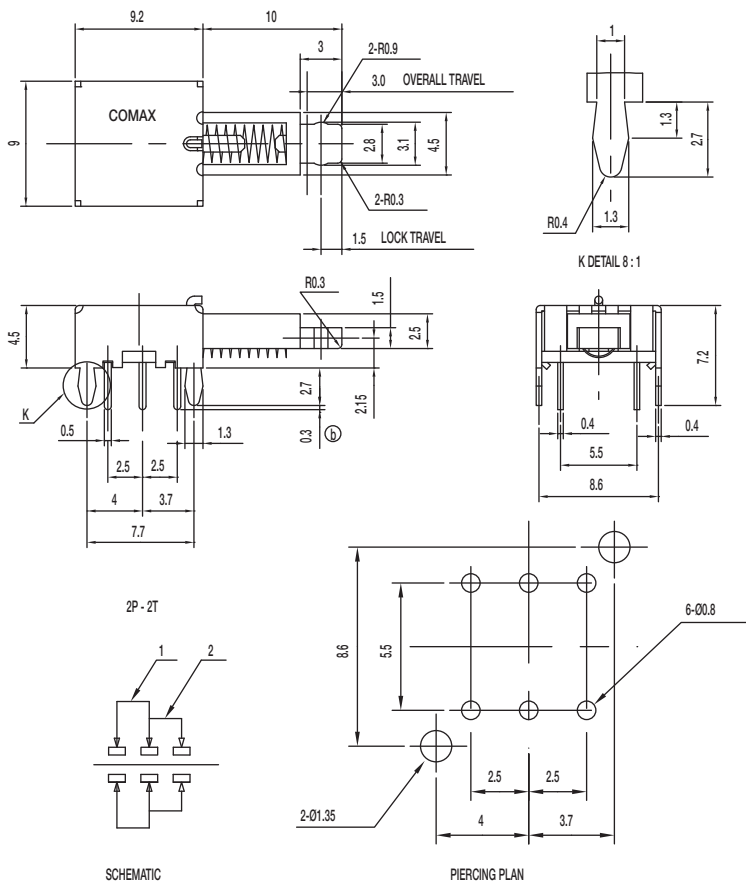
Dimensions are shown: mm  
Specifications and dimensions subject to change



# PS Series Miniature Pushbutton Switches

Pushbutton A

## PS-22C08-G10 NS DPDT NON-SHORTING



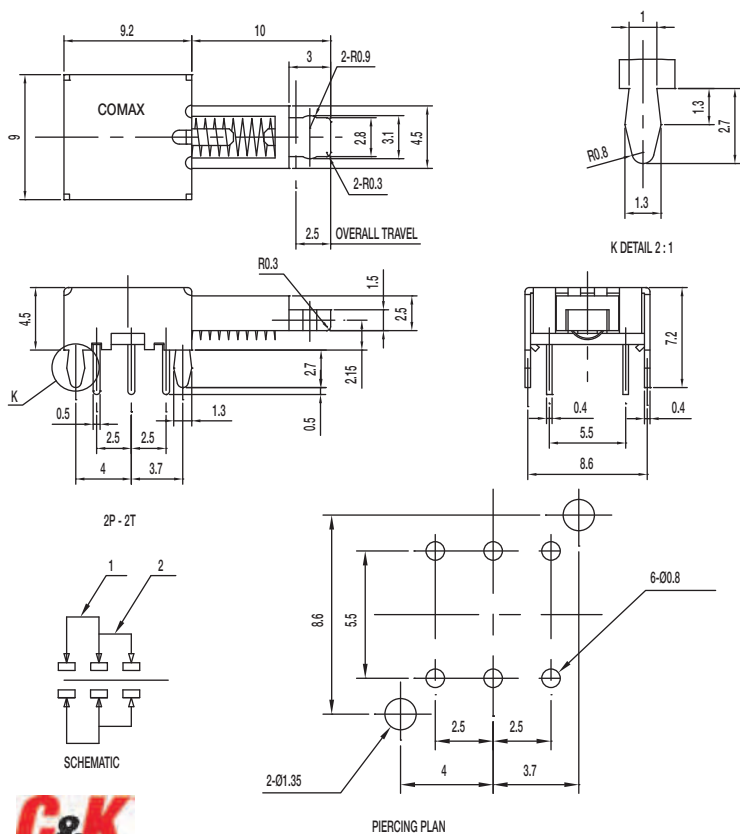
### Specifications

CONTACT RATING: 0.3A @ 30 VDC  
 INITIAL CONTACT RESISTANCE: 30 m ohms max.  
 INSULATION RESISTANCE: 100 M ohms min.  
 DIELECTRIC STRENGTH: 500 V AC (50-60 Hz) between open terminals and between the frame and terminal.  
 OPERATING LIFE: 10,000 cycles without load  
 OPERATING FORCE: 200 ± 100 gf (1.96 ± 0.98N)  
 LOCK TRAVEL: 1.5 ± 0.3 mm  
 OVER-TRAVEL: 3 ± 0.3 mm  
 OPERATING TEMPERATURE: -20°C to 70°C

### Materials

FRAME: SPCC  
 KNOB: POM (UL 94HB)  
 CONTACT: Silver plated  
 SPRING: SUS  
 TERMINAL: Silver plated

## PS-22E08-G10 NS DPDT NON-SHORTING



### Specifications

CONTACT RATING: 0.3A @ 30 VDC  
 INITIAL CONTACT RESISTANCE: 30 m ohms max.  
 INSULATION RESISTANCE: 100 M ohms min.  
 DIELECTRIC STRENGTH: 500 V AC (50-60 Hz) between open terminals and between the frame and terminal.  
 OPERATING LIFE: 10,000 cycles without load  
 OPERATING FORCE: 200 ± 100 gf (1.96 ± 0.98N)  
 TOTAL TRAVEL: 2.5 ± 0.3 mm  
 OPERATING TEMPERATURE: -20°C to 70°C

### Materials

FRAME: SPCC  
 KNOB: POM (UL 94HB)  
 CONTACT: Silver plated  
 SPRING: SUS  
 TERMINAL: Silver plated



Dimensions are shown: mm  
 Specifications and dimensions subject to change

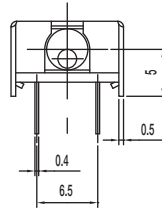
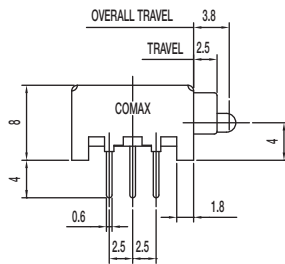
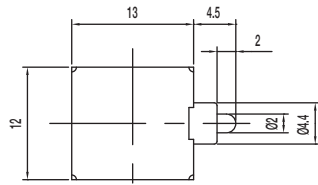
# PS Series Miniature Pushbutton Switches



A

Pushbutton

## PS-22E09-G 4.5 NS DPDT NON-SHORTING

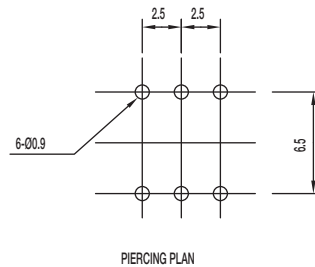
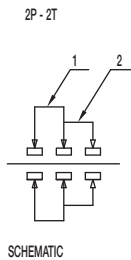


### Specifications

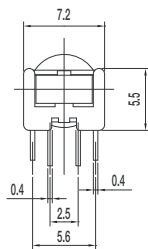
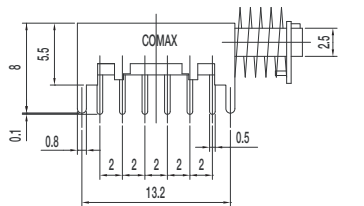
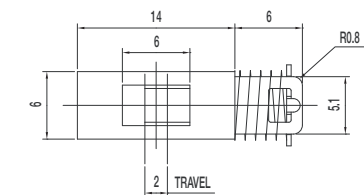
- CONTACT RATING: 0.3A @ 30 VDC
- INITIAL CONTACT RESISTANCE: 30 m ohms max.
- INSULATION RESISTANCE: 100 M ohms min.
- DIELECTRIC STRENGTH: 500 V AC (50-60 Hz) between open terminals and between the frame and terminal.
- OPERATING LIFE: 10,000 cycles with load
- OPERATING FORCE:  $70 \pm 20$  gf (0.686  $\pm$  0.196N)
- TRAVEL:  $2.5 \pm 0.3$  mm
- TOTAL TRAVEL:  $3.8 \pm 0.3$  mm
- OPERATING TEMPERATURE: -20°C to 70°C

### Materials

- FRAME: SPCC
- KNOB: POM (UL 94HB)
- CONTACT: Silver plated
- SPRING: SUS
- TERMINAL: Silver plated



## PS-42D09-NS 4P2T NON-SHORTING

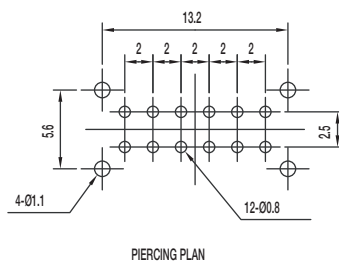
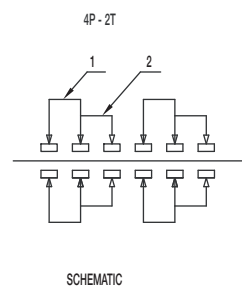


### Specifications

- CONTACT RATING: 0.3A @ 30 VDC
- INITIAL CONTACT RESISTANCE: 30 m ohms max.
- INSULATION RESISTANCE: 100 M ohms min.
- DIELECTRIC STRENGTH: 500 V AC (50-60 Hz) between open terminals and between the frame and terminal.
- OPERATING LIFE: 10,000 cycles with load
- OPERATING FORCE:  $250 \pm 100$  gf (2.45  $\pm$  0.98N)
- TRAVEL:  $2 \pm 0.3$  mm
- OPERATING TEMPERATURE: -20°C to 70°C

### Materials

- FRAME: SPCC
- KNOB: POM (UL 94HB)
- CONTACT PLATE: Silver plated
- SPRING: Steel
- TERMINAL: Silver plated



Dimensions are shown: mm  
Specifications and dimensions subject to change



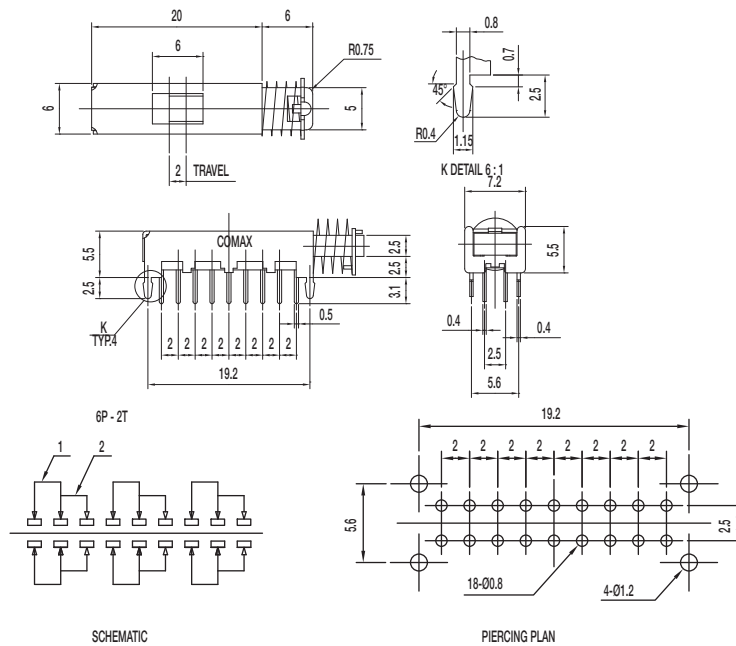
# PS Series Miniature Pushbutton Switches



A

Pushbutton

## PS-62D10-S 6P2T SHORTING



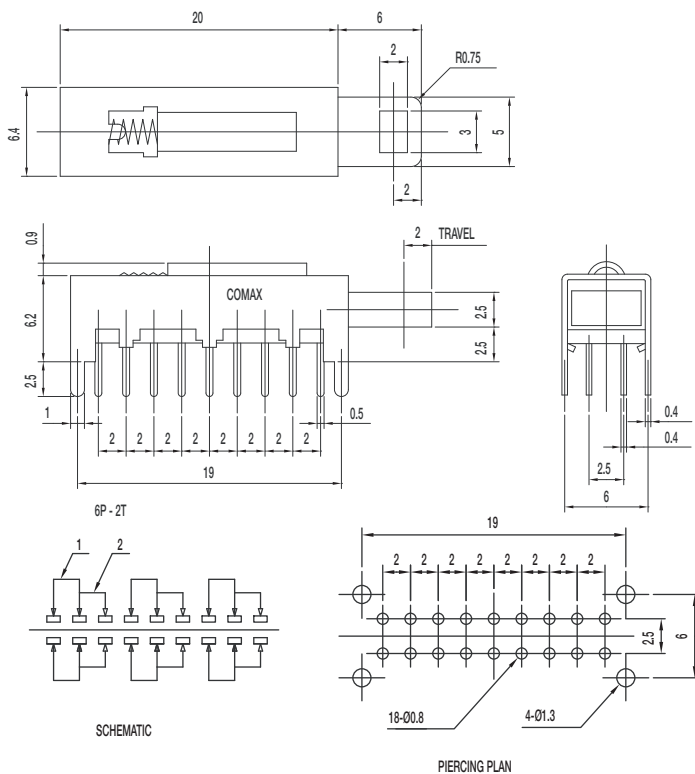
### Specifications

CONTACT RATING: 0.3A @ 30 VDC  
 INITIAL CONTACT RESISTANCE: 30 m ohms max.  
 INSULATION RESISTANCE: 100 M ohms min.  
 DIELECTRIC STRENGTH: 500 V AC (50-60 Hz) between open terminals and between the frame and terminal.  
 OPERATING LIFE: 10,000 cycles with load  
 OPERATING FORCE: 250 ± 100 gf (2.45 ± 0.98N)  
 TRAVEL: 2 ± 0.3 mm  
 OPERATING TEMPERATURE: -20°C to 70°C

### Materials

FRAME: SPCC  
 KNOB: POM (UL 94HB)  
 CONTACT: Silver plated  
 SPRING: Steel  
 TERMINAL: Silver plated

## PS-62D13-S 6P2T SHORTING



### Specifications

CONTACT RATING: 0.3A @ 30 VDC  
 INITIAL CONTACT RESISTANCE: 30 m ohms max.  
 INSULATION RESISTANCE: 100 M ohms min.  
 DIELECTRIC STRENGTH: 500 V AC (50-60 Hz) between open terminals and between the frame and terminal.  
 OPERATING LIFE: 10,000 cycles with load  
 OPERATING FORCE: 300 ± 100 gf (2.94 ± 0.98N)  
 TRAVEL: 2 ± 0.3 mm  
 OPERATING TEMPERATURE: -20°C to 70°C

### Materials

FRAME: SPCC  
 KNOB: POM (UL 94HB)  
 CONTACT PLATE: Silver plated  
 SPRING: Steel  
 TERMINAL: SUS



Dimensions are shown: mm  
 Specifications and dimensions subject to change



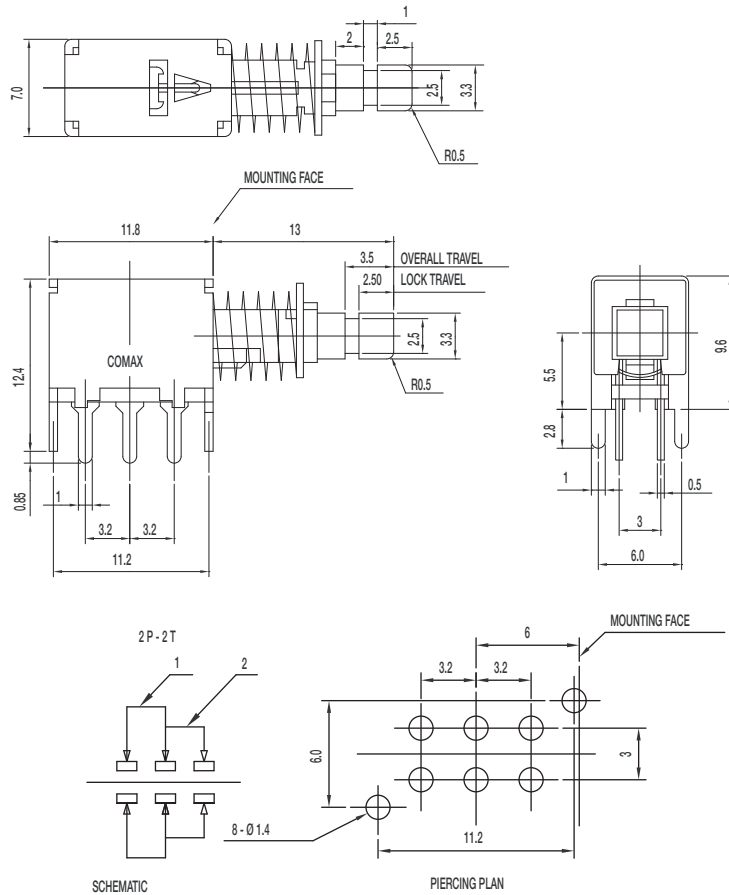
# PS Series Miniature Pushbutton Switches



A

Pushbutton

## PS-22E04-G13 NS DPDT NON-SHORTING WITH LOCK



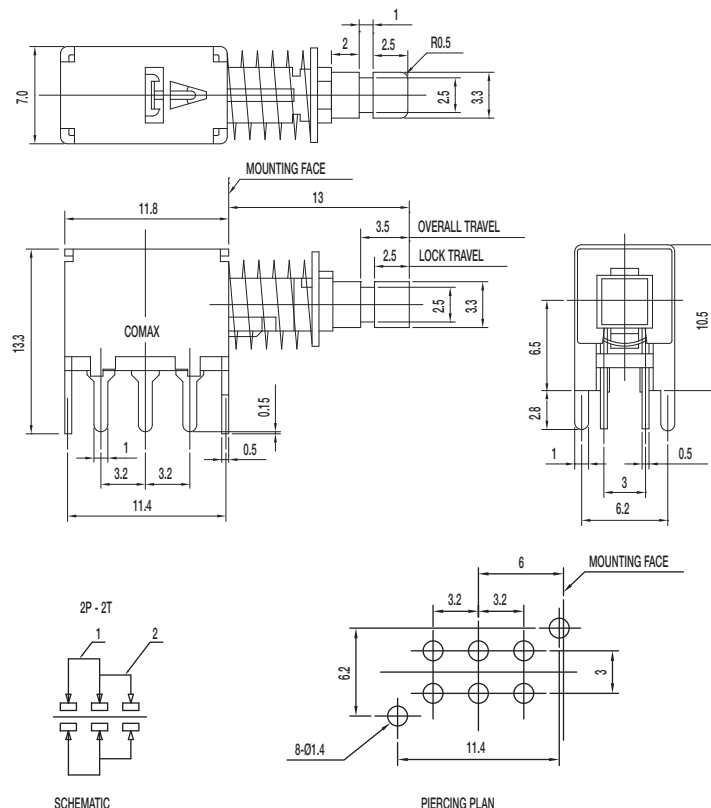
### Specifications

CONTACT RATING: 0.3A @ 30 VDC  
 INITIAL CONTACT RESISTANCE: 30 m ohms max.  
 INSULATION RESISTANCE: 100 M ohms min.  
 DIELECTRIC STRENGTH: 500 V AC (50-60 Hz) between open terminals and between the frame and terminal.  
 OPERATING LIFE: 10,000 cycles with load  
 OPERATING FORCE: 300 ± 100 gf (2.94 ± 0.98N)  
 LOCK TRAVEL: 2.5 ± 0.3 mm  
 TOTAL TRAVEL: 3.5 ± 0.3 mm  
 OPERATING TEMPERATURE: -20°C to 70°C

### Materials

FRAME: SPCC  
 KNOB: POM (UL 94HB)  
 CONTACT: Silver plated  
 SPRING: Steel  
 TERMINAL: Silver plated

## PS-22E44-G13 NS DPDT NON-SHORTING WITH LOCK



### Specifications

CONTACT RATING: 0.3A @ 30 VDC  
 INITIAL CONTACT RESISTANCE: 30 m ohms max.  
 INSULATION RESISTANCE: 100 M ohms min.  
 DIELECTRIC STRENGTH: 500 V AC (50-60 Hz) between open terminals and between the frame and terminal.  
 OPERATING LIFE: 10,000 cycles with load  
 OPERATING FORCE: 300 ± 100 gf (2.94 ± 0.98N)  
 LOCK TRAVEL: 2.5 ± 0.3 mm  
 TOTAL TRAVEL: 3.5 ± 0.3 mm  
 OPERATING TEMPERATURE: -20°C to 70°C

### Materials

FRAME: SPCC  
 KNOB: POM (UL 94HB)  
 CONTACT: Silver plated  
 SPRING: Steel  
 TERMINAL: Silver plated



Dimensions are shown: mm  
 Specifications and dimensions subject to change

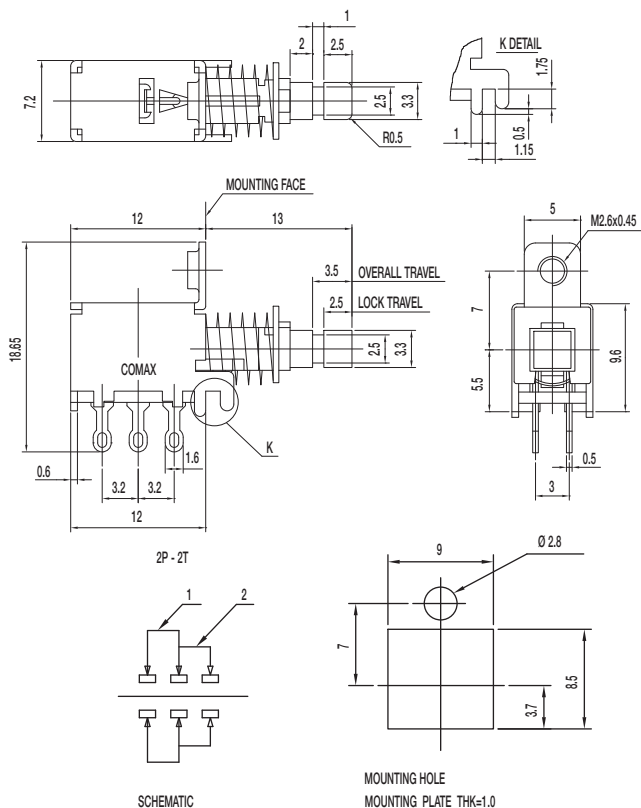


# PS Series Miniature Pushbutton Switches

A

Pushbutton

**PS-22E75-G13 NS** DPDT NON-SHORTING WITH LOCK



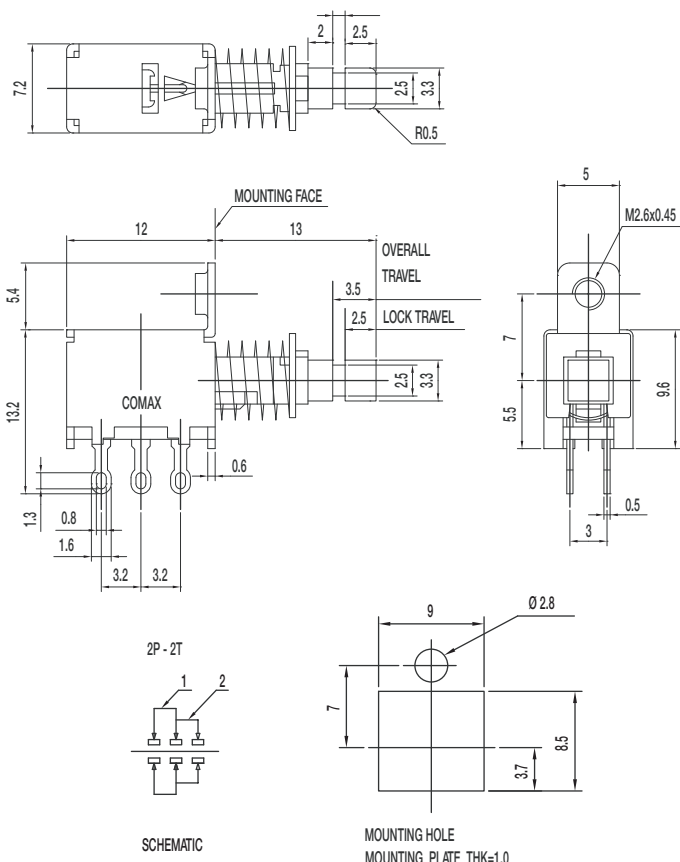
## Specifications

CONTACT RATING: 0.3A @ 30 VDC  
 INITIAL CONTACT RESISTANCE: 30 m ohms max.  
 INSULATION RESISTANCE: 100 M ohms min.  
 DIELECTRIC STRENGTH: 500 V AC (50-60 Hz) between open terminals and between the frame and terminal.  
 OPERATING LIFE: 10,000 cycles with load  
 OPERATING FORCE: 300 ± 100 gf (2.94 ± 0.98N)  
 LOCK TRAVEL: 2.5 ± 0.3 mm  
 TOTAL TRAVEL: 3.5 ± 0.3 mm  
 OPERATING TEMPERATURE: -20°C to 70°C

## Materials

FRAME: SPCC  
 KNOB: POM (UL 94HB)  
 CONTACT: Silver plated  
 SPRING: Steel  
 TERMINAL: Silver plated

**PS-22E95-G13 NS** DPDT NON-SHORTING WITH LOCK



## Specifications

CONTACT RATING: 0.3A @ 30 VDC  
 INITIAL CONTACT RESISTANCE: 30 m ohms max.  
 INSULATION RESISTANCE: 100 M ohms min.  
 DIELECTRIC STRENGTH: 500 V AC (50-60 Hz) between open terminals and between the frame and terminal.  
 OPERATING LIFE: 10,000 cycles with load  
 OPERATING FORCE: 300 ± 100 gf (2.94 ± 0.98N)  
 LOCK TRAVEL: 2.5 ± 0.3 mm  
 TOTAL TRAVEL: 3.5 ± 0.3 mm  
 OPERATING TEMPERATURE: -20°C to 70°C

## Materials

FRAME: SPCC  
 KNOB: POM (UL 94HB)  
 CONTACT: Silver plated  
 SPRING: Steel  
 TERMINAL: Silver plated



Dimensions are shown: mm  
 Specifications and dimensions subject to change

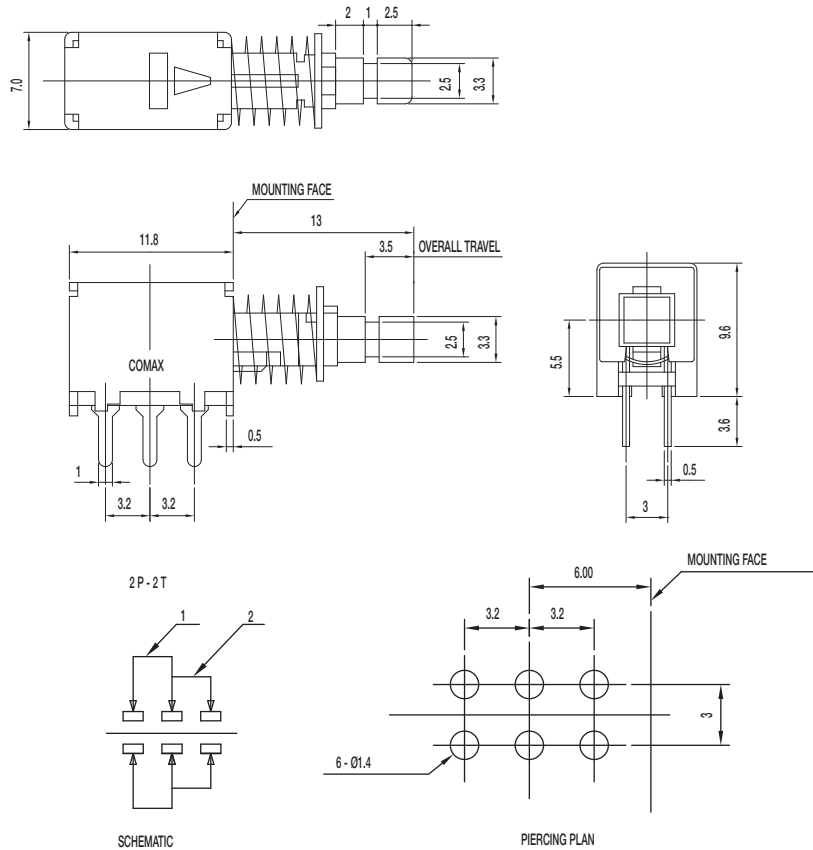
# PS Series Miniature Pushbutton Switches



A

Pushbutton

## PS-22F02-G13 S DPDT SHORTING



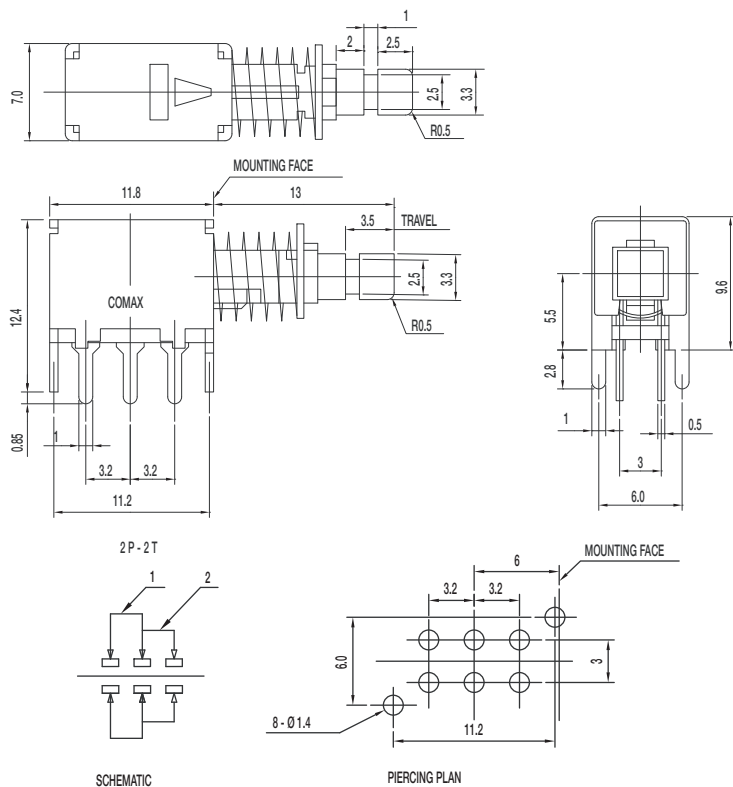
### Specifications

CONTACT RATING: 0.3A @ 30 VDC  
 INITIAL CONTACT RESISTANCE: 30 m ohms max.  
 INSULATION RESISTANCE: 100 M ohms min.  
 DIELECTRIC STRENGTH: 500 V AC (50-60 Hz)  
 between open terminals and between the frame and terminal.  
 OPERATING LIFE: 10,000 cycles with load  
 OPERATING FORCE: 300 ± 100 gf (2.94 ± 0.98N)  
 TOTAL TRAVEL: 3.5 ± 0.3 mm  
 OPERATING TEMPERATURE: -20°C to 70°C

### Materials

FRAME: SPCC  
 KNOB: POM (UL 94HB)  
 CONTACT: Silver plated  
 SPRING: Steel  
 TERMINAL: Silver plated

## PS-22F04-G13 NS DPDT NON\_SHORTING



### Specifications

CONTACT RATING: 0.3A @ 30 VDC  
 INITIAL CONTACT RESISTANCE: 30 m ohms max.  
 INSULATION RESISTANCE: 100 M ohms min.  
 DIELECTRIC STRENGTH: 500 V AC (50-60 Hz) between open terminals and between the frame and terminal.  
 OPERATING LIFE: 10,000 cycles with load  
 OPERATING FORCE: 300 ± 100 gf (2.94 ± 0.98N)  
 TOTAL TRAVEL: 3.5 ± 0.3 mm  
 OPERATING TEMPERATURE: -20°C to 70°C

### Materials

FRAME: SPCC  
 KNOB: POM (UL 94HB)  
 CONTACT: Silver plated  
 SPRING: Steel  
 TERMINAL: Silver plated



Dimensions are shown: mm  
 Specifications and dimensions subject to change

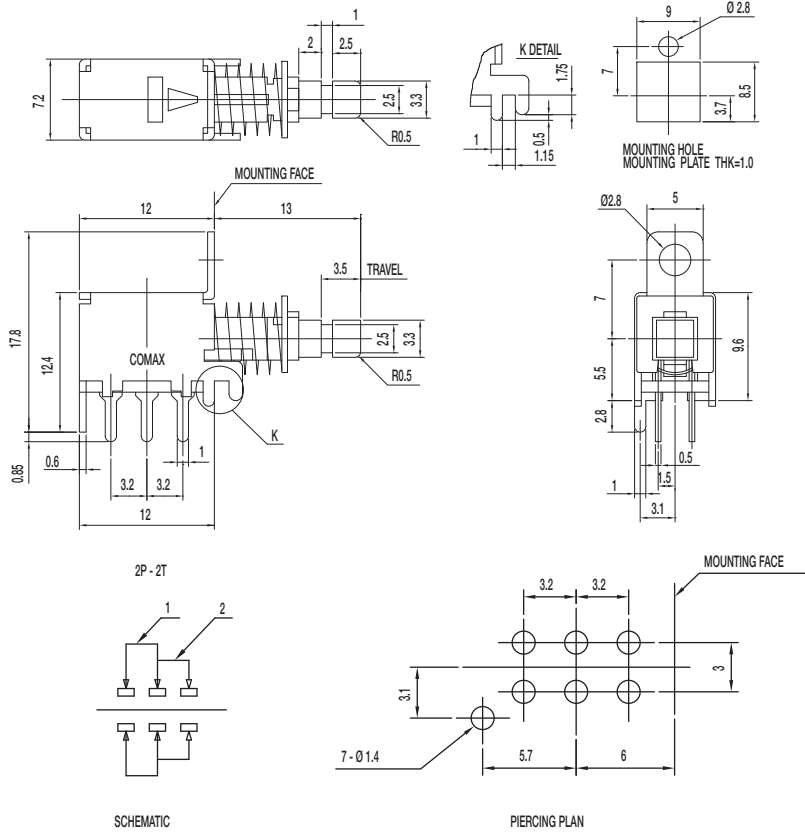


# PS Series Miniature Pushbutton Switches

Pushbutton

A

## PS-22F24-G13 NS DPDT NON\_SHORTING



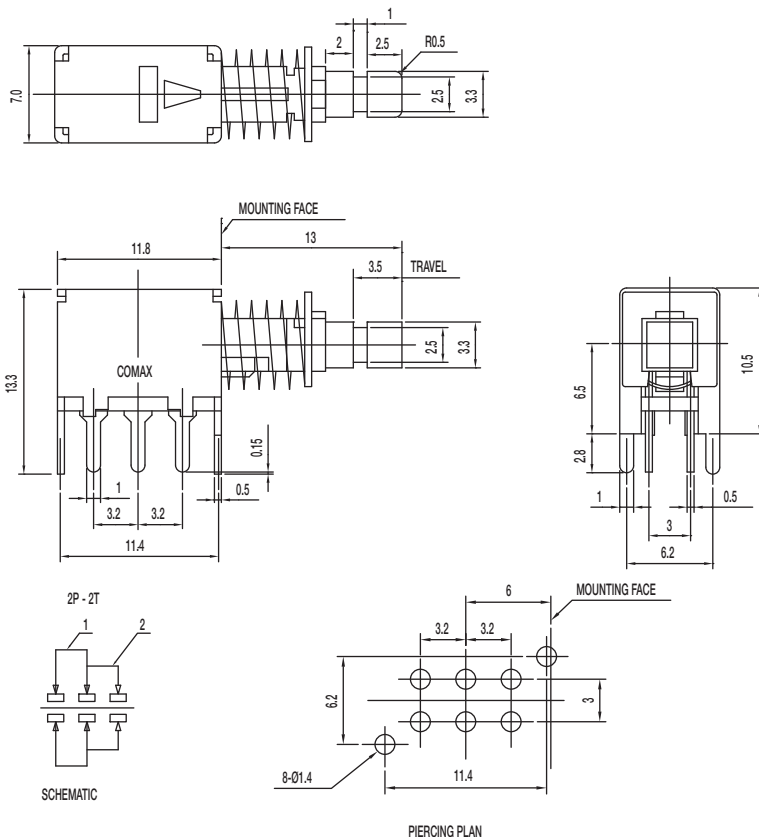
### Specifications

CONTACT RATING: 0.3A @ 30 VDC  
 INITIAL CONTACT RESISTANCE: 30 m ohms max.  
 INSULATION RESISTANCE: 100 M ohms min.  
 DIELECTRIC STRENGTH: 500 V AC (50-60 Hz) between open terminals and between the frame and terminal.  
 OPERATING LIFE: 10,000 cycles with load  
 OPERATING FORCE: 300 ± 100 gf (2.94 ± 0.98N)  
 TOTAL TRAVEL: 3.5 ± 0.3 mm  
 OPERATING TEMPERATURE: -20°C to 70°C

### Materials

FRAME: SPCC  
 KNOB: POM (UL 94HB)  
 CONTACT: Silver plated  
 SPRING: Steel  
 TERMINAL: Silver plated

## PS-22F44-G13 NS DPDT NON\_SHORTING



### Specifications

CONTACT RATING: 0.3A @ 30 VDC  
 INITIAL CONTACT RESISTANCE: 30 m ohms max.  
 INSULATION RESISTANCE: 100 M ohms min.  
 DIELECTRIC STRENGTH: 500 V AC (50-60 Hz) between open terminals and between the frame and terminal.  
 OPERATING LIFE: 10,000 cycles with load  
 OPERATING FORCE: 300 ± 100 gf (2.94 ± 0.98N)  
 TOTAL TRAVEL: 3.5 ± 0.3 mm  
 OPERATING TEMPERATURE: -20°C to 70°C

### Materials

FRAME: SPCC  
 KNOB: POM (UL 94HB)  
 CONTACT: Silver plated  
 SPRING: Steel  
 TERMINAL: Silver plated



Dimensions are shown: mm  
 Specifications and dimensions subject to change