



Chipsmall Limited consists of a professional team with an average of over 10 year of expertise in the distribution of electronic components. Based in Hongkong, we have already established firm and mutual-benefit business relationships with customers from,Europe,America and south Asia,supplying obsolete and hard-to-find components to meet their specific needs.

With the principle of “Quality Parts,Customers Priority,Honest Operation,and Considerate Service”,our business mainly focus on the distribution of electronic components. Line cards we deal with include Microchip,ALPS,ROHM,Xilinx,Pulse,ON,Everlight and Freescale. Main products comprise IC,Modules,Potentiometer,IC Socket,Relay,Connector.Our parts cover such applications as commercial,industrial, and automotives areas.

We are looking forward to setting up business relationship with you and hope to provide you with the best service and solution. Let us make a better world for our industry!



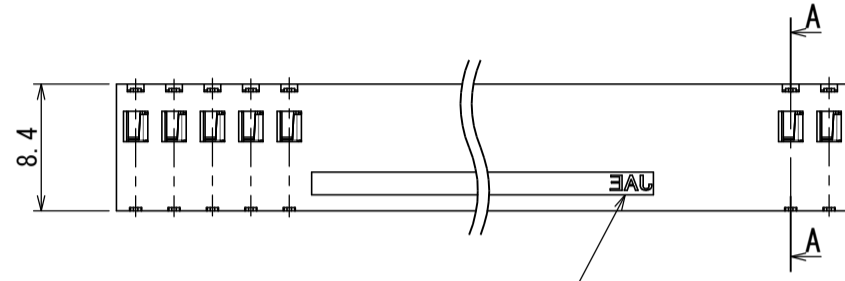
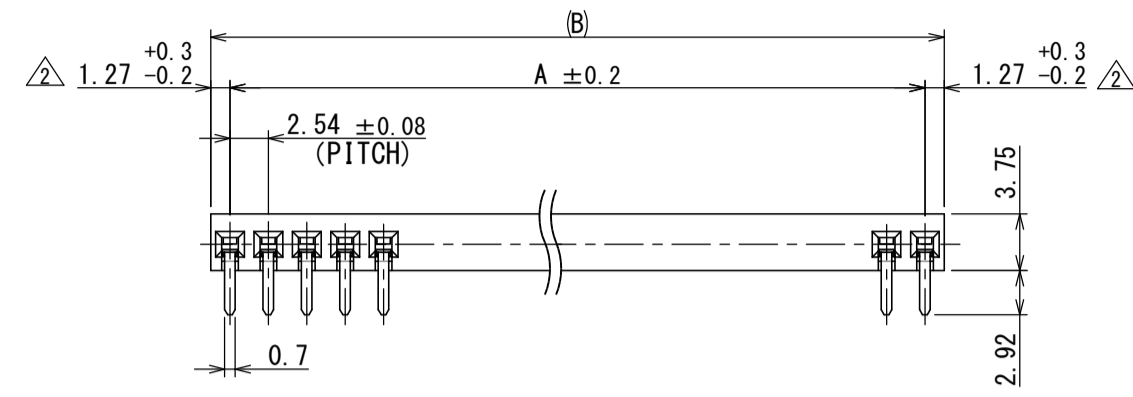
Contact us

Tel: +86-755-8981 8866 Fax: +86-755-8427 6832

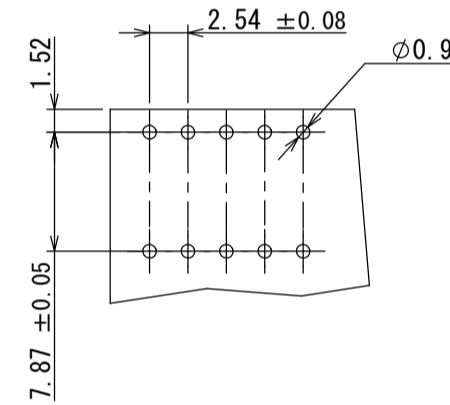
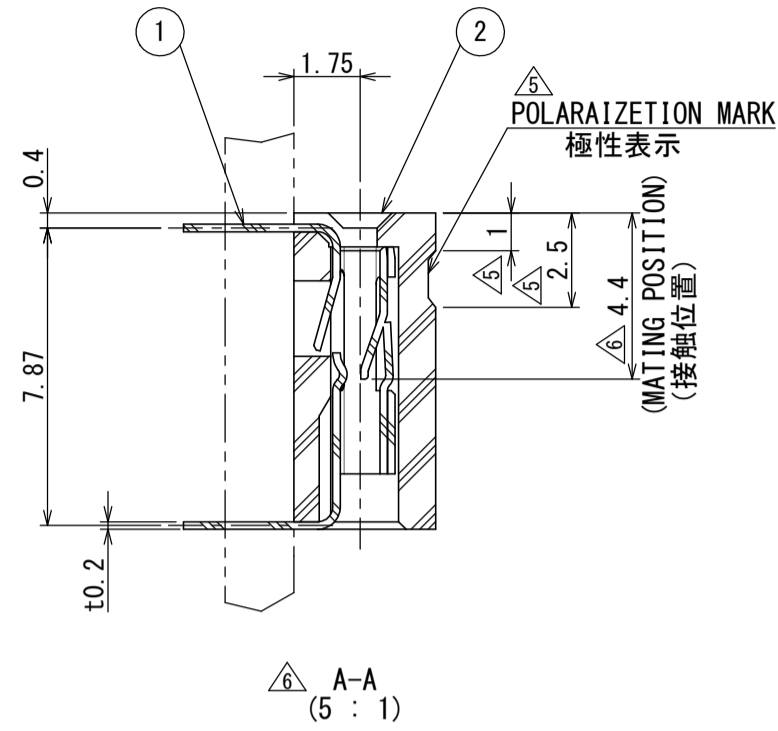
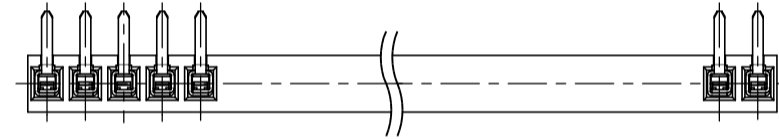
Email & Skype: info@chipsmall.com Web: www.chipsmall.com

Address: A1208, Overseas Decoration Building, #122 Zhenhua RD., Futian, Shenzhen, China





MARKINGS (NOTE1) (BACK SIDE)
品名表示 (裏面)



P.C.B. HOLE PATTERNS (REF.)
基板取付穴寸法 (参考)

版数 VER.	年月日 DATE	図 NO.	変更内容 DESCRIPTION	製 DR.	担 CHK.	査 APPD.	承認 APPD.
9	28/MAR/1997	39708	REDRAWN	J. ICHIYAMA	Y. YAHIRO	K. HISATOMI	H. YASUI
10	25/JUL/2014	008360	REDRAWN, CHANGE NOTE, ETC.	—	K. NAKAZAWA	—	T. KUDOU

TABLE 1. PART NO. AND CONTACTS DIMENSIONS

PART NO.	NO. OF CONTACTS	A	B	PART NO.	NO. OF CONTACTS	A	B
PS-1SD-S4T1-*	1	—	2.54	PS-34SD-S4T1-*	34	83.82	86.36
PS-2SD-S4T1-*	2	2.54	5.08	PS-35SD-S4T1-*	35	86.36	88.90
PS-3SD-S4T1-*	3	5.08	7.62	PS-36SD-S4T1-*	36	88.90	91.44
PS-4SD-S4T1-*	4	7.62	10.16	PS-37SD-S4T1-*	37	91.44	93.98
PS-5SD-S4T1-*	5	10.16	12.70	PS-38SD-S4T1-*	38	93.98	96.52
PS-6SD-S4T1-*	6	12.70	15.24	PS-39SD-S4T1-*	39	96.52	99.06
PS-7SD-S4T1-*	7	15.24	17.78	PS-40SD-S4T1-*	40	99.06	101.60
PS-8SD-S4T1-*	8	17.78	20.32	PS-41SD-S4T1-*	41	101.60	104.14
PS-9SD-S4T1-*	9	20.32	22.86	PS-42SD-S4T1-*	42	104.14	106.68
PS-10SD-S4T1-*	10	22.86	25.40	PS-43SD-S4T1-*	43	106.68	109.22
PS-11SD-S4T1-*	11	25.40	27.94	PS-44SD-S4T1-*	44	109.22	111.76
PS-12SD-S4T1-*	12	27.94	30.48	PS-45SD-S4T1-*	45	111.76	114.30
PS-13SD-S4T1-*	13	30.48	33.02	PS-46SD-S4T1-*	46	114.30	116.84
PS-14SD-S4T1-*	14	33.02	35.56	PS-47SD-S4T1-*	47	116.84	119.38
PS-15SD-S4T1-*	15	35.56	38.10	PS-48SD-S4T1-*	48	119.38	121.92
PS-16SD-S4T1-*	16	38.10	40.64	PS-49SD-S4T1-*	49	121.92	124.46
PS-17SD-S4T1-*	17	40.64	43.18	PS-50SD-S4T1-*	50	124.46	127.00
PS-18SD-S4T1-*	18	43.18	45.72	PS-51SD-S4T1-*	51	127.00	129.54
PS-19SD-S4T1-*	19	45.72	48.26	PS-52SD-S4T1-*	52	129.54	132.08
PS-20SD-S4T1-*	20	48.26	50.80	PS-53SD-S4T1-*	53	132.08	134.62
PS-21SD-S4T1-*	21	50.80	53.34	PS-54SD-S4T1-*	54	134.62	137.16
PS-22SD-S4T1-*	22	53.34	55.88	PS-55SD-S4T1-*	55	137.16	139.70
PS-23SD-S4T1-*	23	55.88	58.42	PS-56SD-S4T1-*	56	139.70	142.24
PS-24SD-S4T1-*	24	58.42	60.96	PS-57SD-S4T1-*	57	142.24	144.78
PS-25SD-S4T1-*	25	60.96	63.50	PS-58SD-S4T1-*	58	144.78	147.32
PS-26SD-S4T1-*	26	63.50	66.04	PS-59SD-S4T1-*	59	147.32	149.86
PS-27SD-S4T1-*	27	66.04	68.58	PS-60SD-S4T1-*	60	149.86	152.40
PS-28SD-S4T1-*	28	68.58	71.12	PS-61SD-S4T1-*	61	152.40	154.94
PS-29SD-S4T1-*	29	71.12	73.66	PS-62SD-S4T1-*	62	154.94	157.48
PS-30SD-S4T1-*	30	73.66	76.20	PS-63SD-S4T1-*	63	157.48	160.02
PS-31SD-S4T1-*	31	76.20	78.74	PS-64SD-S4T1-*	64	160.02	162.56
PS-32SD-S4T1-*	32	78.74	81.28	PS-65SD-S4T1-*	65	162.56	165.10
PS-33SD-S4T1-*	33	81.28	83.82				

TABLE 2. CONTACT FINISH

FINISH CONTACT AREA	1 GOLD (0.1 μm MIN.) OVER NICKEL	2 GOLD (0.3 μm MIN.) OVER NICKEL	3 GOLD (0.76 μm MIN.) OVER NICKEL
---------------------	----------------------------------	----------------------------------	-----------------------------------

TABLE 3

NO. OF CONTACTS 芯数	MARKING 表示
1~2	NONE (表示なし)
3~5	JAE
6~19	JAE**
20~65	JAE PS-** k※※※※

(** : NO. OF CONTACTS)

NOTE1. COMPANY LOGO "JAE", PART NUMBER AND PRODUCTION LOT NUMBER AS INDICATED. (SEE TABLE 3)

注1. 品名表示
図示の位置に社標、品名及び生産ロット番号を表示する。(表3参照)

PRODUCTION LOT NUMBER
生産ロット番号

k※※※※
LOT NUMBER OF CURRENT MONTH
月の生産ロット番号
MONTH (1~9, OCT:0, NOV:X, DEC:Y)
月表示 (1~9, 10月:0, 11月:X, 12月:Y)
YEAR (LAST DIGIT ONLY)
年表示 (西暦末尾)
MANUFACTURING DEPARTMENT CODE
製造部門コード

DESIGNATION
命名法

PS-**-SD-S4T1-*

CONTACT FINISH (SEE TABLE 2)
仕上げ (表2参照)

TERMINAL LENGTH
結線部長さ

TERMINATION (T: THROUGH HOLE TYPE)
ターミネーション (T: スルーホール)

CONTACT ROW AND PITCH (S: SINGLE ROW, 4: 2.54 PITCH)
1列 2.54ピッチ

CONTACT DESIGN
接触部構造

SOCKET SIDE
ソケット側

NO. OF CONTACTS (SEE TABLE 1)
芯数 (表1参照)

SERIES
シリーズ名

符号 NO.	名称 DESCRIPTION	数量 QTY.	材料 MATERIAL	仕上 FINISH	備考 REMARKS
2	INSULATOR	1	PBT	NONE	UL-94V-0 (COLOR: BALCK)
1	CONTACT	SEE TABLE 1	COPPER ALLOY	SEE TABLE 2	—

仕様書 (SPECIFICATION)	第1版 (ORIGINAL DATE)	尺度 (SCALE)	シリーズ (SERIES)
JACS-1133	21/JAN/1974	2:1	PS

一般公差 (GENERAL TOLERANCE)	角度 (ANGLES)	製図 DR.	担当 CHK.	査閲 APPD.	承認 APPD.	名称 (TITLE)	製図番号 (DRAWING NO.)	版数 (VER.)
±0.8	×° ±	SUGASAWA	ICHIMURA	M. SUZUKI	KITAMURA	PS-**-SD-S4T1-*	SJ013940	10
× ±0.4	×°' ±					RECEPTACLE		
×× ±0.1	×°' ±							
××× ±	×°' ±							

質量 (MASS)

日本航空電子工業株式会社
JAPAN AVIATION ELECTRONICS INDUSTRY, LTD.