



Chipsmall Limited consists of a professional team with an average of over 10 year of expertise in the distribution of electronic components. Based in Hongkong, we have already established firm and mutual-benefit business relationships with customers from,Europe,America and south Asia,supplying obsolete and hard-to-find components to meet their specific needs.

With the principle of "Quality Parts,Customers Priority,Honest Operation,and Considerate Service",our business mainly focus on the distribution of electronic components. Line cards we deal with include Microchip,ALPS,ROHM,Xilinx,Pulse,ON,Everlight and Freescale. Main products comprise IC,Modules,Potentiometer,IC Socket,Relay,Connector.Our parts cover such applications as commercial,industrial, and automotives areas.

We are looking forward to setting up business relationship with you and hope to provide you with the best service and solution. Let us make a better world for our industry!



Contact us

Tel: +86-755-8981 8866 Fax: +86-755-8427 6832

Email & Skype: info@chipsmall.com Web: www.chipsmall.com

Address: A1208, Overseas Decoration Building, #122 Zhenhua RD., Futian, Shenzhen, China



版数 REV.	年月日 DATE	内容 DESCRIPTION	製図 DR.	担当 CHK.	査閲 APPD.	承認 APPD.

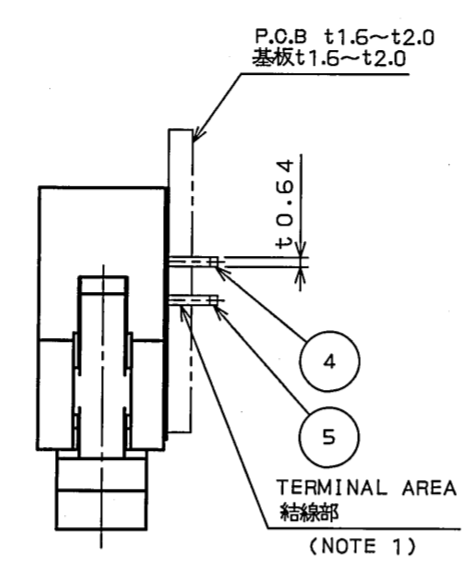
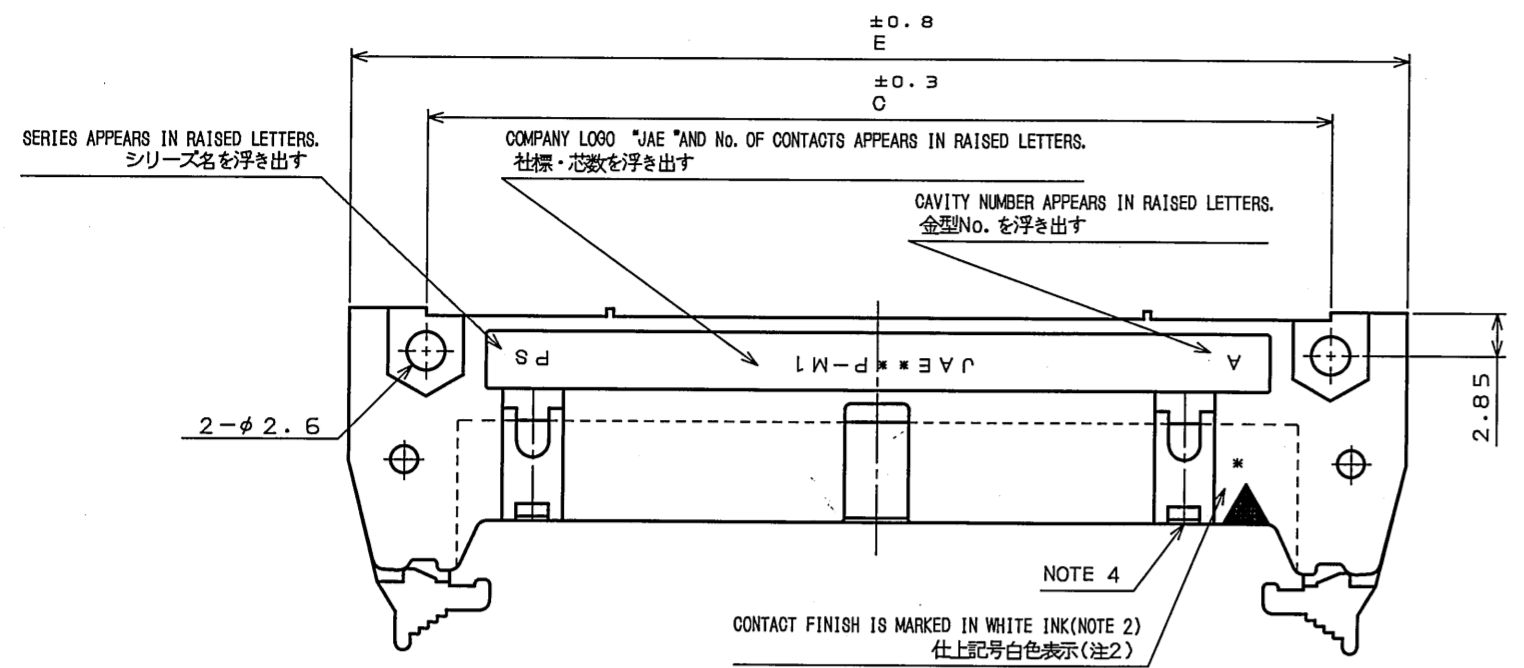


TABLE 1. PART No. OF CONTACTS AND DIMENSIONS
表1 名称、芯数及び寸法A、B、C、D、E

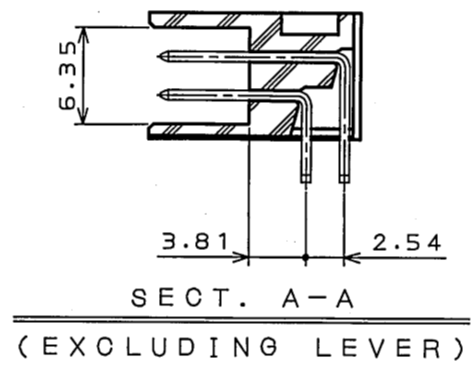
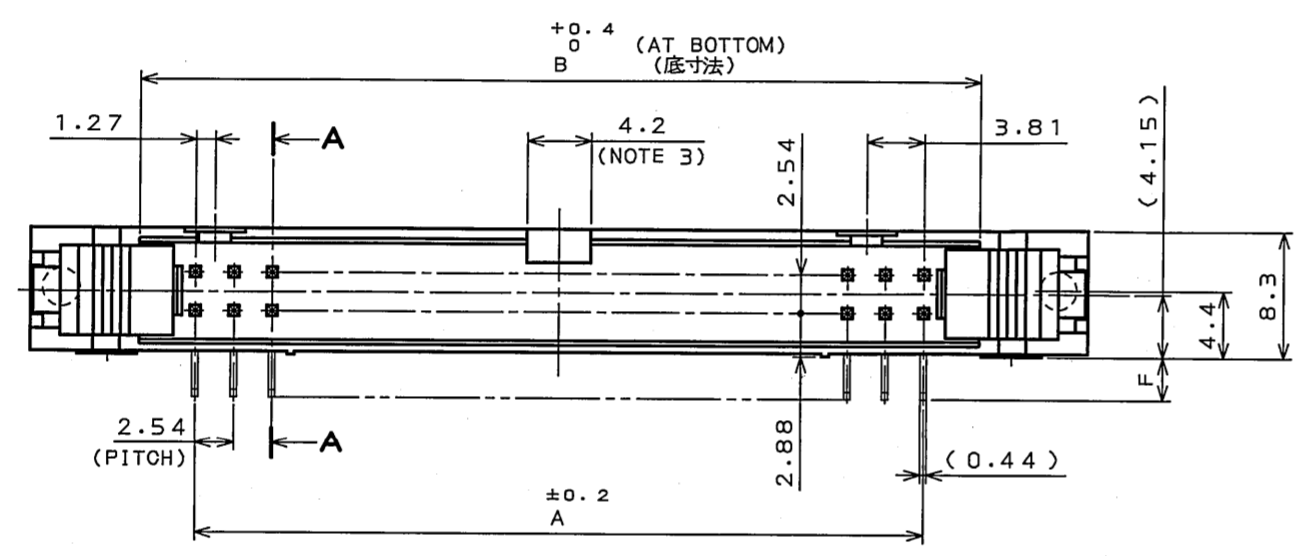
PART No. 名称	No. OF CONTACTS 芯数	A	B	C	D	E
PS-10PE-D4LT*-SM*E	10	10.16	17.53	21.84	27.94	32
PS-16PE-D4LT*-SM*E	16	17.78	25.15	29.46	35.56	39.6
PS-20PE-D4LT*-SM*E	20	22.86	30.23	34.54	40.64	44.7
PS-26PE-D4LT*-SM*E	26	30.48	37.85	42.16	48.26	52.3
PS-30PE-D4LT*-SM*E	30	35.56	42.93	47.24	53.34	57.4
PS-34PE-D4LT*-SM*E	34	40.64	48.01	52.32	58.42	62.5
PS-40PE-D4LT*-SM*E	40	48.26	55.63	59.94	66.04	70.1
PS-50PE-D4LT*-SM*E	50	60.96	68.33	72.64	78.74	82.8
PS-60PE-D4LT*-SM*E	60	73.66	81.03	85.34	91.44	95.5

TABLE 2 CONTACT FINISH
表2 仕上

FINISH 仕上	* CONTACT AREA 接触部	1 GOLD(0.1μm MIN.) OVER NICKEL ニッケル0.1μm以上
	TERMINAL AREA 結線部	(LEAD FREE)TIN/TIN ALLOY OVER NICKEL ニッケル又は錫合金(無鉛)

TABLE 3 TERMINAL LENGTH
表3 結線部長さ

* F	1	2
	2.8	3.3

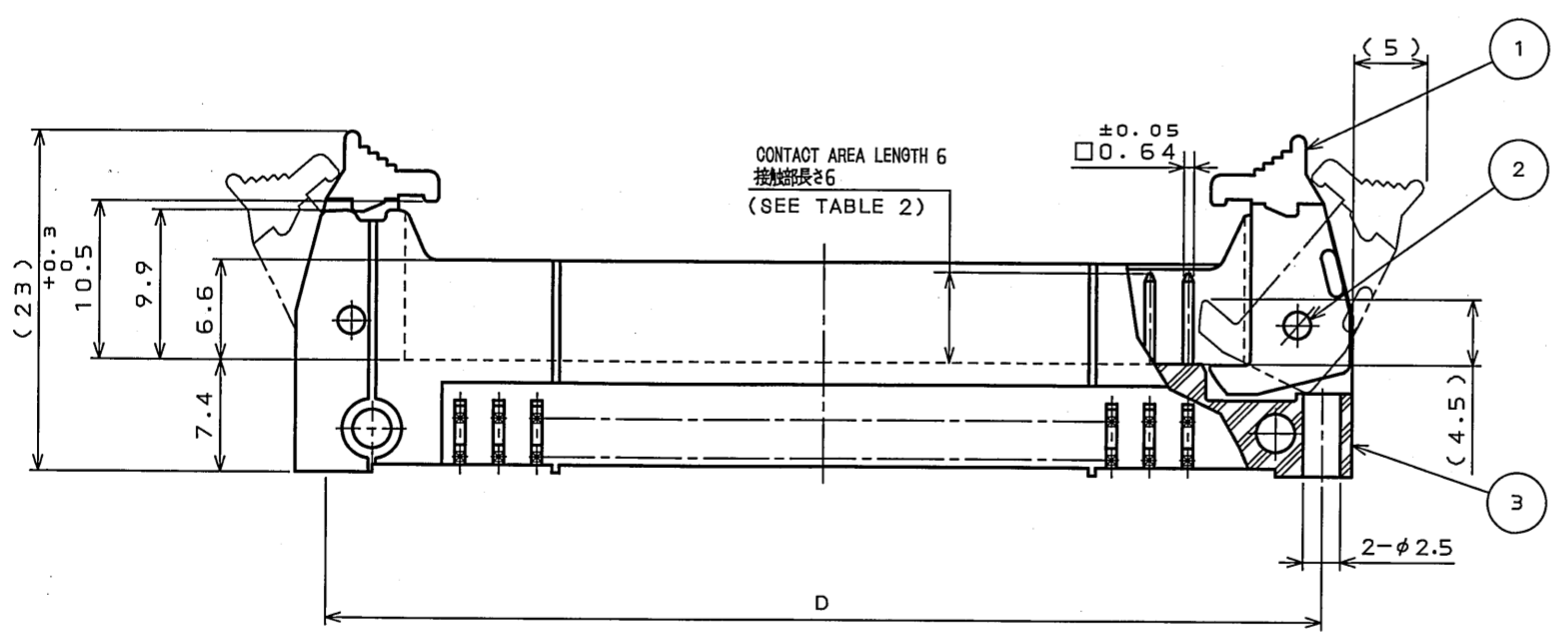


- NOTE1. THE FOUR CORNERS OF TERMINAL AREA SHALL BE BASHED TO BE INSERTED INTO THE HOLE OF 0.7 mm DIAMETER.
2. CONTACT FINISH IS MARKED IN WHITE INK.
- | *
1 | MARKING
表示 |
|--------|---------------|
| | NONE
無表示 |
3. ONE POLARIZING GROOVE IS PROVIDED AT THE CENTER. NO POLARIZING GROOVE IS PROVIDED FOR 10-POSITION CONNECTOR.
4. TWO POLARIZING KEYS ARE PROVIDED. FOR 10-POSITION CONNECTOR, NO POLARIZING KEY IS PROVIDED ON THE ▲ MARKED SIDE, BUT ONE POLARIZING KEY IS PROVIDED ON THE OTHER SIDE.

注1. 結線部は0.64×0.44を四隅面打しφ0.7に挿入できる。
2. 仕上記号白色捺印

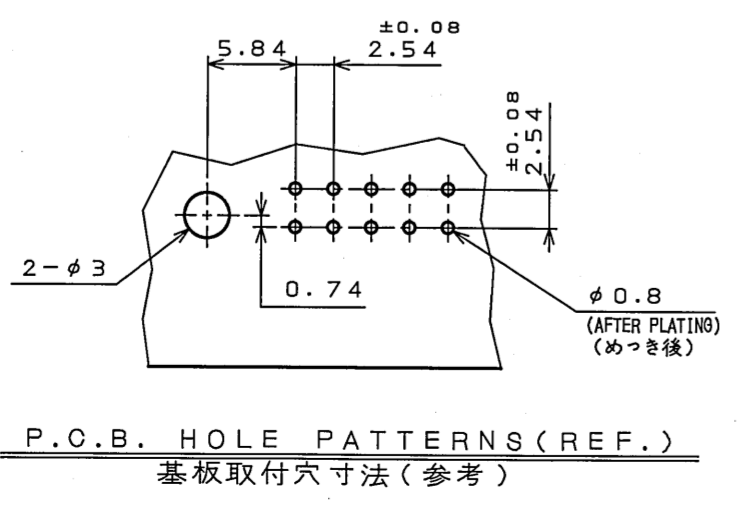
仕上記号*	表示
1	無表示

3. 誤挿入防止溝を中心に1ヶ設ける。但し、10芯は無し。
4. 極性キー取付部を2カ所設ける。但し、10芯は▲マーク側の極性キー取付部は無し。反対側の1ヶ所設けてある。



DESIGNATION
命名法

PS-**-**PE-D4LT*-SM*E
 (LEAD FREE)TIN/TIN ALLOY
 錫又は錫合金(無鉛)
 FINISH(SEE TABLE 2)
 仕上(表2参照)
 PIN HEADER WITH SHORT LATCH(WITH POLARIZING KEY)
 ロック付ピンヘッダ(極性キー付)ショートレバー
 TERMINAL AREA LENGTH(SEE TABLE 3)
 結線部長さ(表3参照)
 THROUGH HOLE(TERMINATION)
 スルーホール(ターミネーション)
 ANGLE TYPE
 アングルタイプ
 DOUBLE ROW 2.54mm SPACE
 2列2.54ピッチ
 CONTACT AREA LENGTH
 接触部長さ
 PIN SIDE
 ピン側
 No. OF CONTACTS(SEE TABLE 1)
 芯数(表1参照)
 SERIES
 シリーズ名



5	LOWER POST	TABLE1	COPPER ALLOY	SEE TABLE 2	
4	UPPER POST	TABLE1	COPPER ALLOY	SEE TABLE 2	
3	INSULATOR	1	P. B. T		UL94V-0 COLOR:BLACK
2	SPRING PIN	2	STAINLESS STEEL	PASSIVATE	
1	LEVER	2	NYLON		
符号 NO.	名称 DESCRIPTION	個数 QTY.	材料 MATERIAL	仕上 FINISH	備考 REMARKS
仕様書(SPECIFICATION)		第1版(ORIGINAL DATE) 27.Dec.2004		尺度(SOALE) 2:1	シリーズ(SERIES) PS
公差(GENERAL TOLERANCE)		製図 DR. H.SAKURADA		名称(TITLE) PS-**-**PE-D4LT*-SM*E	
寸法(DIMENSION) 角度(ANGLES)		担当 CHK. N.UCHIYAMA		JAE ELECTRONICS INDUSTRY, LTD.	
. ±0.8	° ±	査閲 APPD. Y.YAMIRO		図面番号(DRAWING NO.) SJ101481	
.X ±0.4	°X ±	承認 APPD. K.Hisatomo		数量(MASS)	
.XX ±0.1	°XX ±			版数 (REV.) 1	
.XXX ±					

LEAD FREE この製品は鉛フリーです