



Chipsmall Limited consists of a professional team with an average of over 10 year of expertise in the distribution of electronic components. Based in Hongkong, we have already established firm and mutual-benefit business relationships with customers from,Europe,America and south Asia,supplying obsolete and hard-to-find components to meet their specific needs.

With the principle of “Quality Parts,Customers Priority,Honest Operation,and Considerate Service”,our business mainly focus on the distribution of electronic components. Line cards we deal with include Microchip,ALPS,ROHM,Xilinx,Pulse,ON,Everlight and Freescale. Main products comprise IC,Modules,Potentiometer,IC Socket,Relay,Connector.Our parts cover such applications as commercial,industrial, and automotives areas.

We are looking forward to setting up business relationship with you and hope to provide you with the best service and solution. Let us make a better world for our industry!



## Contact us

Tel: +86-755-8981 8866 Fax: +86-755-8427 6832

Email & Skype: info@chipsmall.com Web: www.chipsmall.com

Address: A1208, Overseas Decoration Building, #122 Zhenhua RD., Futian, Shenzhen, China





# PS CONNECTOR

## Connectors for tabs

- Secure locking, easy insertion
- Stable contact performance
- Mis-insertion prevention mechanism and housing lance

### Standards

Recognized E60389

Certified LR20812

R9850196

### Specifications

- Current rating: 25A AC, DC(#250/AWG #10)
- Voltage rating: 250V AC, DC
- Temperature range: -40°C to +105°C  
(including temperature rise in applying electrical current)
- Contact resistance: Initial value/ 3m Ω max.  
After environmental testing/ 6m Ω max.
- Insulation resistance: 1,000M Ω min.
- Withstanding voltage: 2,000V AC/ minute
- Applicable wire: #110...AWG #24 to #16  
#187...AWG #26 to #14  
#205...AWG #22 to #14  
#250...AWG #22 to #10
- Applicable Tab: #110 Tab 0.5mm thick  
#187 Tab 0.5mm/0.8mm thick  
#205 Tab 0.5mm/0.8mm thick  
#250 Tab 0.8mm thick

\* Compliant with RoHS.

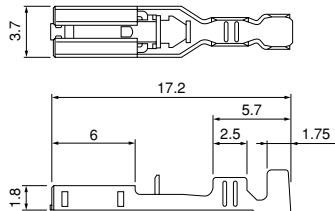
\* Refer to "General Instruction and Notice when using Terminals and Connectors" at the end of this catalog.

\* Contact JST for details.

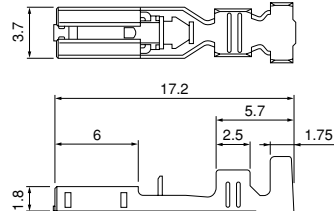
### Contact

#### #110 Series

##### SPS-01T-110



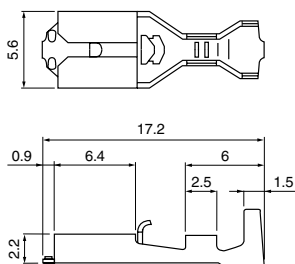
##### SPS-41T-110



#### #187 Series

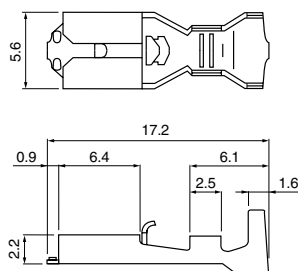
##### SPS-01T-187

(for 0.5mm thick tabs)



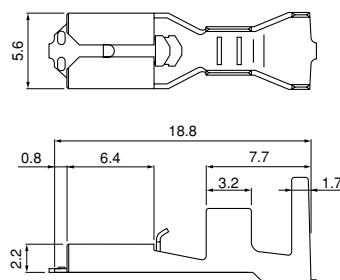
##### SPS-51T-187

(for 0.5mm thick tabs)



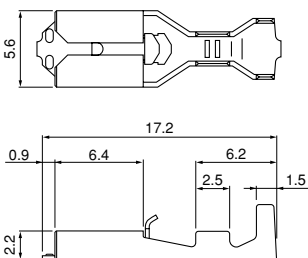
##### SPS-82T-187

(for 0.5mm thick tabs)



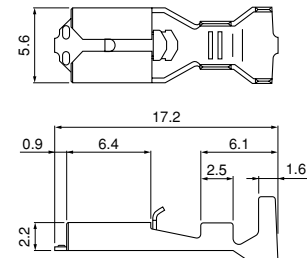
##### SPS-01T-187-8

(for 0.8mm thick tabs)



##### SPS-51T-187-8

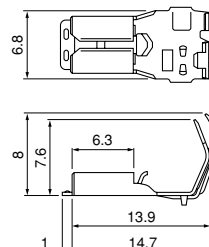
(for 0.8mm thick tabs)



#### <Flag type>

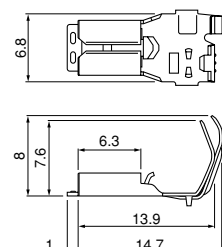
##### SFPS-41T-187

(for 0.5mm thick tabs)



##### SFPS-41T-187-8

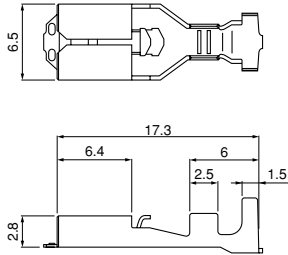
(for 0.8mm thick tabs)



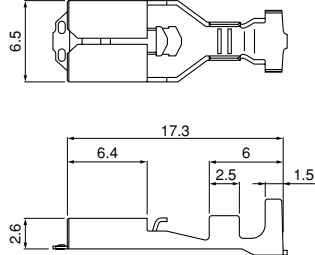
## Contact

### #205 Series

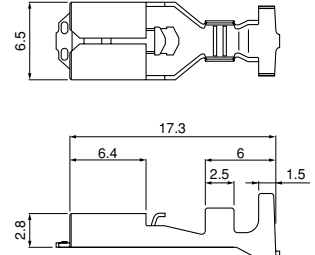
**SPS-21T-205**  
(for 0.8mm thick tabs)



**SPS-21T-205-5**  
(for 0.5mm thick tabs)

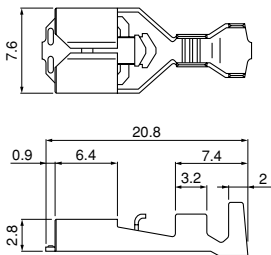


**SPS-51T-205**  
(for 0.8mm thick tabs)

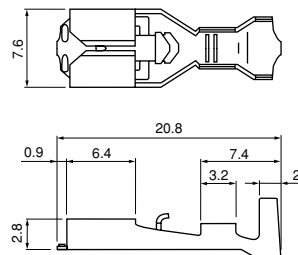


### #250 Series

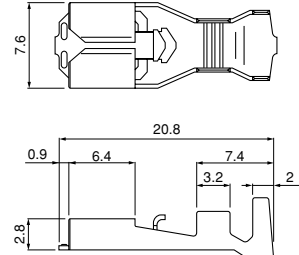
**SPS-21T-250**



**SPS-61T-250**

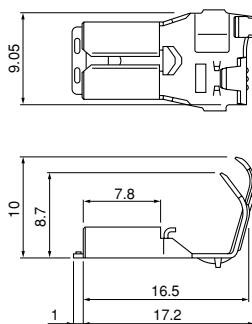


**SPS-91T-250**

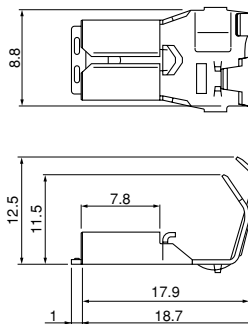


### <Flag type>

**SFPS-61T-250**

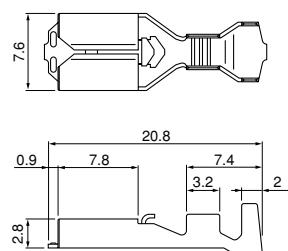


**SFPS-91T-250**

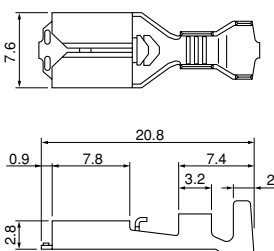


### #250S Series

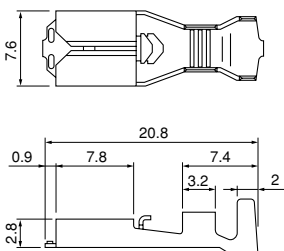
**SPS-21T-250S**



**SPS-61T-250S**



**SPS-91T-250S**



# PS CONNECTOR

## Contact

Series	Model No.	Applicable wire		Insulation O.D.(mm)	Q'ty / reel
		mm <sup>2</sup>	AWG #		
#110	SPS-01T-110	0.21 ~ 0.5	24~20	1.0~2.5	10,000
	SPS-41T-110	0.5 ~ 1.31	20~16	1.9~3.4	10,000
#187	for 0.5mm thick tabs SPS-01T-187	0.13~ 0.5	26~20	1.3~3.4	10,000
	for 0.5mm thick tabs SPS-51T-187	0.5 ~ 2.0	20~14	1.9~3.6	7,500
	for 0.5mm thick tabs *SPS-82T-187	0.75+0.75~1.25+1.25	18+18~16+16	2.1+2.1~2.9+2.9	3,500
	for 0.8mm thick tabs SPS-01T-187-8	0.13~ 0.5	26~20	1.3~3.4	10,000
	for 0.8mm thick tabs SPS-51T-187-8	0.5 ~ 2.0	20~14	1.9~3.6	7,500
#187 flag	for 0.5mm thick tabs SFPS-41T-187	0.3 ~ 1.25	22~16	1.7~3.4	5,000
	for 0.8mm thick tabs SFPS-41T-187-8	0.3 ~ 1.31	22~16	1.7~3.4	5,000
#205	for 0.8mm thick tabs SPS-21T-205	0.3 ~ 0.75	22~18	1.5~3.1	5,000
	for 0.5mm thick tabs SPS-21T-205-5	0.3 ~ 0.75	22~18	1.5~3.1	5,000
	for 0.8mm thick tabs SPS-51T-205	0.5 ~ 2.0	20~14	1.9~3.6	5,000
#250	SPS-21T-250	0.3 ~ 0.75	22~18	1.5~3.1	5,000
	SPS-61T-250	0.75~2.0	18~14	2.1~3.9	5,000
	SPS-91T-250	2.0 ~ 5.5	14~10	3.0~4.7	4,000
#250 flag	SFPS-61T-250	0.75~2.0	18~14	2.1~3.9	3,000
	SFPS-91T-250	3.5 ~ 5.5	12~10	4.0~5.2	2,000
#250S	SPS-21T-250S	0.3 ~ 0.75	22~18	1.5~3.1	5,000
	SPS-61T-250S	0.75~2.0	18~14	2.1~3.9	5,000
	SPS-91T-250S	2.0 ~ 5.5	14~10	3.0~4.7	4,000

## Material and Finish

Brass, tin-plated (reflow treatment)

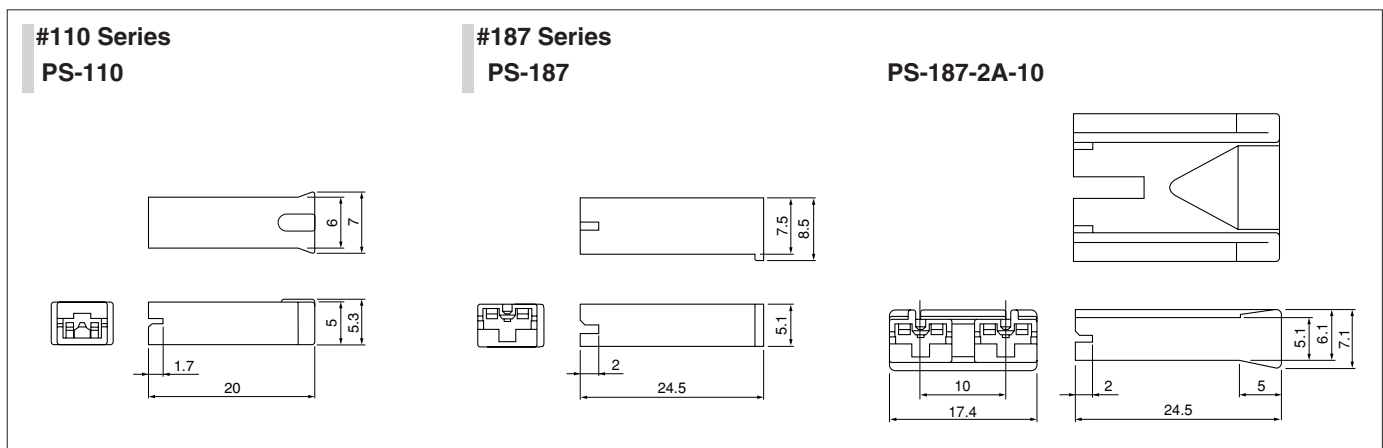
## RoHS compliance

Note: \*Marked product is not UL/CSA/TÜV approved.

Contact	Crimping machine	Applicator		
		Crimp applicator	Dies	Crimp applicator with dies
SPS-01T-110	AP-K2N	MK-L-SPS	MK/SPS-01-110	APLMK SPS01-110
		—	—	—
SPS-41T-110		MK-L-SPS	MK/SPS-41-110	APLMK SPS41-110
		—	—	—
SPS-01T-187 (-8)		MK-L-SPS	MK/SPS-01-187	APLMK SPS01-187
		—	—	—
SPS-51T-187 (-8)		MK-L-SPS	MK/SPS-51-187	APLMK SPS51-187
		—	—	—
SPS-82T-187		MK-L-SPS	MK/SPS-82-187	APLMK SPS82-187
		—	—	—
SFPS-41T-187 (-8)		MKF-L-PS187	MK/SFPS-41-187	APL SFPS41-187
		—	—	—
SPS-21T-205 (-5)	MK-L-SPS	MK/SPS-21-205	APLMK SPS21-205	
	—	—	—	

Contact	Crimping machine	Applicator		
		Crimp applicator	Dies	Crimp applicator with dies
SPS-51T-205	AP-K2N	MK-L-SPS	MK/SPS-51-205	APLMK SPS51-205
		—	—	—
SPS-21T-250 (S)		MK-L-SPS	MK/SPS-21-250	APLMK SPS21-250
		—	—	—
SPS-61T-250 (S)		MK-L-SPS	MK/SPS-61-250	APLMK SPS61-250
		—	—	—
SPS-91T-250 (S)		MK-L-SPS	MK/SPS-91-250	APLMK SPS91-250
		—	—	—
SFPS-61T-250		MKF-L-PS250	MK/SFPS-61-250	APL SFPS61-250
		—	—	—
SFPS-91T-250		MKF-L-PS9250	MK/SFPS-91-250	APL SFPS91-250
		—	—	—

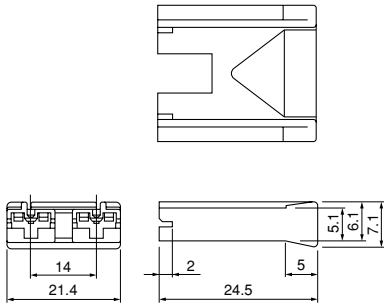
## Housing



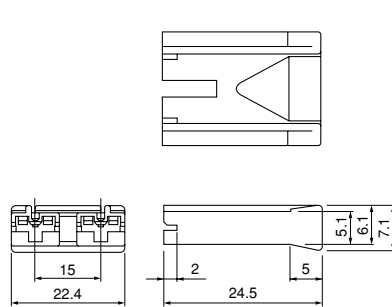
## Housing

### #187 Series

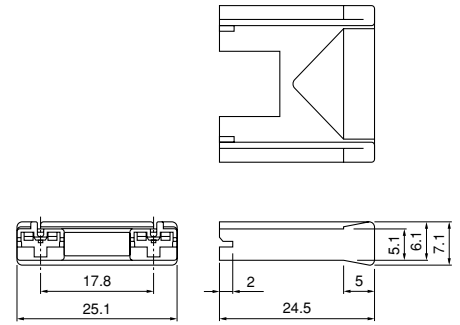
PS-187-2A-14



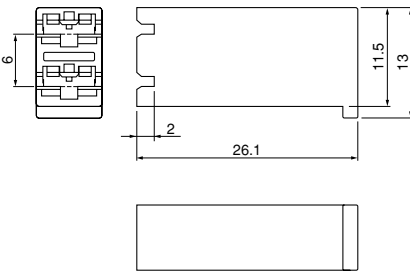
PS-187-2A-15



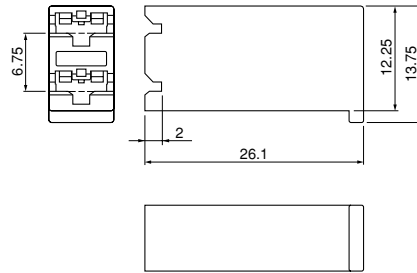
PS-187-2A-17.8



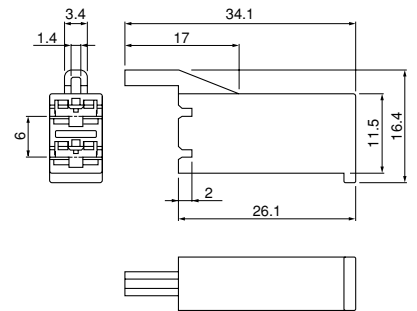
PS-187-2B



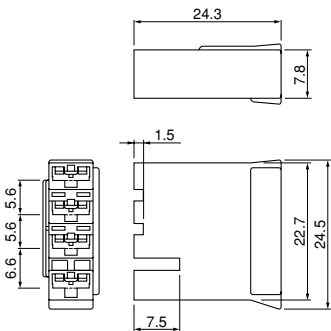
PS-187-2B-6.75



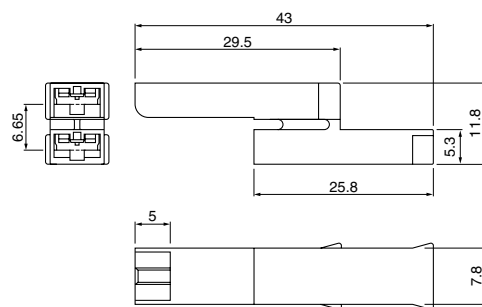
PS-187-2B1



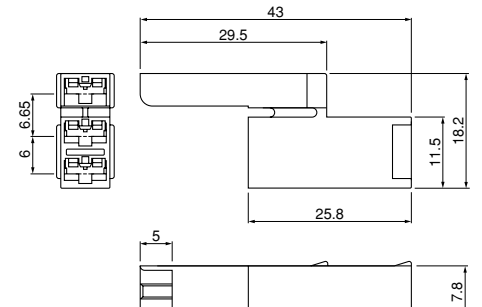
PS-187-4B



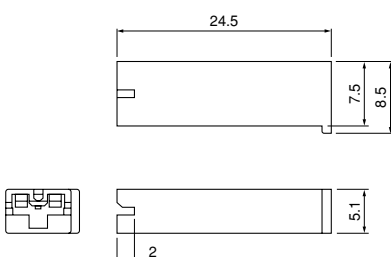
PS-187-2V



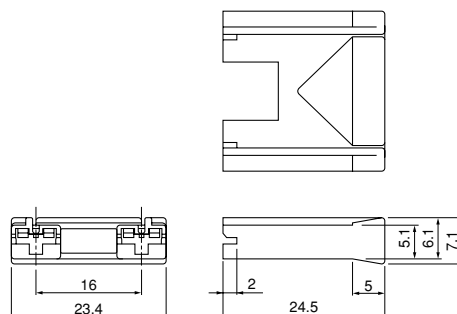
PS-187-3V



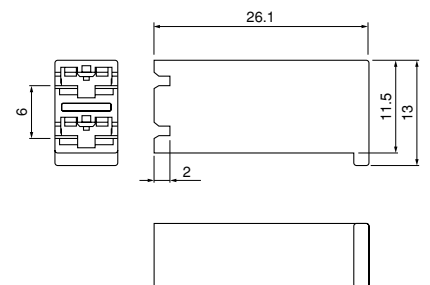
PS-187-8-H



PS-187-2A-16-8-H



PS-187-2B-8-H

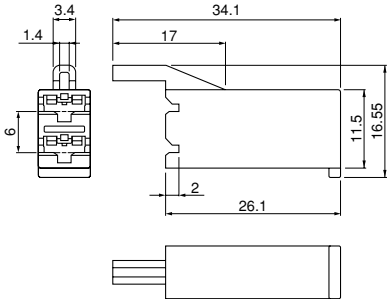


# PS CONNECTOR

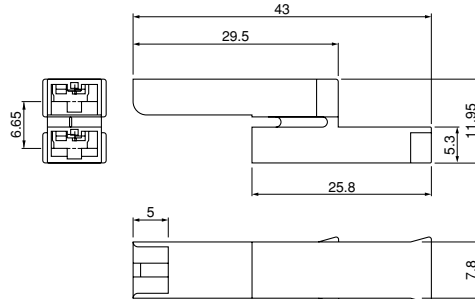
## Housing

### #187 Series

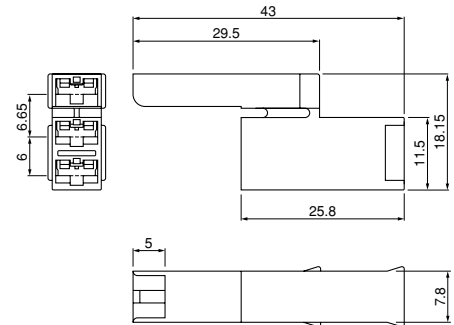
PS-187-2B1-8-H



PS-187-2V-8-H

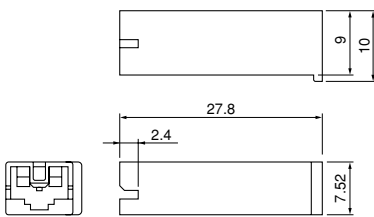


PS-187-3V-8-H

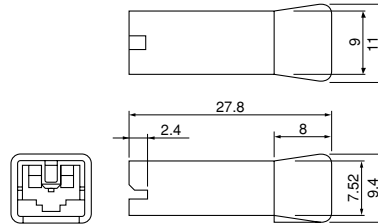


### #250 Series

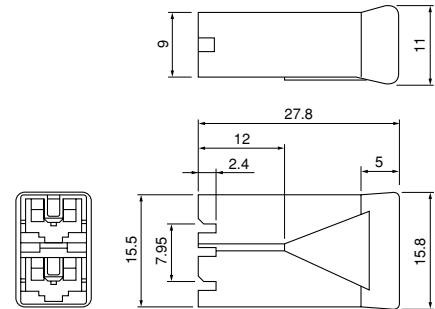
PS-250



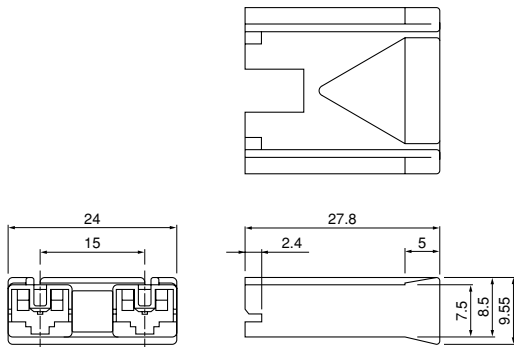
PS-250-A



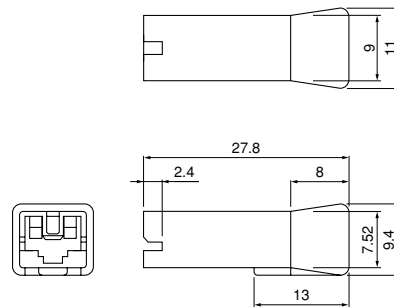
PS-250-2B



PS-250-2A-15

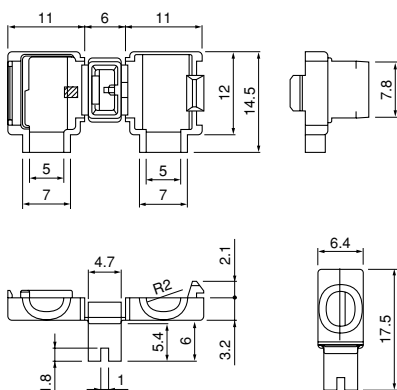


### #250S Series NPS-250-A

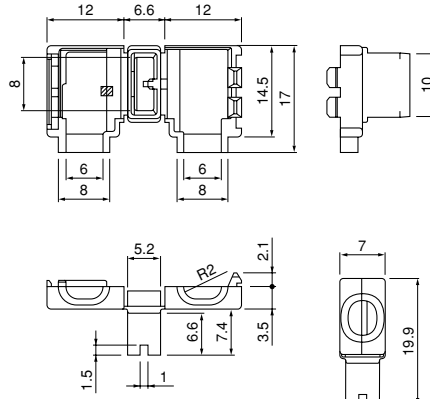


### One-touch sleeve

FPS-187



FPS-250



# PS CONNECTOR

## Housing

Series	Model No.	Q'ty / bag	Applicable terminal
#110	PS-110	1,000	SPS-01T-110, SPS-41T-110
#187	PS-187	1,000	SPS-01T-187 SPS-51T-187 SPS-82T-187
	PS-187-2A-10	500	
	PS-187-2A-14	500	
	PS-187-2A-15	500	
	PS-187-2A-17.8	500	
	PS-187-2B	500	
	PS-187-2B-6.75	500	
	PS-187-2B1	500	SPS-01T-187-8 SPS-51T-187-8
	PS-187-4B	500	
	PS-187-2V	500	
	PS-187-3V	500	
	*PS-187-8-H	1,000	
	*PS-187-2A-16-8-H	500	
*PS-187-2B-8-H	500	SPS-21T-250S SPS-61T-250S SPS-91T-250S	
*PS-187-2B1-8-H	500		
*PS-187-2V-8-H	500		
#250S	NPS-250-A	1,000	SPS-21T-250 SPS-61T-250 SPS-91T-250
	PS-250	1,000	
#250	PS-250-A	500	SFPS-41T-187 SFPS-61T-250
	PS-250-2B	500	
	PS-250-2A-15	500	
One-touch sleeve	FPS-187	500	SFPS-41T-187 SFPS-61T-250
	FPS-250	500	

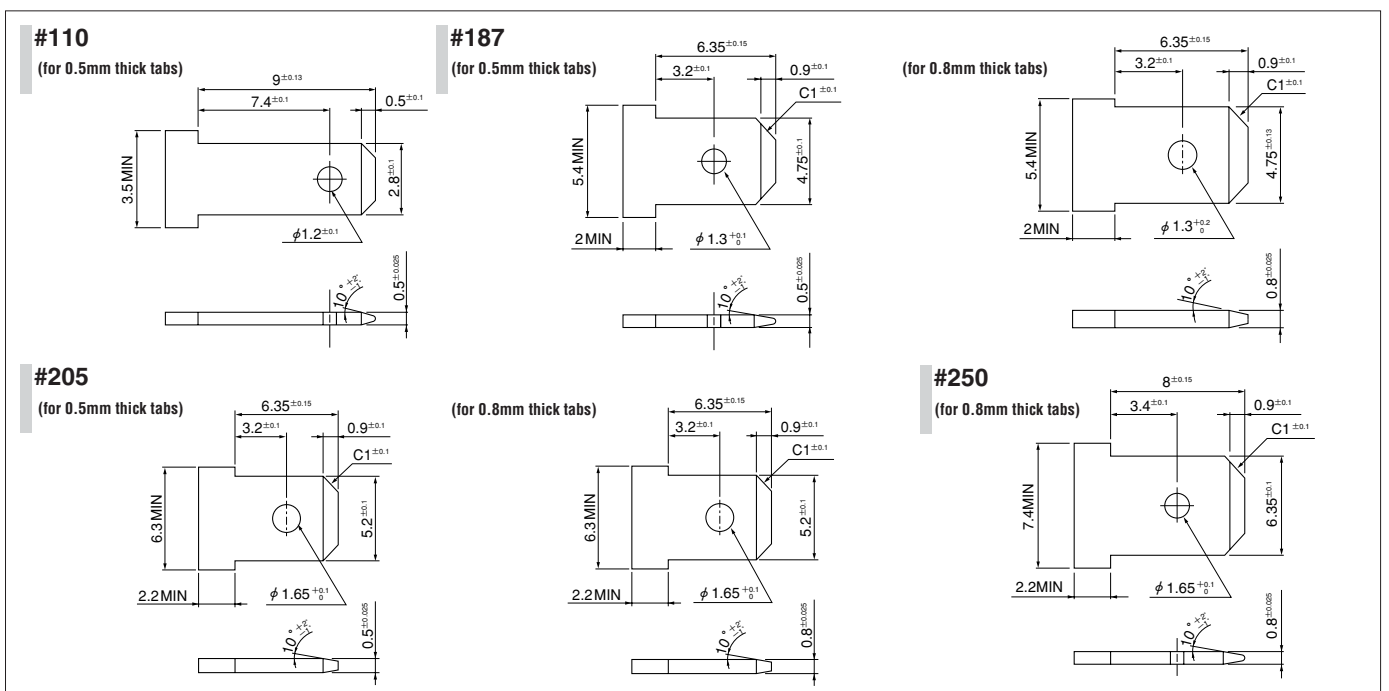
### Material and Finish

PA 66, UL94V-0, natural (white)  
UL94V-0, gray <\*-marked housing... for 0.8mm thick tabs>

### RoHS compliance

Note: FPS-187 and FPS-250 are UL recognized with File No. E55167 and CSA certified with File No. LR83372, but not TÜV approved.

## Applicable tab



- Note: 1. Contact JST when using PS connector for Micro-switch.  
2. Make sure there are no unneeded ribs or other protuberances on tab surfaces.  
3. Use the brass product for material.  
4. Contact JST when using PS-187-4B.