



Chipsmall Limited consists of a professional team with an average of over 10 year of expertise in the distribution of electronic components. Based in Hongkong, we have already established firm and mutual-benefit business relationships with customers from,Europe,America and south Asia,supplying obsolete and hard-to-find components to meet their specific needs.

With the principle of “Quality Parts,Customers Priority,Honest Operation,and Considerate Service”,our business mainly focus on the distribution of electronic components. Line cards we deal with include Microchip,ALPS,ROHM,Xilinx,Pulse,ON,Everlight and Freescale. Main products comprise IC,Modules,Potentiometer,IC Socket,Relay,Connector.Our parts cover such applications as commercial,industrial, and automotives areas.

We are looking forward to setting up business relationship with you and hope to provide you with the best service and solution. Let us make a better world for our industry!



## Contact us

Tel: +86-755-8981 8866 Fax: +86-755-8427 6832

Email & Skype: info@chipsmall.com Web: www.chipsmall.com

Address: A1208, Overseas Decoration Building, #122 Zhenhua RD., Futian, Shenzhen, China



REV.	DATE	CON. NO.	DESCRIPTION	DR.	CHK.	APP.	APP.
2	28.Oct.2010	070905	REVISED POST MATERIAL	M.SAITOU	N.UCHIYAMA		

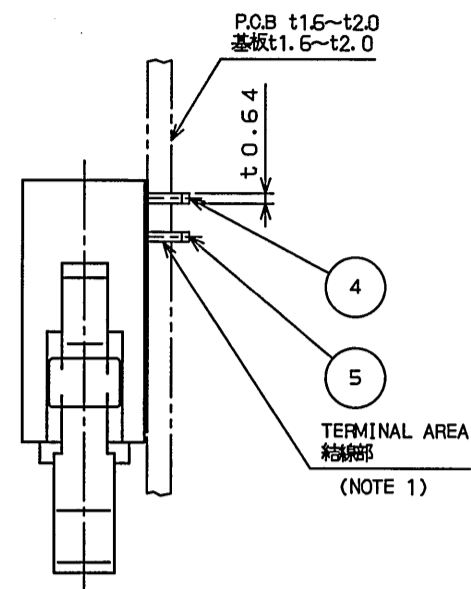
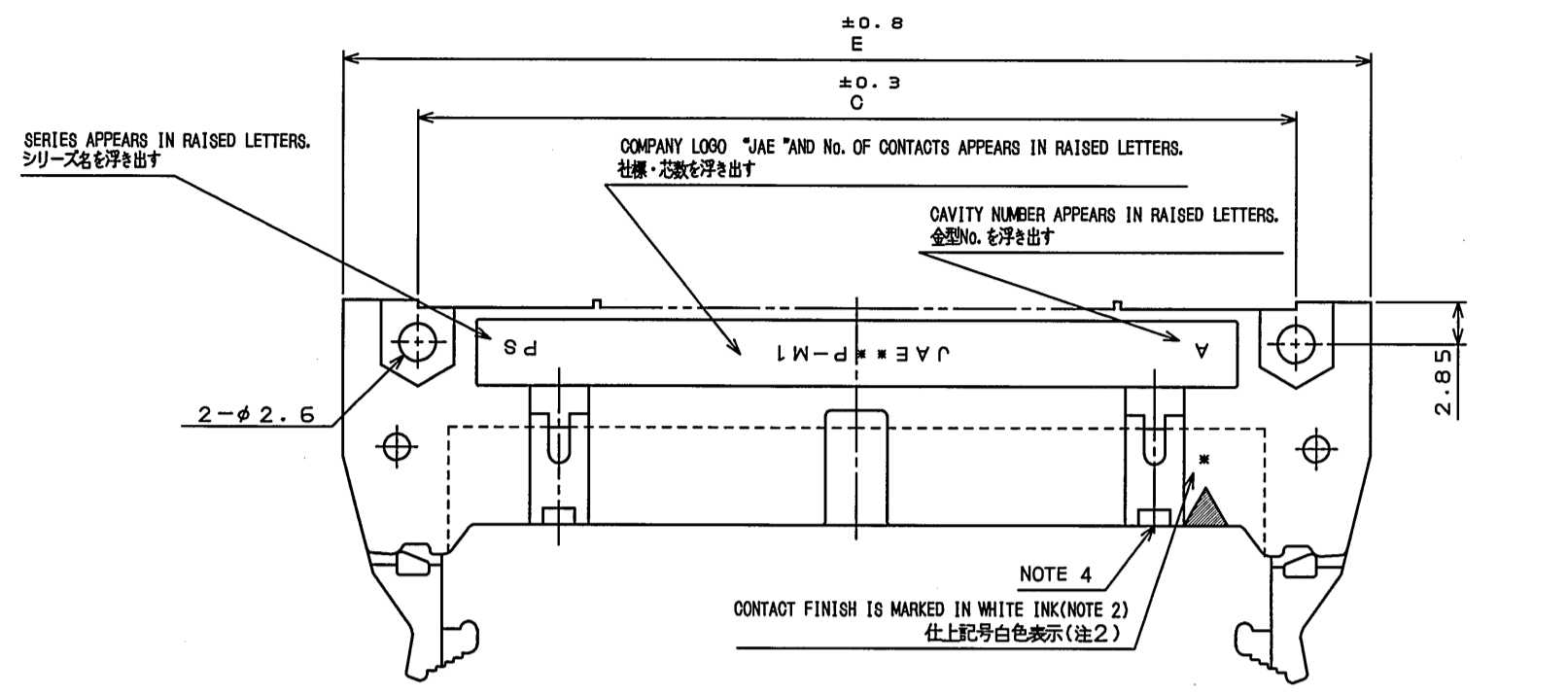


TABLE 1 PART No. OF CONTACTS AND DIMENSIONS  
表1 名称、芯数及び寸法A、B、C、D、E

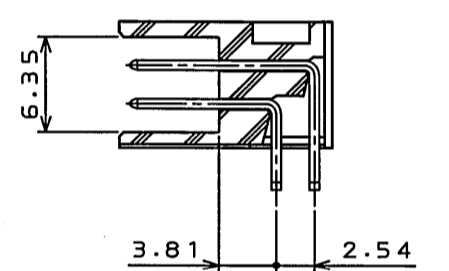
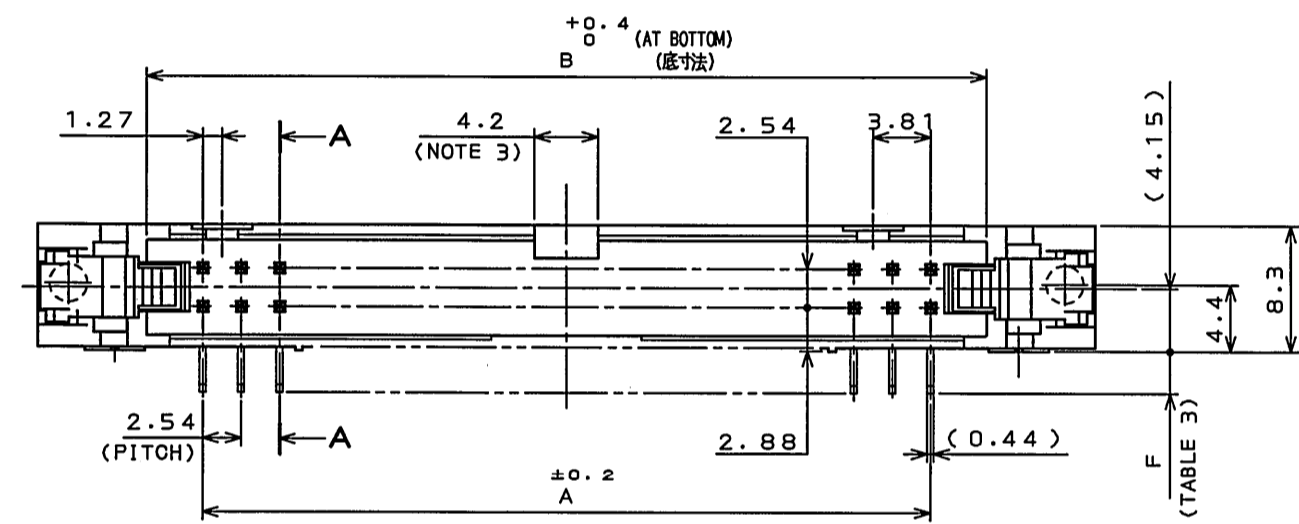
PART No. 名称	No. OF CONTACTS 芯数	A	B	C	D	E
PS-10PE-D4LT*-M*E	10	10.16	17.53	21.84	27.94	32
PS-16PE-D4LT*-M*E	16	17.78	25.15	29.46	35.56	39.6
PS-20PE-D4LT*-M*E	20	22.86	30.23	34.54	40.64	44.7
PS-26PE-D4LT*-M*E	26	30.48	37.85	42.16	48.26	52.3
PS-30PE-D4LT*-M*E	30	35.56	42.93	47.24	53.34	57.4
PS-34PE-D4LT*-M*E	34	40.64	48.01	52.32	58.42	62.5
PS-40PE-D4LT*-M*E	40	48.26	55.63	59.94	66.04	70.1
PS-50PE-D4LT*-M*E	50	60.96	68.33	72.64	78.74	82.8
PS-60PE-D4LT*-M*E	60	73.66	81.03	85.34	91.44	95.5

TABLE 2 CONTACT FINISH  
表2 仕上

FINISH 仕上	CONTACT AREA 接触部	TERMINAL AREA 結線部
1	GOLD(0.1μm MIN.) OVER NICKEL Ni上Au0.1μm以上	GOLD(0.3μm MIN.) OVER NICKEL Ni上Au0.3μm以上
2	GOLD(0.1μm MIN.) OVER NICKEL Ni上Au0.1μm以上	(LEAD FREE)TIN/TIN ALLOY OVER NICKEL Ni上錫又は鉛合金(無鉛)
3	GOLD(0.76μm MIN.) OVER NICKEL Ni上Au0.76μm以上	GOLD(0.76μm MIN.) OVER NICKEL Ni上Au0.76μm以上

TABLE 3 TERMINAL LENGTH  
表3 結線部長さ

	1	2
F	2.8	3.3



SECT. A-A  
(EXCLUDING LEVER)

NOTE1. THE FOUR CORNERS OF TERMINAL AREA SHALL BE BASHED TO BE INSERTED INTO 0.7 mm DIAMETER CAVITY.  
2. CONTACT FINISH MARKING IN WHITE INK.

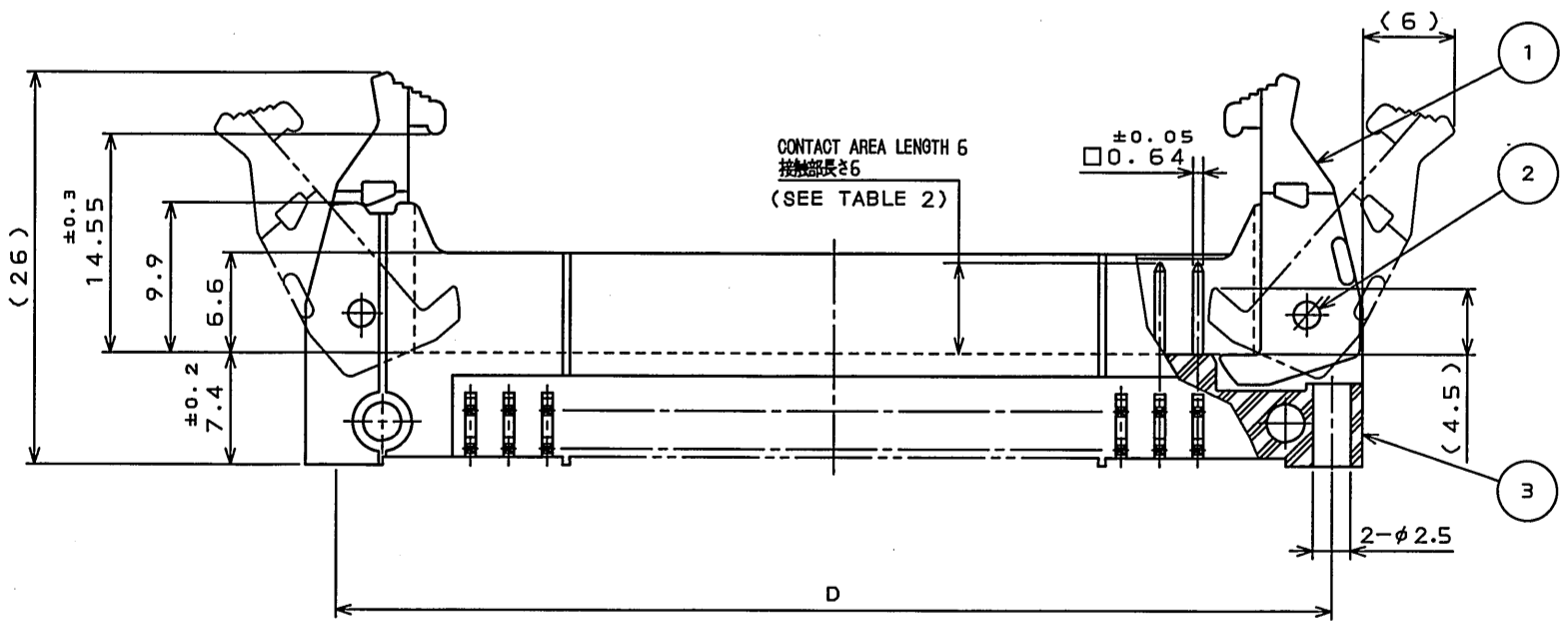
MARKING	表示
1	NONE
2	2 MARKED IN WHITE INK
3	3 MARKED IN WHITE INK

3. ONE POLARIZING GROOVE IS PROVIDED AT THE CENTER. NO POLARIZING GROOVE IS PROVIDED FOR 10-POSITION CONNECTOR.  
4. TWO POLARIZING KEYS ARE PROVIDED, FOR 10-POSITION CONNECTOR. NO POLARIZING KEY IS PROVIDED ON THE ▲ MARKED SIDE, BUT ONE POLARIZING KEY IS PROVIDED ON THE OTHER SIDE.

注1. 結線部は0.64×0.44を四隅面打しφ0.7に挿入できる。  
2. 仕上記号白色捺印

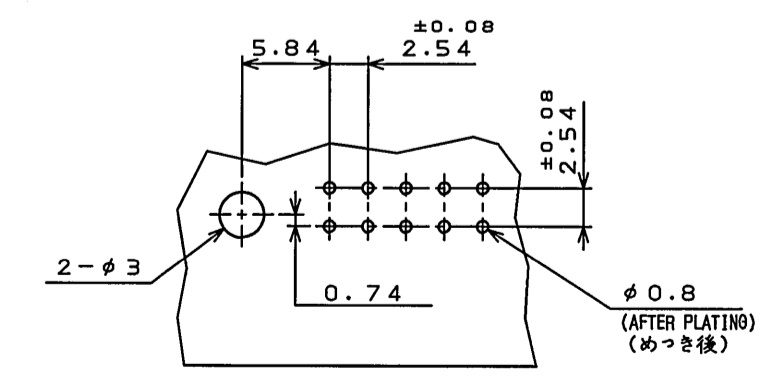
仕上記号	表示
1	無表示
2	2を白色捺印
3	3を白色捺印

3. 誤挿入防止溝を中心に1ヶ設ける。但し、10芯は無し。  
4. 極性キ取付部を2ヶ所設ける。但し、10芯は▲マーク側の極性キ取付部は無し。反対側の1ヶ所設けてある。



DESIGNATION  
命名法

PS-\*\*\*PE-D4LT\*-M\*E  
 (LEAD FREE)TIN/TIN ALLOY  
 錫又は鉛合金(無鉛)  
 FINISH(SEE TABLE 2)  
 仕上(表2参照)  
 PIN HEADER WITH LATCH(WITH POLARIZING KEY)  
 ロック付ピンヘッド(極性キ付)  
 TERMINAL AREA LENGTH(SEE TABLE 3)  
 結線部長さ(表3参照)  
 THROUGH HOLE(TERMINATION)  
 スルーホール(ターミネーション)  
 ANGLE TYPE  
 アンクルタイプ  
 DOUBLE ROW 2.54mm SPACE  
 2列2.54ピッチ  
 CONTACT AREA LENGTH  
 接触部長さ  
 PIN SIDE  
 ピン側  
 No. OF CONTACTS(SEE TABLE 1)  
 芯数(表1参照)



P.C.B. HOLE PATTERNS (REF.)  
基板取付寸法(参考)

5	LOWER POST	TABLE1	COPPER ALLOY	SEE TABLE 2
4	UPPER POST	TABLE1	COPPER ALLOY	SEE TABLE 2
3	INSULATOR	1	P. B. T	UL94V-0 COLOR:BLACK
2	SPRING PIN	2	STAINLESS STEEL	PASSIVATE
1	LEVER	2	NYLON	UL94V-0 COLOR:BLACK

符号	名称	個数	材料	仕上	備考
NO.	DESCRIPTION	QTY.	MATERIAL	FINISH	REMARKS
仕様書(SPECIFICATION)	第1版(ORIGINAL DATE)	29.Dec.2004	製図 DR. H.SAKURADA	名称(TITLE)	日本航空電子工業株式会社
公差(GENERAL TOLERANCE)	製図 DR.		担当 CHK. N.UCHIYAMA	シリーズ(SERIES)	JAE CONNECTOR DIV. PROPRIETARY.
寸法(DIMENSION)	製図 APPD. Y.YAHIRO		承認 APPD. K.HISATOMI	名称(TITLE)	参考 JAPAN AVIATION ELECTRONICS INDUSTRY, LTD.
. ±0.8	° ±			PS-***PE-D4LT*-M*E	
.X ±0.4	°X ±			PIN HEADER	図面番号(DRAWING NO.)
.XX ±0.1	°XX ±				sj101471
.XXX ±					版数 (REV.)