



Chipsmall Limited consists of a professional team with an average of over 10 year of expertise in the distribution of electronic components. Based in Hongkong, we have already established firm and mutual-benefit business relationships with customers from,Europe,America and south Asia,supplying obsolete and hard-to-find components to meet their specific needs.

With the principle of “Quality Parts,Customers Priority,Honest Operation,and Considerate Service”,our business mainly focus on the distribution of electronic components. Line cards we deal with include Microchip,ALPS,ROHM,Xilinx,Pulse,ON,Everlight and Freescale. Main products comprise IC,Modules,Potentiometer,IC Socket,Relay,Connector.Our parts cover such applications as commercial,industrial, and automotives areas.

We are looking forward to setting up business relationship with you and hope to provide you with the best service and solution. Let us make a better world for our industry!



Contact us

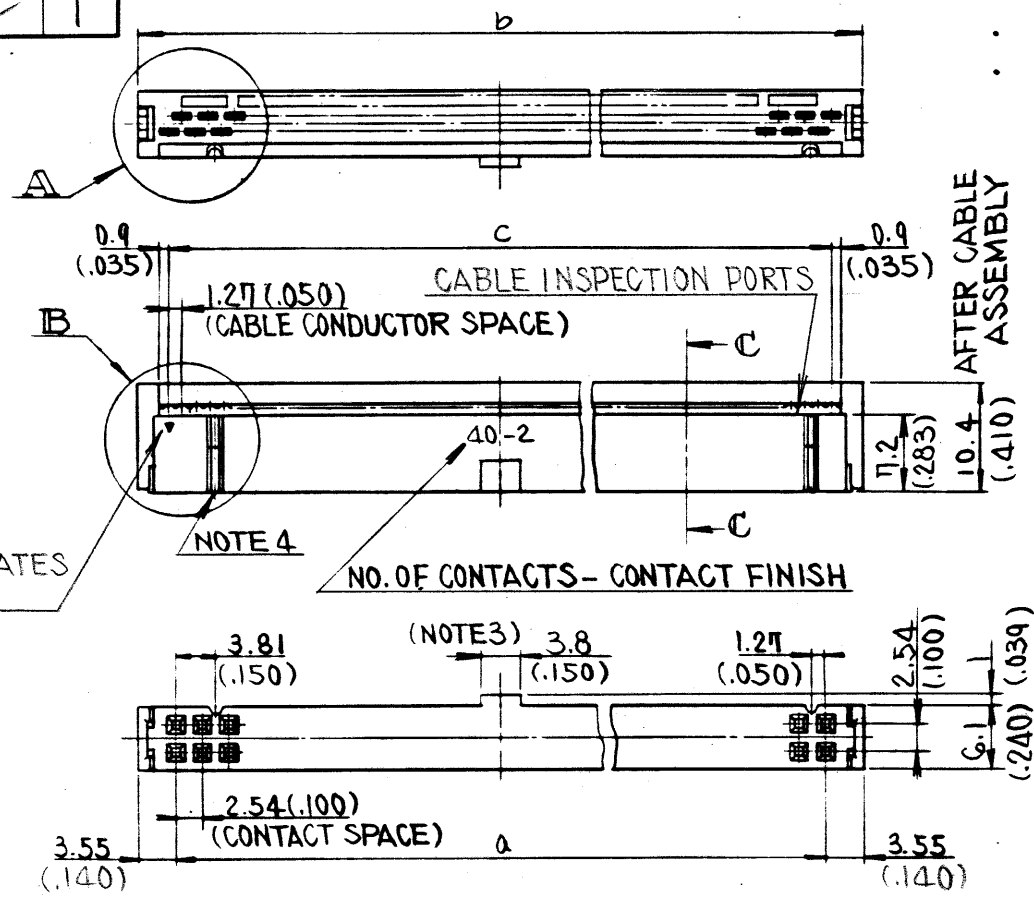
Tel: +86-755-8981 8866 Fax: +86-755-8427 6832

Email & Skype: info@chipsmall.com Web: www.chipsmall.com

Address: A1208, Overseas Decoration Building, #122 Zhenhua RD., Futian, Shenzhen, China



SJ017714-E 1



NOTE 1, CONTACT FINISH

			4
			GOLD, 20 MICROINCHES OVER NICKEL
			GOLD FLASH
			3
MATING PORTION	1	2	GOLD, 10 MICROINCHES OVER NICKEL
OTHER AREA	GOLD FLASH	GOLD FLASH	GOLD, 30 MICROINCHES OVER NICKEL
			GOLD FLASH

- 2, COVER WILL BE SUPPLIED PARTIALLY ASSEMBLED TO THE HOUSING AS SHOWN.
- 3, THE POLARIZING KEY IS NON-EXISTENT ON THE 10 POSITION CONNECTOR.
- 4, THE POLARIZING FEATURE ON THIS END IS NON-EXISTENT ON THE 10 POSITION CONNECTOR.

IDENTIFICATION

PS-50 SM-D4PI-*C

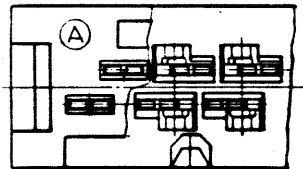
SERIES PREFIX	NO. OF CONTACTS (SEE TABLE 1)	TYPE OF CONNECTOR	CONTACT CONFIGURATION	CONTACT ROW	CONTACT SPACE	COVER CONFIGURATION	CONTACT FINISH (SEE NOTE 1)	APPLICABLE WIRE SIZE	TYPE OF TERMINATION
		S - SOCKET CONTACT RESEPTACLE	D - DOUBLE	D - DOUBLE	4 - 2.54 (.100)	C - CLOSED END TYPE		1 - AWG 28 STRANDED AND SOLID	P - SELF PIERCING (INSULATION DISPLACEMENT)

TABLE 1. PART NO., NO. OF CONTACTS AND DIMENSIONS

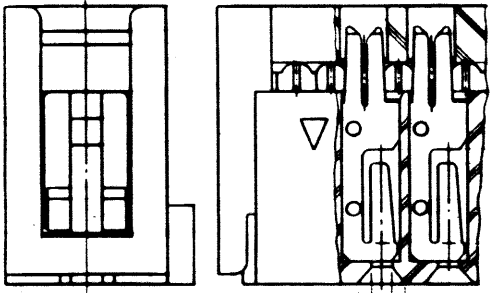
PART NO.	NO. OF CONTACTS	DIMENSIONS		
		a	b	c
PS-10SM-D4PI-*C	10	10.16 (.400)	17.26 (.680)	11.43 (.450)
↑ 16 ↑	↑ 16 ↑	↑ 17.78 (.700) ↑	↑ 24.88 (.980) ↑	↑ 19.05 (.750) ↑
20	20	22.86 (.900)	29.96 (1.180)	24.13 (.950)
26	26	30.48 (1.200)	37.58 (1.480)	31.75 (1.250)
30	30	35.56 (1.400)	42.66 (1.680)	36.83 (1.450)
34	34	40.64 (1.600)	47.74 (1.880)	41.91 (1.650)
40	40	48.26 (1.900)	55.36 (2.180)	49.53 (1.950)
↓ 50 ↓	↓ 50 ↓	↓ 60.96 (2.400) ↓	↓ 68.06 (2.680) ↓	↓ 62.23 (2.450) ↓
PS-60SM-D4PI-*C	60	73.66 (2.900)	80.76 (3.180)	74.93 (2.950)

APPLICABLE FLAT RIBBON CABLES.
 CONDUCTOR AWG 28 STRANDED AND SOLID.
 INSULATION P.V.C. MAXIMUM THICKNESS: 1.1 (.044)
 MATING PIN CROSS SECTION: 0.64 (.025) SQ. OR 0.64 (.025) DIA.
 LENGTH 6~7 (.236~.276)

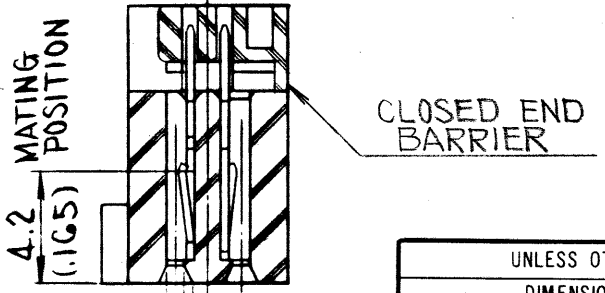
DETAIL A



DETAIL B



SECTION C-C



3	HOUSING	1	P.B.T	NONE	UL94V-0
2	COVER	1	P.B.T	NONE	UL94V-0
1	CONTACT	SEE TABLE 1	BERYLLIUM COPPER	SEE NOTE 1.	
ITEM	DESCRIPTION	Q'TY	MATERIAL	FINISH	REMARK

UNLESS OTHERWISE SPECIFIED DIMENSIONS ARE IN MILLIMETERS TOLERANCES ON: (INCHES)			DATE 20 JAN. 1983		PS-**SM-D4PI-JAE-CONNECTOR.COM SOCKET RECEPTACLE CLOSED END TYPE		JAPAN AVIATION ELECTRONICS IND. CO., LTD. NARAGAMI-CHO, AKISHIMA-SHI TOKYO, JAPAN	
FRACTIONS	DECIMALS	ANGLES	DRAWN	CHECKED			Reference Only DWG. NO. SJ017714-E SHEET	
		3rd	APP'D	APP'D				
TREATMENT OR FINISH			APP'D	T. Yajima				
NEXT ASS'Y			SCALE NONE					
USED ON			DWG. SIZE B		WT.			
NEXT ASS'Y			APPLICATION		QTY REQ'D			