



Chipsmall Limited consists of a professional team with an average of over 10 year of expertise in the distribution of electronic components. Based in Hongkong, we have already established firm and mutual-benefit business relationships with customers from,Europe,America and south Asia,supplying obsolete and hard-to-find components to meet their specific needs.

With the principle of “Quality Parts,Customers Priority,Honest Operation,and Considerate Service”,our business mainly focus on the distribution of electronic components. Line cards we deal with include Microchip,ALPS,ROHM,Xilinx,Pulse,ON,Everlight and Freescale. Main products comprise IC,Modules,Potentiometer,IC Socket,Relay,Connector.Our parts cover such applications as commercial,industrial, and automotives areas.

We are looking forward to setting up business relationship with you and hope to provide you with the best service and solution. Let us make a better world for our industry!



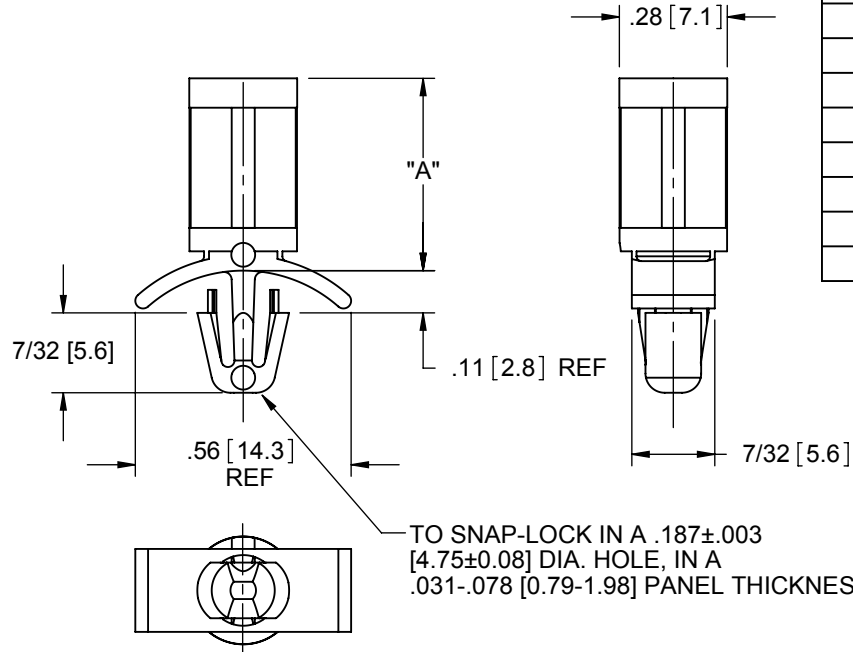
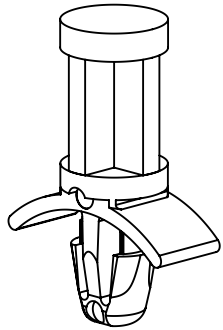
## Contact us

Tel: +86-755-8981 8866 Fax: +86-755-8427 6832

Email & Skype: info@chipsmall.com Web: www.chipsmall.com

Address: A1208, Overseas Decoration Building, #122 Zhenhua RD., Futian, Shenzhen, China

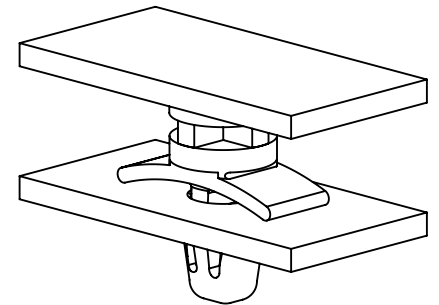




MATERIAL: NYLON 6/6 UL 94 V-2 (RMS-01) COLOR: NATURAL PART NO.	MATERIAL: NYLON 6/6 UL 94 V-0 (RMS-19) COLOR: NATURAL PART NO.	DIM. "A" $\pm .015 [0.4]$
PS-3-01	PS-3-19	3/16 [4.8]
PS-4-01	PS-4-19	1/4 [6.4]
PS-6-01	PS-6-19	3/8 [9.5]
PS-7-01	PS-7-19	7/16 [11.1]
PS-8-01	PS-8-19	1/2 [12.7]
PS-9-01	PS-9-19	9/16 [14.3]
PS-10-01	PS-10-19	5/8 [15.9]
PS-12-01	PS-12-19	3/4 [19.1]
PS-14-01	PS-14-19	7/8 [22.2]

**NOTES:**

1. MATERIAL: "IMPACT MODIFIED" NYLON 6/6 (RMS-73) AVAILABLE BY SPECIAL ORDER ONLY. TO ORDER RELACE "-01" WITH "-73". MATERIAL: " HEAT RESISTANT" NYLON 4/6 UL 94 V-2 (RMS-109) AVAILABLE BY SPECIAL ORDER ONLY. TO ORDER REPLACE "-01" WITH "-109"
2. COLOR: BLACK AVAILABLE BY SPECIAL ORDER ONLY. TO ORDER ADD SUFFIX "BK" TO PART NO.
3. PART IS ALSO AVAILABLE IN A 1/8 (3.2) THICK CHASSIS BY SPECIAL ORDER ONLY. TO ORDER USE P/N: PS-2-XX-XX



TYPICAL APPLICATION

TITLE: PUSH SPACER			UNITS: IN [mm]		FINAL	
I	ADDED PS-9, ECN # 1368	DZ 07/03/2012	FILE #: PS	DWN: SK	APP: SK	PART #
H	SEE ECN #1208 FOR CHANGES	SK 11/29/2006	SHEET: 1 OF 1	SHEET SIZE: A	DT: 02/24/05	
G	SEE ECN #1196 FOR CHANGES	SK 07/17/2006	RE: RICHCO, INC.	RICHCO, INC.		PRINT TYPE
F	COMPLETELY REDRAWN, SEE ECN #949	SK 02/24/2005	RICHCO, INC.		CA	
-	SEE ENGINEERING FOR REVISIONS A-E	-	ENG@RICHCO-INC.COM		(773) 539-4060	
REV.	DESCRIPTION	ENGR. DATE	TOLERANCES UNLESS NOTED .XX= $\pm .010$ .XXX= $\pm .005$ FRAC.= $\pm 1/64$ ANG.= $\pm 1^\circ$			