



Chipsmall Limited consists of a professional team with an average of over 10 year of expertise in the distribution of electronic components. Based in Hongkong, we have already established firm and mutual-benefit business relationships with customers from,Europe,America and south Asia,supplying obsolete and hard-to-find components to meet their specific needs.

With the principle of “Quality Parts,Customers Priority,Honest Operation,and Considerate Service”,our business mainly focus on the distribution of electronic components. Line cards we deal with include Microchip,ALPS,ROHM,Xilinx,Pulse,ON,Everlight and Freescale. Main products comprise IC,Modules,Potentiometer,IC Socket,Relay,Connector.Our parts cover such applications as commercial,industrial, and automotives areas.

We are looking forward to setting up business relationship with you and hope to provide you with the best service and solution. Let us make a better world for our industry!



Contact us

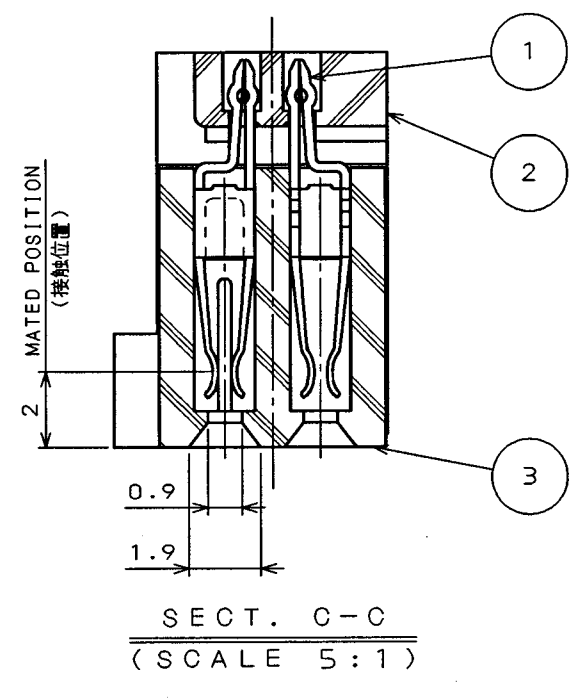
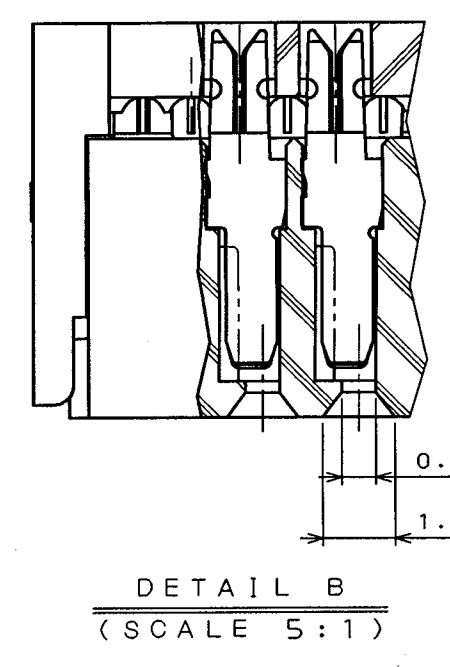
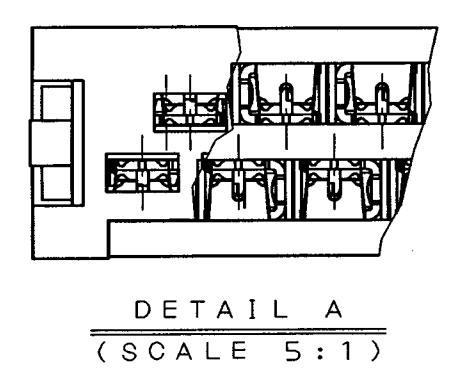
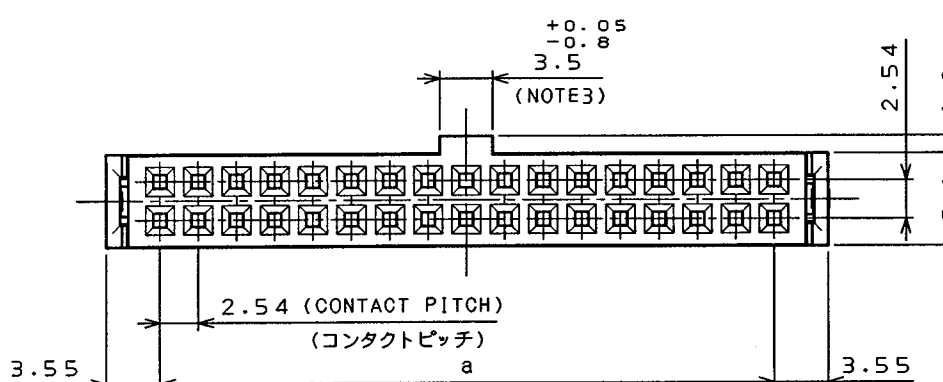
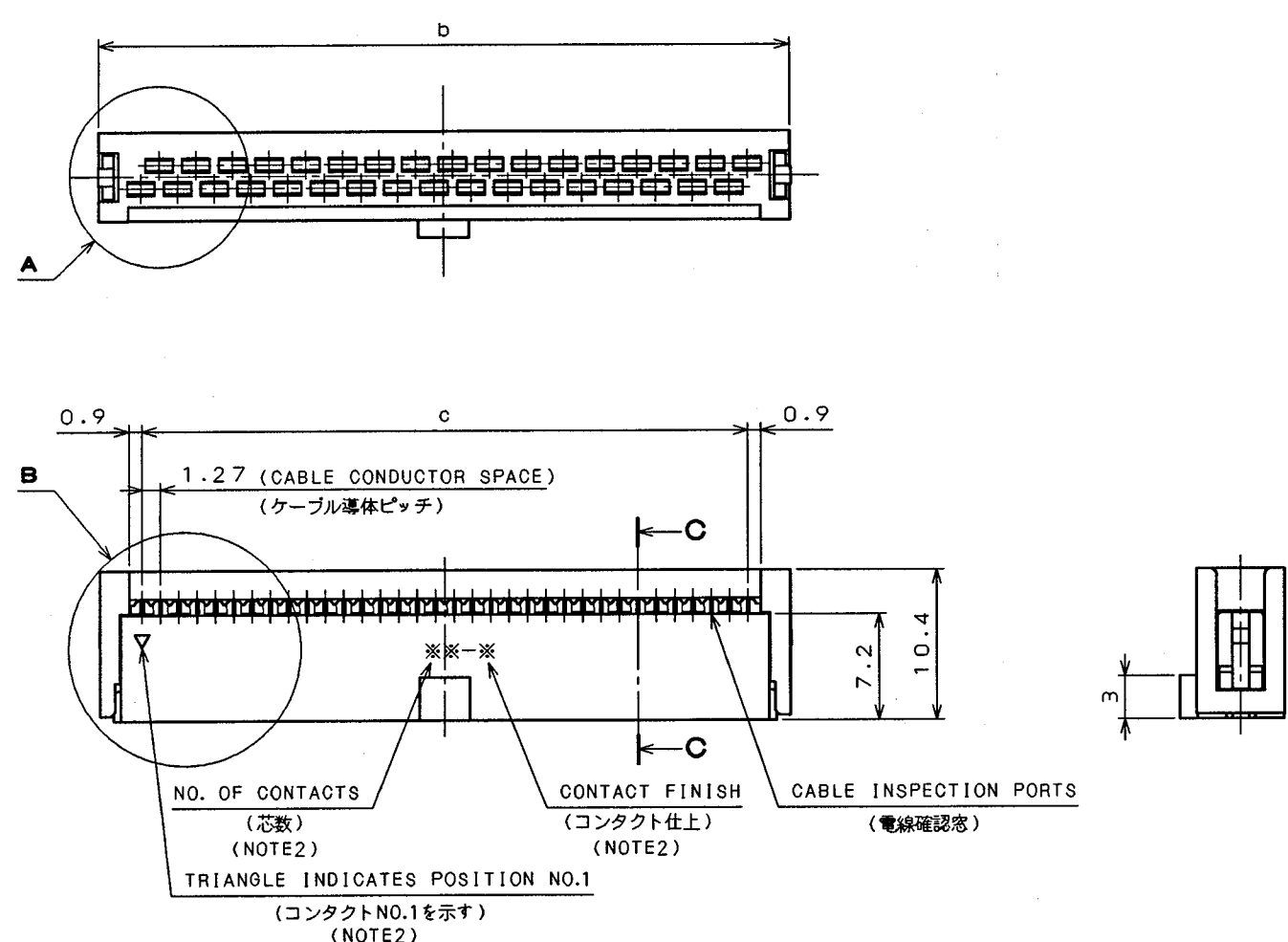
Tel: +86-755-8981 8866 Fax: +86-755-8427 6832

Email & Skype: info@chipsmall.com Web: www.chipsmall.com

Address: A1208, Overseas Decoration Building, #122 Zhenhua RD., Futian, Shenzhen, China



版数 REV.	年月日 DATE	DCN NO.	変更内容 DESCRIPTION	製図 DR.	担当 CHK.	査閲 APPD.	承認 APPD.
4	16.Nov.1999	45132	REDRAWN		M.SASAKI	M.Matsumoto	H.Yasui



DESIGNATION

命名法

PS-50SEN-D4P1-※C

カバー形態
D:デイズィ・チェーンタイプ(連続結線用)
C:クローズド・エンドタイプ
COVER CONFIGURATION
D:"DAISY-CHAIN" TYPE
C:"CLOSED-END" TYPE

仕上(TABLE2参照)
CONTACT FINISH(SEE TABLE2)

適用電線サイズ(適用リボンケーブル仕様参照)
APPLICABLE WIRE SIZE(SEE "APPLICABLE FLAT RIBBON CABLES")

結線形態(P:圧接結線)
TYPE OF TERMINATION(P:SELF PIERCING(INSULATION DISPLACEMENT))

コンタクトピッチ(4:2.54ピッチ)
CONTACT SPACING(4-2.54 CENTER TO CENTER)

コンタクト列数(D:2列)
CONTACT ROW(D:DOUBLE)

コンタクトタイプ(EN:2片持梁・新タイプ)
CONTACT CONFIGURATION(EN:DUAL CANTILEVER,NEW TYPE)

コネクタタイプ(S:雌側)
TYPE OF CONNECTOR(S:SOCKET CONTACT RECEPTACLE)

芯数(TABLE1参照)
NUMBER OF CONTACTS(SEE TABLE1)

シリーズ名
SERIES PREFIX

TABLE 2. CONTACT FINISH

FINISH ※	1	2	3
CONTACT AREA 接触部	GOLD(0.1μm MIN.) OVER NICKEL Ni上Au0.1μm以上	GOLD(0.3μm MIN.) OVER NICKEL Ni上Au0.3μm以上	GOLD(0.75μm MIN.) OVER NICKEL Ni上Au0.75μm以上
OTHER その他	GOLD FLASH OVER NICKEL Ni上Auフラッシュ	GOLD FLASH OVER NICKEL Ni上Auフラッシュ	GOLD FLASH OVER NICKEL Ni上Auフラッシュ

TABLE 1 PART NO., NO. OF CONTACTS AND DIMENSIONS

名称 PART NO.	芯数 NO. OF CONTACT	寸法 DIMENSIONS		
		a	b	c
PS-10SEN-D4P1-※C	10	10.16	17.26	11.43
16	16	17.78	24.88	19.05
20	20	22.86	29.96	24.13
26	26	30.48	37.58	31.75
30	30	35.56	42.66	36.83
34	34	40.64	47.74	41.91
40	40	48.26	55.36	49.53
50	50	60.96	68.06	62.23
PS-60SEN-D4P1-※C	60	73.66	80.76	74.93

APPLICABLE FLAT RIBBON CABLES
1.CONDUCTOR:AWG#28, STRANDED AND SOLID
2.INSULATION:P.V.C. MAXIMUM THICKNESS 1.1mm
適用リボンケーブル仕様
1.導体:φ0.12-7本燃錫めっき軟銅線(AWG#28相当)
φ0.32 単芯錫めっき軟銅線(AWG#28相当)
2.絶縁物:軟質塩化ビニール 最大厚さ1.1mm.

MATING PIN
CROSS SECTION:0.64mm SQ. OR 0.64mm DIA.
LENGTH:5 ~ 7mm
適用コンタクト
ピン断面:□0.64mm 又は φ0.64mm
ピン長さ:5 ~ 7mm

NOTE1.COVER WILL BE SUPPLIED PARTIALLY ASSEMBLED TO THE HOUSING AS SHOWN.
NOTE2.TRIANGLE MARK AND NO. OF CONTACT AND CONTACT FINISH AS INDICATED.(SEE TABLE3)
NOTE3.FOR THE 50 OR 60 CONTACT CONNECTORS, TWO POLARIZING KEY OF WHICH DISTANCE IS 22.86mm, ARE PROVIDED AT THE CENTER OF THE HOUSING. FOR THE OTHER CONTACT CONECTORS, ONE POLARIZING KEY IS PROVIDED AT THE CENTER OF THE HOUSING.

注1.カバーと本体(コンタクトを挿入したハウジング)は図の如く半挿入の状態にて納入する。
注2.図示の位置に三角マーク、芯数、コンタクト仕上記号を表示する。(TABLE3参照)
注3.誤挿入防止キを50,60芯はセンター振り分けにて22.86の間隔で2ヶ所、その他の芯数は中心に1ヶ所設ける。

TABLE 3

FINISH CODE 仕上記号※	MARKING 表示
1	NO MARKING 無表示
2	2
3	3

3	HOUSING	1	PBT		UL94V-0
2	COVER	1	NYLON		UL94V-0
1	CONTACT	TABLE 1	BERYLLIUM COPPER	TABLE 2	
符号 NO.	名称 DESCRIPTION	個数 QTY.	材料 MATERIAL	仕上 FINISH	備考 REMARKS
仕様書(SPECIFICATION)	JACS-1145	第1版(ORIGINAL DATE)	15.AUG.1979	シリーズ(SERIES)	PS
製図 DR.	YANAGINUMA	製図 DR.	YANAGINUMA	名称(TITLE)	PS-※※SEN-D4P1-※C
担当 CHK.	Y.HAYASHIDA	担当 CHK.	Y.HAYASHIDA	製図 DR.	YANAGINUMA
査閲 APPD.		査閲 APPD.		名称(TITLE)	PS-※※SEN-D4P1-※C
承認 APPD.	T.YAJIMA	承認 APPD.	T.YAJIMA	重量(WEIGHT)	図面番号(DRAWING NO.)
					SJ016143

