



Chipsmall Limited consists of a professional team with an average of over 10 year of expertise in the distribution of electronic components. Based in Hongkong, we have already established firm and mutual-benefit business relationships with customers from,Europe,America and south Asia,supplying obsolete and hard-to-find components to meet their specific needs.

With the principle of “Quality Parts,Customers Priority,Honest Operation,and Considerate Service”,our business mainly focus on the distribution of electronic components. Line cards we deal with include Microchip,ALPS,ROHM,Xilinx,Pulse,ON,Everlight and Freescale. Main products comprise IC,Modules,Potentiometer,IC Socket,Relay,Connector.Our parts cover such applications as commercial,industrial, and automotives areas.

We are looking forward to setting up business relationship with you and hope to provide you with the best service and solution. Let us make a better world for our industry!



## Contact us

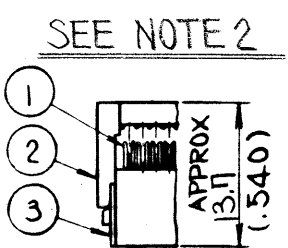
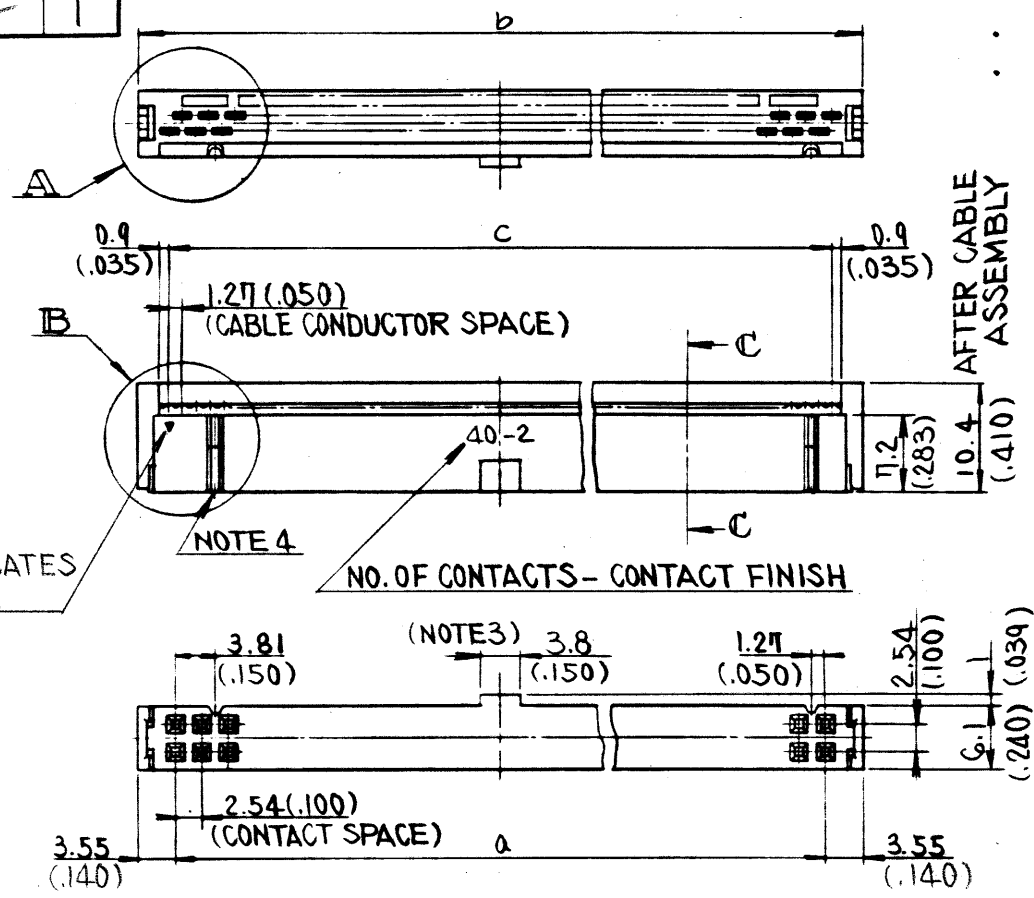
Tel: +86-755-8981 8866 Fax: +86-755-8427 6832

Email & Skype: info@chipsmall.com Web: www.chipsmall.com

Address: A1208, Overseas Decoration Building, #122 Zhenhua RD., Futian, Shenzhen, China



SJ017713-E 1



TRIANGLE INDICATES POSITION NO.1

**NOTE 1. CONTACT FINISH**

	4		
	GOLD. 20 MICROINCHES OVER NICKEL		
	GOLD FLASH		
	3		
MATING PORTION	1	2	3
OTHER AREA	GOLD FLASH	GOLD. 10 MICROINCHES OVER NICKEL	GOLD. 30 MICROINCHES OVER NICKEL
	GOLD FLASH		

- 2, COVER WILL BE SUPPLIED PARTIALLY ASSEMBLED TO THE HOUSING AS SHOWN.
- 3, THE POLARIZING KEY IS NON-EXISTENT ON THE 10 POSITION CONNECTOR.
- 4, THE POLARIZING FEATURE ON THIS END IS NON-EXISTENT ON THE 10 POSITION CONNECTOR.

**IDENTIFICATION**

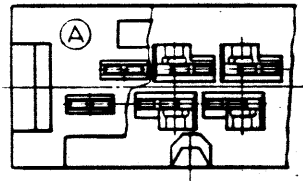
PS-50SM-D4PI-*D							
SERIES PREFIX	NO. OF CONTACTS (SEE TABLE 1)	TYPE OF CONNECTOR	CONTACT CONFIGURATION	CONTACT ROW	CONTACT SPACE	COVER CONFIGURATION	CONTACT FINISH (SEE NOTE 1)
S - SOCKET CONTACT RESEPTACLE	4 - 2.54 (.100)	D - DOUBLE	D - DAISY-CHAIN TYPE	1 - AWG 28 STRANDED AND SOLID	P - SELF PIERCING (INSULATION DISPLACEMENT)	D - DAISY-CHAIN TYPE	APPLICABLE WIRE SIZE

**TABLE 1. PART NO., NO. OF CONTACTS AND DIMENSIONS**

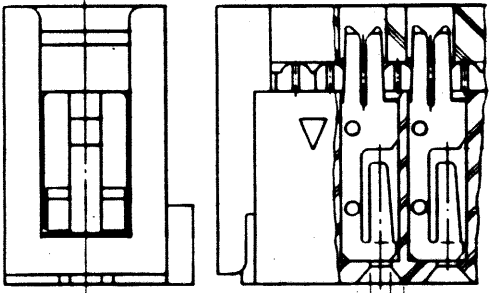
PART NO.	NO. OF CONTACTS	DIMENSIONS		
		a	b	c
PS-10SM-D4PI-*D	10	10.16 (.400)	17.26 (.680)	11.43 (.450)
↑ 16 ↑	↑ 16 ↑	↑ 17.78 (.700) ↑	↑ 24.88 (.980) ↑	↑ 19.05 (.750) ↑
20	20	22.86 (.900)	29.96 (1.180)	24.13 (.950)
26	26	30.48 (1.200)	37.58 (1.480)	31.75 (1.250)
30	30	35.56 (1.400)	42.66 (1.680)	36.83 (1.450)
34	34	40.64 (1.600)	47.74 (1.880)	41.91 (1.650)
40	40	48.26 (1.900)	55.36 (2.180)	49.53 (1.950)
↓ 50 ↓	↓ 50 ↓	↓ 60.96 (2.400) ↓	↓ 68.06 (2.680) ↓	↓ 62.23 (2.450) ↓
PS-60SM-D4PI-*D	60	73.66 (2.900)	80.76 (3.180)	74.93 (2.950)

APPLICABLE FLAT RIBBON CABLES.  
 CONDUCTOR AWG 28 STRANDED AND SOLID.  
 INSULATION P.V.C. MAXIMUM THICKNESS: 1.1 (.044)  
 MATING PIN CROSS SECTION: 0.64 (.025) SQ. OR 0.64 (.025) DIA.  
 LENGTH 6~7 (.236~.276)

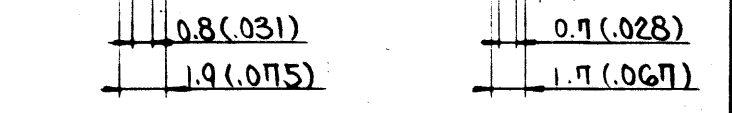
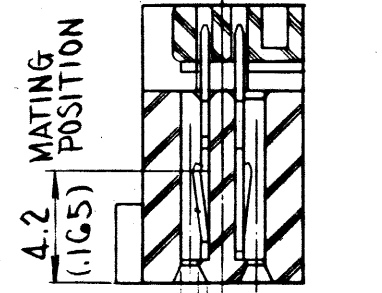
**DETAIL A**



**DETAIL B**



**SECTION C-C**



3	HOUSING	1	P.B.T	NONE	UL94V-0
2	COVER	1	P.B.T	NONE	UL94V-0
1	CONTACT	SEE TABLE 1	BERYLLIUM COPPER	SEE NOTE 1	
ITEM	DESCRIPTION	Q'TY	MATERIAL	FINISH	REMARK

UNLESS OTHERWISE SPECIFIED DIMENSIONS ARE IN MILLIMETERS TOLERANCES ON: (INCHES)			DATE 20 JAN. 1983		<b>PS-*SM-D4PI-*D</b> <b>SOCKET RECEPTACLE</b> <b>DAISY CHAIN TYPE</b>		JAPAN AVIATION ELECTRONICS IND. CO. LTD. FACTORY			
FRACTIONS	DECIMALS	ANGLES	DRAWN H. Tsuchiya				Reference Only			
		3rd	CHECKED M. Higashida				NAGAMACHO, TAKISHIMA-SHI TOKYO, JAPAN			
TREATMENT OR FINISH			APP'D T. Yajima				DWG. NO. <b>SJ017713-E</b>			
NEXT ASS'Y		USED ON	NEXT ASS'Y		FINAL ASS'Y	SCALE NONE		DWG. SIZE B	WT.	SHEET
APPLICATION		QT'Y REQ'D								